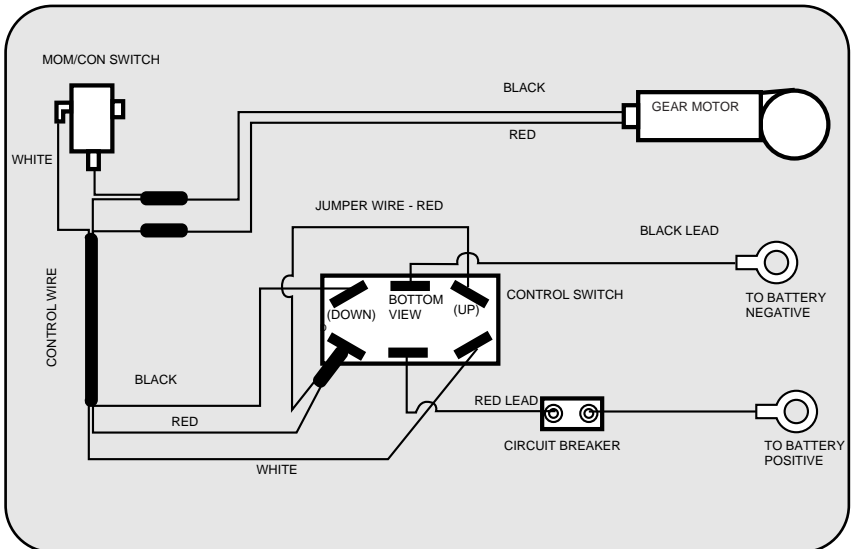


Item	Part	Description
1	2370200	Cover DH-18
	2370201	Cover DH-35
2	2303005	Pig Ring (2 ea DH-18)
	2303006	Pig Ring (2 ea DH-35)
3	2372121	Screw-#8-18x 1-1/2 Stallgrd (2 ea)
4	2372111	Screw-#8-18x3/4 Stallgrd (2 ea)
■	2377800	Motor Assembly - DeckHand (includes items #6-13)
6	2375400	Shrink Tube 1/4x1-3/4 (2 ea)
7	2355410	Shrink Tube 3/8x2 (DH-35)
8	350-154	Gear
9	990-077	Washer - Nylatron (2 ea)
10	990-075	Washer - Steel
11	337-015	Gasket
11a	410-015	Cover-Housing
12	830-036	Screw - 10-32x.375 (4 ea)
13	2373002	Snap Ring
14	2223455	Screw-#10-32x1/2 (3 .ea)
14a	2261718	Washer- Lock Star #10 Ext Tooth (3 ea)
15	2377900	Spool includes 60' rope
16	2370000	Bearing-Spool
17	2263010	E-Ring 3/8 Dia Shaft
18	2371900	Base- Mounting E-Coat
19	2374010	Switch-Momentary Anchor
20	2372130	Screw-#4-40x3/4 PPH (2 ea)
21	2373100	Nut-Con/Mom Swt Anchor (2 ea)
22	2372700	Spring-Anchor
23	2372900	Grommet-Anchor Cover Short (2 ea)
24	2372910	Grommet-Anchor Cover Long (2 ea)
25	2376300	Wire- Routing Clip (2 ea)
■	2994803	Bag Assembly (includes 26-30)
26	2153501	Bolt- Mounting 3500 w/stallgd (4 ea)
27	2301720	Mounting Washer-Rubber (6 ea)
29	2151726	Washer 5/16 STD SS (4 ea)
30	2153100	Nut 5/16 (4 .ea)
32	2378000	Anchor-Upper Half
33	2378100	Anchor-Lower Half
34	2372100	Screw #8-18x5/8 (as required)
35	2372800	Keeper Block
36	2373600	Lock Pin-Anchor
38	2376700	Plug-Anchor
39	2374000	Switch-Control Anchor
40	2376500	Switch Housing (DH- 18)
	2376501	Switch Housing (DH-35)
41	2376510	Switch Plate
42	2372150	Screw-Switch Plate 6-20x1/2 (3 ea)
43	2370700	Control Wire (DH-18)
	2370701	Control Wire (DH-35)
44	2370602	Leadwire (DH- 18)
	2370603	Leadwire (DH-35)
45	2371610	Rope Guide
46	2372710	Spring-Rope Guide
47	2151700	Washer- Eye Shaft (2 ea)
48	2372615	Cotter Pin 3/32x3/4 (2 ea)
49	2378202	Circuit Breaker
50	2372031	Tubing- Heat Shrink
51	2370300	Connecting Wire
52	2371412	Connecting Cable 14ga (DH-18)
	2371410	Connecting Cable 10ga (DH-35)
53	2378410	Davit Assembly (includes items #54-59)
54	2774800	Large Roller Assembly
55	2774801	Small Roller Assembly
56	2774802	Sleeve Roller Assembly
57	2774803	Safety Chain Assembly
58	2774804	Safety Pin Assembly
59	2774805	Mounting Bolts and Nuts (4 ea)
■	2994804	Bag Assembly -DH 18 (anc. plug + screws)



MOM/CON SWITCH

WHITE

CONTROL WIRE

BLACK

RED

WHITE

JUMPER WIRE - RED

DOWN
(DOWN)

UP
(UP)

BLACK

RED

GEAR MOTOR

BLACK LEAD

CONTROL SWITCH

TO BATTERY
NEGATIVE

RED LEAD

CIRCUIT BREAKER

TO BATTERY
POSITIVE