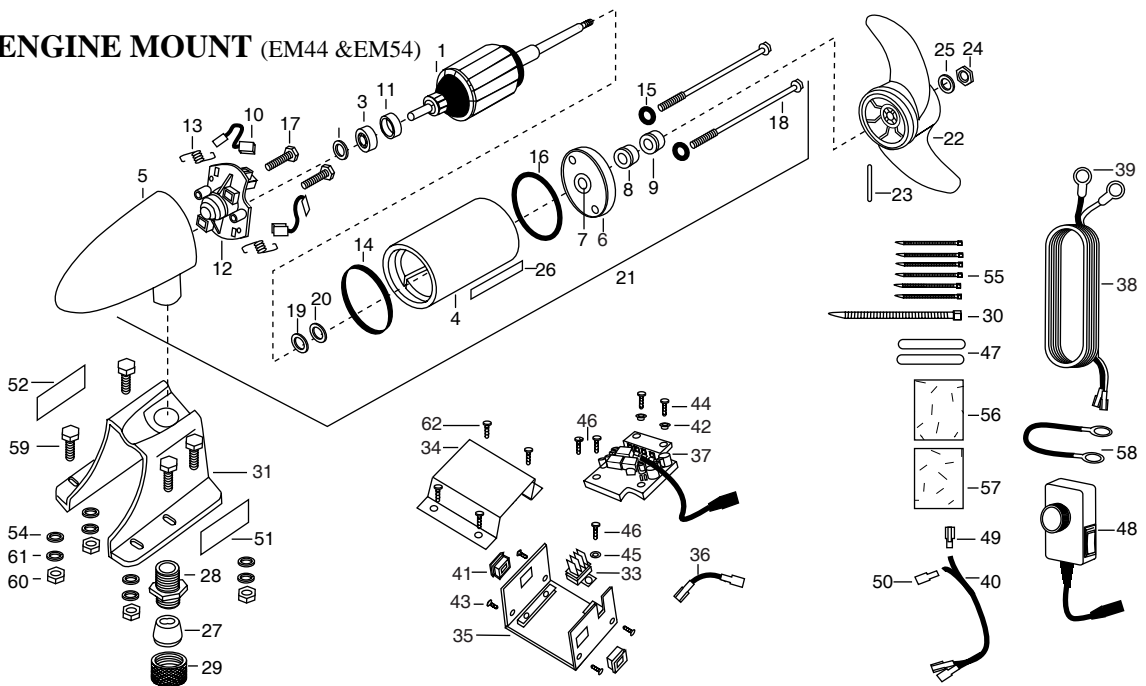
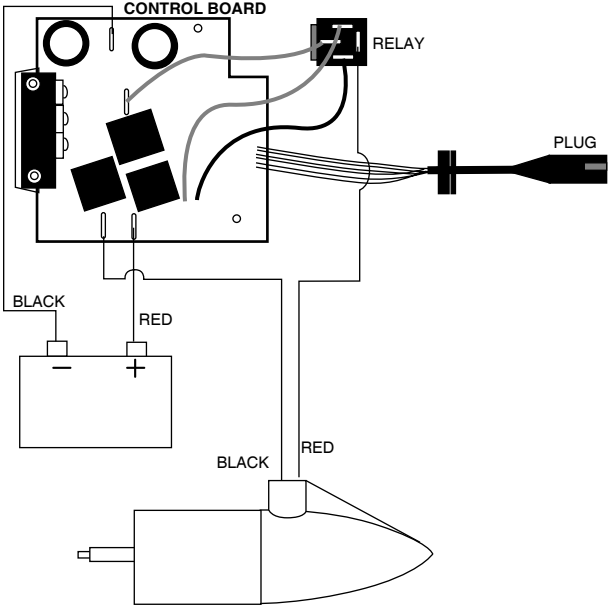


# ENGINE MOUNT (EM44 & EM54)



- |    |            |                                    |    |          |                                    |
|----|------------|------------------------------------|----|----------|------------------------------------|
| 1  | 92-100-105 | ARMATURE ASSEMBLY EM44             | 33 | 238-4007 | RELAY- MOTOR DISCONNECT            |
|    | 92-100-106 | ARMATURE ASSEMBLY EM54             | 34 | 238-6590 | HOUSING- COVER CONTROL MODULE      |
| 3  | 140-010    | BEARING- BALL                      | 35 | 238-6592 | HOUSING- BASE CONTROL MODULE       |
| 4  | 431-101    | CENTER HOUSING ASSEMBLY 3.62       | 36 | 202-0310 | CONNECTING WIRE 4-1/2"             |
| 5  | 421-001    | BRUSH END HOUSING 3.62 FW          | 37 | 238-4015 | CONTROL BOARD 12V                  |
| 6  | 2-400-101  | PLAIN END HOUSING ASSEMBLY         |    | 238-4026 | CONTROL BOARD 24V                  |
| 7  | 144-049    | BEARING- FLANGE                    | 38 | 209-0600 | LEADWIRE ASSEMBLY- 10 GA RINGS     |
| 8  | 880-003    | SEAL                               | 39 | 202-0700 | RING TERMINALS [2.EA]              |
| 9  | 880-006    | SEAL-W/SHIELD                      | 40 | 299-0603 | LEADWIRE/DISCONNECT ASSEMBLY       |
| 10 | 188-036    | BRUSH ASSEMBLY [2.EA]              | 41 | 230-2921 | GROMMET- LEADWIRE/SPD CNTRL [2.EA] |
| 11 | 725-050    | PAPER TUBE- BRUSH RETENTION        | 42 | 230-1710 | WASHER-INSULATED TRANSF BAR [2.EA] |
| 12 | 738-036    | BRUSH PLATE W/HOLDER               | 43 | 237-3426 | SCREW- 4- 40 X 1/4 PPH TCS [4.EA]  |
| 13 | 975-040    | SPRING- TORSION [2.EA]             | 44 | 233-2101 | SCREW- 8- 32 X 1/2 SS [2.EA]       |
| 14 | 337-036    | GASKET                             | 45 | 238-1715 | LOCKWASHER- STAR #8 ZINC [4.EA]    |
| 15 | 701-008    | O-RING- THRU BOLT [2.EA]           | 46 | 237-3425 | SCREW- 8-32 X 5/16 PPHMS [3.EA]    |
| 16 | 701-081    | O-RING                             | 47 | 230-5400 | SHRINK TUBE 3/8 OD X 1/[2.EA]      |
| 17 | 830-007    | SCREW- #8-32 [2.EA]                | 48 | 299-0210 | HAND CONTROLLER- MK                |
| 18 | 830-042    | THRU BOLT 10-32 X 8.83 [2.EA]      | 49 | 238-0300 | CONNECTOR- MALE .250               |
| 19 | 990-067    | THRUST WASHER- STEEL               | 50 | 238-0301 | CONNECTOR- FEMALE .250             |
| 20 | 990-070    | THRUST WASHER- NYLATRON [2.EA]     | 51 | 238-5621 | DECAL- EM44 SIDE BRKT RIGHT        |
| 21 | 238-7003   | MOTOR ASSEMBLY EM44 12V VARS       |    | 238-5623 | DECAL- EM54 SIDE BRKT RIGHT        |
|    | 238-7004   | MOTOR ASSEMBLY EM54 24V VARS       |    | 238-5622 | DECAL- EM44 SIDE BRKT LEFT         |
| 22 | 209-1130   | PROPELLER- P WEDGE                 |    | 238-5624 | DECAL- EM54 SIDE BRKT LEFT         |
| 23 | 209-2600   | PIN- DRIVE                         | ■  | 299-4823 | BAG ASSEMBLY 54EM                  |
| 24 | 205-3101   | NUT- PROP NYLOCK 5/16 SS           |    | 299-4822 | BAG ASSEMBLY 44EM                  |
| 25 | 215-1726   | WASHER 5/16 STD SS                 | 54 | 215 1726 | WASHER 5/16 STD SS [4.EA]          |
| 26 | 238-5608   | DECAL- MK MAX QKREL EM44/54 [2.EA] | 55 | 225-6300 | TIE WRAP 5.5" [6.EA]               |
| 27 | 238-2900   | GROMMET- SPLIT                     | 56 | 995-0950 | VELCRO® 2 X 2.9 HOOK               |
| 28 | 238-2500   | BOLT- MOTOR FITTING                | 57 | 995-0953 | VELCRO® 2 X 2.9 LOOP               |
| 29 | 995-0339   | CAP- MOTOR FITTING FIN             | 58 | 209-0620 | CONNECTOR CABLE 24V EM54 ONLY      |
| 30 | 995-3310   | TIE WRAP 8.5"                      | 59 | 238-3501 | BOLT- 5/16-18 X 1-1/2 SS [4.EA]    |
| 31 | 238-1905   | BRACKET/CUP ASSEMBLY               | 60 | 238-3106 | NUT- 5/16-18 SS [4.EA]             |
| ■  | 299-0200   | CONTROL MODULE. ASSEMBLY- 12V      | 61 | 237-1714 | LOCKWASHER- SPLIT [4.EA]           |
|    | 299-0201   | CNTRL MODULE ASSEMBLY- 24V         | 62 | 237-3427 | SCREW- BOAT #12 X 5/8 [4.EA]       |

EM44



EM54

