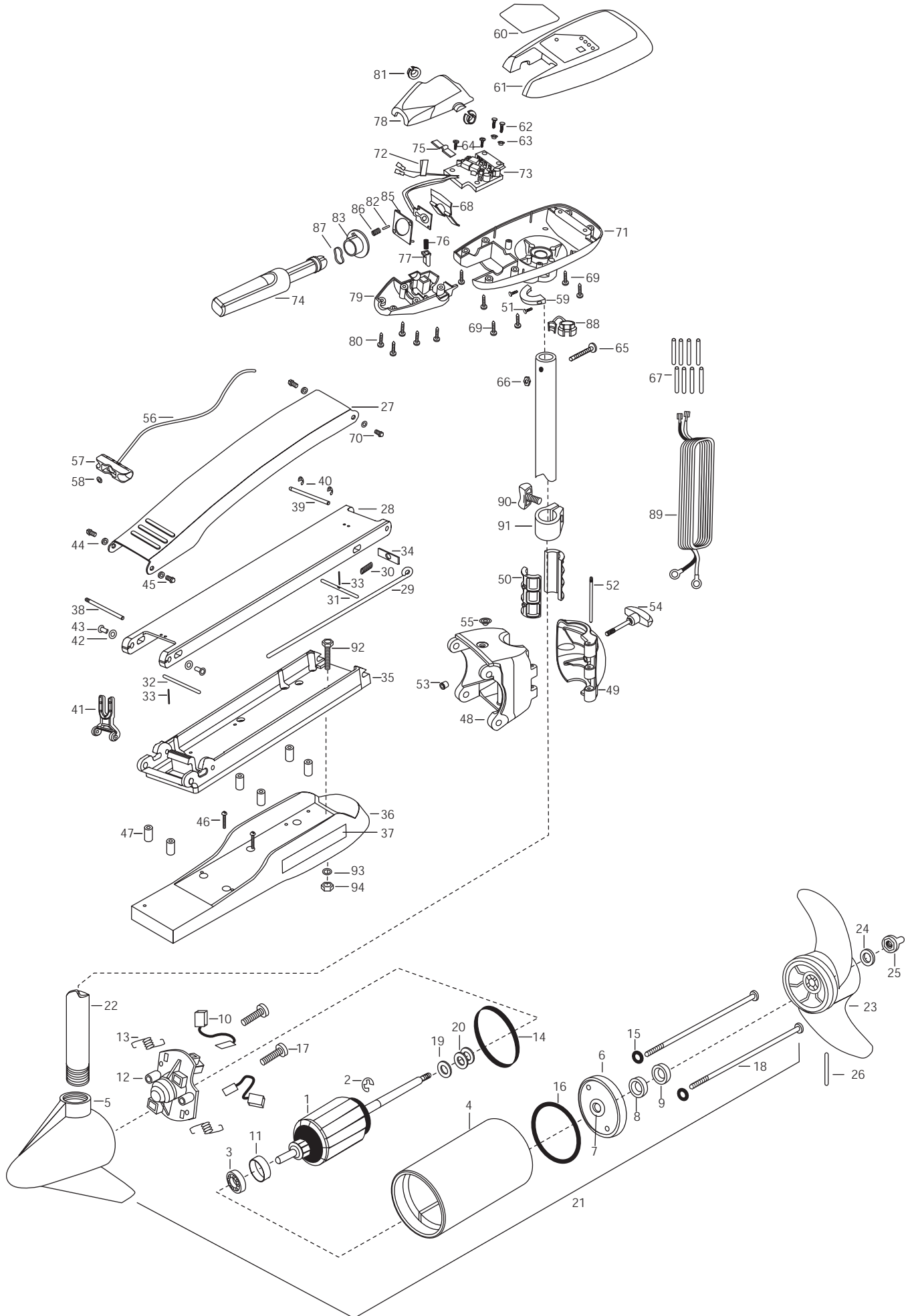


RT55/B (Hinge Door version)

55 LBS THRUST

12 VOLT 45 AMPS

52" SHAFT



|    |            |                                   |    |         |                                     |     |         |                                    |
|----|------------|-----------------------------------|----|---------|-------------------------------------|-----|---------|------------------------------------|
| 1  | 92-100-013 | ARMATURE ASSEMBLY12V 3.625        | 31 | 2233601 | LOCKBAR (SS) (NEW 500)              | 63  | 2301710 | WASHER-INSUL. (TRANSF.BAR) [2. EA] |
| 2  | 788-015    | RETAINING RING                    | 32 | 2233603 | LOCK BAR, REAR S/S                  | 64  | 2372100 | SCREW-8-18 X 5/8 THD (SS) [2. EA]  |
| 3  | 140-010    | BEARING -BALL                     | 33 | 2152610 | SPRING-PIN (LOCKBAR) [2. EA]        | 65  | 2263406 | SCREW-10-24 X 2" SS PPH            |
| 4  | 2-200-301  | CENTER HOUSING ASSEMBLY 3.625 WHT | 34 | 2262703 | SPRING STOP                         | 66  | 2333101 | NUT-HEX 10-24 UNC-2B NYLOC         |
| 5  | 421-336    | HOUSING- BRUSH END 3.625 SW WHI   | 35 | 2993983 | BOWPLATE/INSRT ASSEMBLY,STD,SW      | 67  | 2305400 | SHRINK TUBE-3/8 OD X 1-1 [8. EA]   |
| 6  | 2-400-337  | PLAIN END HOUSING ASSEMBLY 3.625  | 36 | 2263914 | MOTOR REST STD MAXXUM WHT           | 68  | 2302743 | SPRING-DETENT -HANDLE-TILT         |
| 7  | 144-049    | BEARING - FLANGE [SERVICE ONLY]   | 37 | 2065676 | DECAL-MOTOR REST RT/W [2. EA]       | 69  | 2303412 | SCREW-6-20 X 5/8 SELF TAP [6. EA]  |
| 8  | 880-003    | **SEAL                            | 38 | 2260505 | PIN-HINGE (HEADLESS) S/S            | 70  | 2263500 | BOLT, SHOULDER [2. EA]             |
| 9  | 880-006    | **SEAL WITH SHIELD                | 39 | 2260512 | HINGE PIN (MAX,A/T) S/S             | 71  | 2062596 | CONTROL BOX, SW, .725 BORE WHT     |
| 10 | 188-036    | BRUSH ASSEMBLY [2. EA]            | 40 | 2263011 | E-RING 3/8 DIA. SHAFT [2. EA]       | 72  | 2305810 | TAG-AIR SWITCH LEADS               |
| 11 | 725-050    | PAPER TUBE- BRUSH RETENTION       | 41 | 2293811 | YOKE,MAX MNT-POLYPROPYLENE          | 73  | 2334007 | CONTROL BOARD ASSEMBLY             |
| 12 | 738-036    | BRUSH PLATE W/HOLDER 3.625        | 42 | 2261708 | WASHER-3/8X1/2X.016 (SS) [2. EA]    | 74  | 2990915 | HANDLE ASSEMBLY W/O U-JOINT        |
| 13 | 975-040    | SPRING - TORSION [2.EA]           | 43 | 2236000 | BEARING NYLINER [2. EA]             | 75  | 2302742 | SPRING-DETENT(OFF) SS              |
| 14 | 337-036    | **GASKET                          | 44 | 2293501 | BUSHING, STAINLESS STEEL [4. EA]    | 76  | 2302745 | SPRING-RELEASE BUTTON SS           |
| 15 | 701-008    | **O-RING [2. EA]                  | 45 | 2263500 | BOLT, SHOULDER [2. EA]              | 77  | 2303720 | RELEASE BUTTON-HANDLE              |
| 16 | 701-081    | **O-RING                          | 46 | 2263434 | SCREW, 8-18 X 1" PPH SS [2. EA]     | 78  | 2060411 | HANDLE (TOP HALF)                  |
| 17 | 830-007    | SCREW # 8-32 [2.EA ]              | 47 | 2261505 | SPACER, MOTOR REST [6. EA]          | 79  | 2060415 | HANDLE (LOWER HALF)                |
| 18 | 830-042    | THRU BOLT 10-32 X 8.83 [2. EA]    | 48 | 2991863 | HINGE BASE/INSERT ASSEMBLY,SW,      | 80  | 2303412 | SCREW-6-20 X 5/8 SELF TAP [5. EA]  |
| 19 | 990-067    | WASHER - STEEL THRUST             | 49 | 2261859 | HINGE DOOR STD WHT TEX              | 81  | 2060005 | BEARING-HANDLE PIVOT [2. EA]       |
| 20 | 990-070    | WASHER - NYLATRON [2. EA]         | 50 | 2151532 | HINGE-SLEEVE HALF-AT [2. EA]        | 82  | 2302600 | PIN-ACTUATOR                       |
| 21 | 2099095    | MOTOR- ASSEMBLY 12V 3.62 SW VARS  | 51 | 2223430 | SCREW- #8X3/4 PPH TYPE 25 SS [2.EA] | 83  | 2302850 | ACTUATOR-CAM                       |
| 22 | 2032034    | TUBE-CARBON COMPOSITE 52" WHT     | 52 | 2262642 | PIN-HINGE DOOR, RT HNG,             | 85  | 2302851 | ACTUATOR-FWD/REV                   |
| ■  | 1378122    | PROPELLER KIT                     | 53 | 2264706 | INSERT-HINGE BASE (STD MT)          | 86  | 2302740 | SPRING- (ACTUATOR)                 |
| 23 | 2091150    | PROPELLER (W.WEDGE)               | 54 | 2260186 | KNOB-HINGE COVER SW S/S             | 87  | 2302741 | SPRING-CAM (ZNC PLTD STEEL)        |
| 24 | 2151726    | WASHER- 5/16 STD                  | 55 | 2232315 | EYELET-ROPE STAINLESS STEEL         | 88  | 2332900 | STRAIN RELIEF-C.CORD/SP.C          |
| 25 | 2198400    | ANODE-ZINC 3.25/3.625 LWR U       | 56 | 2251601 | ROPE (40"),                         | 89  | 2330600 | LEADWIRE (10 GA-4) (RINGS)         |
| 26 | 2092600    | PIN-DRIVE                         | 57 | 2150400 | PULL-GRIP                           | 90  | 2011366 | SCREW-COLLAR/NEW KNOB (SS)         |
| ■  | 2771886    | MOUNT,BOW ASSEMBLY,SW STD HNGD    | 58 | 2151700 | WASHER-EYE SHAFT(.562 OD)           | 91  | 2031520 | COLLAR-DEPTH (W/O INSERT)          |
| 27 | 2264244    | ARM-UPPER STD SW TXT WHT          | 59 | 2061517 | COLLAR-CTRL BOX SW WHT              | ■   | 2994830 | BAG ASSEMBLY                       |
| 28 | 2994310    | ARM-LOWER ASY STD WHT SW          | 60 | 2195626 | DECAL-COVER, RT55/B HC              | *92 | 2263431 | SCREW 1/4-20 X 3.5 PPH [6. EA]     |
| 29 | 2153603    | EYE SHAFT-2 LOCKBAR STD SS        | 61 | 2300219 | COVER- CONTROL BOX RIPTIDE WHT      | *93 | 2261713 | WASHER-1/4 FLAT S/S [6. EA]        |
| 30 | 2152701    | SPRING-(LOCKBAR) SS               | 62 | 2301310 | SCREW-8-18 X 1/2 SS [2. EA]         | *94 | 2263103 | NUT-1/4-20 NYLOCK-JAM S/S [6. EA]  |

**\*\*Seal & Oring Kit P/N 2888460**

\* This item is part of an assembly. This item cannot be sold separately due to machining and /or assembly that is required.

P/N 2194922 REV. B 1-02

BLACK

# RT55/B/HC Wiring Diagram

