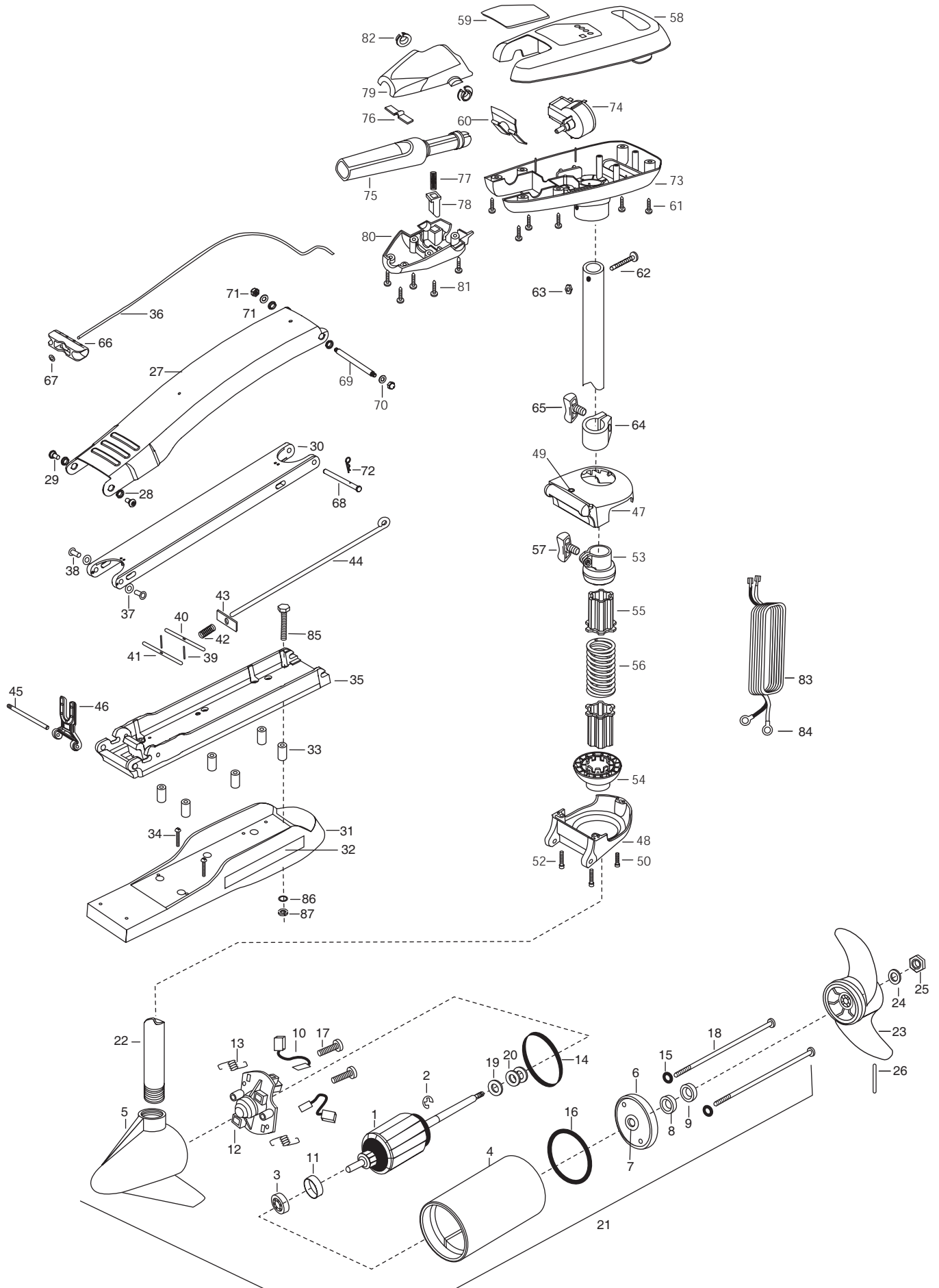


RT65/SC/B
65 LBS THRUST
24 VOLT 38 AMPS
52" SHAFT

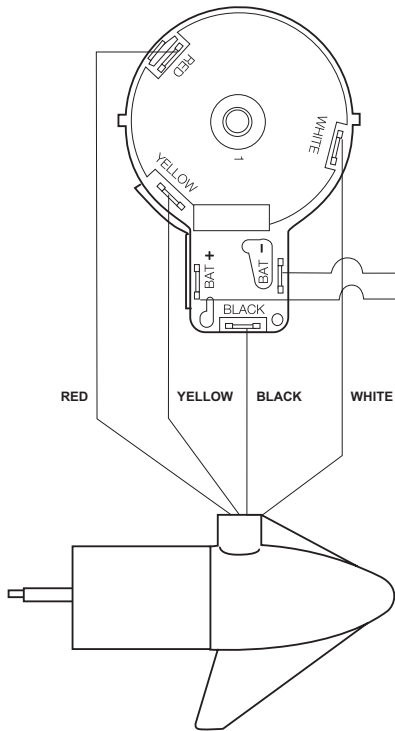


1	92-100-009	ARMATURE ASSEMBLY24V 3.625 SW 65/W	30	2994310	ARM-LOWER ASSEMBLY,STD,SW,WHT	60	2302743	SPRING-DETENT (HANDLE-TILT)
2	788-015	RETAINING RING	31	2263914	MOTOR REST STD MAXXUM WHT	61	2303412	SCREW-6-20 X 5/8 SELF TAP [6.EA]
3	140-010	BEARING -BALL	32	2065676	DECAL- MOTOR REST RT-W [2. EA]	62	2332102	SCREW-10-24 X 1-3/4 SS
4	431-304	CENTER HOUSING ASSEMBLY 3.62 SW	33	2261505	SPACER, MOTOR REST [6.EA]	63	2333101	NUT-HEX SS NYLOC
5	2-300-336	BRUSH END HOUSING ASSEMBLY 3.62 SPCO WHT	34	2263434	SCREW, 8-18 X 1 PPH SS [2.EA]	64	2031520	COLLAR-DEPTH (W/O INSERT)
6	2-400-337	PLAIN END HOUSING ASSEMBLY 3.62 WHT	35	2993983	BOWPLATE/INSERT ASSEMBLY STD SW	65	2011366	SCREW-COLLAR/NEW KNOB SS
7	144-049	BEARING - FLANGE [SERVICE ONLY]	36	2251601	ROPE (40"), MAXXUM MOUNT	66	2150400	PULL-GRIP (RAW)
8	880-003	**SEAL	37	2261708	WASHER-3/8 X1/2X.010 SS [2.EA]	67	2151700	WASHER-EYE SHAFT(.562 OD)
9	880-006	**SEAL WITH SHIELD	38	2236000	BEARING NYLINER- [2.EA]	68	2262606	PIN-CLEVIS SS MAXXUM BWGR
10	188-036	BRUSH ASSEMBLY [2. EA]	39	2152610	SPRING-PIN (LOCKBAR)	69	2262604	PIN- BWGR UPPER THREADED
11	725-050	PAPER TUBE- BRUSH RETENTION	40	2233601	LOCKBAR SS (NEW 500)	70	2261722	WASHER- FLAT 5/16 SS [2.EA]
12	738-036	BRUSH PLATE W/HOLDER	41	2233603	LOCK BAR, REAR - SS	71	2223100	NUT- TENSION 5/16-18 SS [2.EA]
13	975-040	SPRING - TORSION [2. EA]	42	2152701	SPRING-(LOCKBAR) SS [2.EA]	72	2260800	CLIP- SPRING SS MAX BG
14	337-036	**GASKET	43	2262703	SPRING STOP	73	2062552	CONTROL BOX PLAS W/HAND 5SP W
15	701-008	**O-RING [2. EA]	44	2153603	EYE SHAFT-2LOCKEAR STD	74	2064023	SWITCH-FWD/REV 5 SP
16	701-081	**O-RING	45	2260505	PIN-HINGE (HEADLE5S) SS	75	2990911	HANDLE ASSEMBLY-W/U-JOINT SS
17	830-007	SCREW # 8-32 [2.EA]	46	2293811	YOKE,MAX MNT-POLYPROPYLE	76	2302742	SPRING-DETENT (OFF) SS
18	830-008	THRU BOLT 10-32 X 8.83 [2. EA]	■	2991846	BOWGUARD ASSEMBLY SW WHT H.CT	77	2302745	SPRING-RELEASE BUTTON SS
19	990-067	WASHER - STEEL THRUST	47	2261968	BRKT BASE TOP/INSERT ASSEMBLY WHT	78	2303720	RELEASE BUTTON-HANDLE
20	990-070	WASHER - NYLATRON [2. EA]	48	2991877	BRKT BTTM/BEARING SW W	79	2060410	HANDLE (TOP HALF)
21	2098037	MOTOR ASSEMBLY 24V 3.625 SW 5SPC	49	2772352	EYELET SERVICE KIT	80	2060415	HANDLE (LOWER HALF)
22	2032034	TUBE (COMPOSITE) 52" WHITE	50	9954533	SCREW-1/4-20 X 3/4 SS	81	2303412	SCREW-6-20 X 5/8 SELF TAP [5.EA]
■	1378122	PROPELLER KIT	52	2263404	SCREW-1/4-20X2 1/4 [2.EA]	82	2060005	BEARING-HANDLE PIVOT [2.EA]
23	2091150	PROPELLER- WEEDLESS WEDGE	■	2884701	SLEEVE/INSERT KIT	83	2090600	LEADWIRE (10 GA) RINGS
24	2151726	WASHER- 5/16 STD SS	53	2261525	SPRING-SLEEVE UPPER	84	2020700	TERMINAL RING, 3/8 [2.EA]
25	2198400	ANODE- ZINC 3.25/3.62 LWR U	54	2261535	SPRING SLEEVE, LOWER	■	2994830	BAG ASSEMBLY-MAXXUM
26	2092600	PIN-DRIVE SS	55	2264702	INSERT-TUBE BOWMNT [2.EA]	85	2263431	SCREW 1/4-20 X 3.5 PPH [6.EA]
■	2991843	MOUNT, BOW ASSEMBLY, SW STD WHT	56	2262705	SPRING, BOWGUARD,SS	86	2261713	WASHER-1/4 FLAT S/S [6.EA]
27	2264244	ARM-UPPER SW WHITE	57	2011366	SCREW-COLLAR/NEW KNOB SS	87	2263103	NUT-1/4-20 NYLOCK-JAM SS [6.EA]
28	2293501	BUSHING, STAINLESS STEEL [4.EA]	58	2060264	COVER-CTRL BOX RT WHITE			
29	2263500	BOLT, SHOULDER (MAXXUM) [2.EA]	59	2195641	DECAL-COVER RT65/SC			

****Seal & Oring Kit P/N 2888460**

* This item is part of an assembly. This item cannot be sold separately due to machining and /or assembly that is required.

p/n 2194921 REV.B 1-02



RT65/SC 24 VOLT

