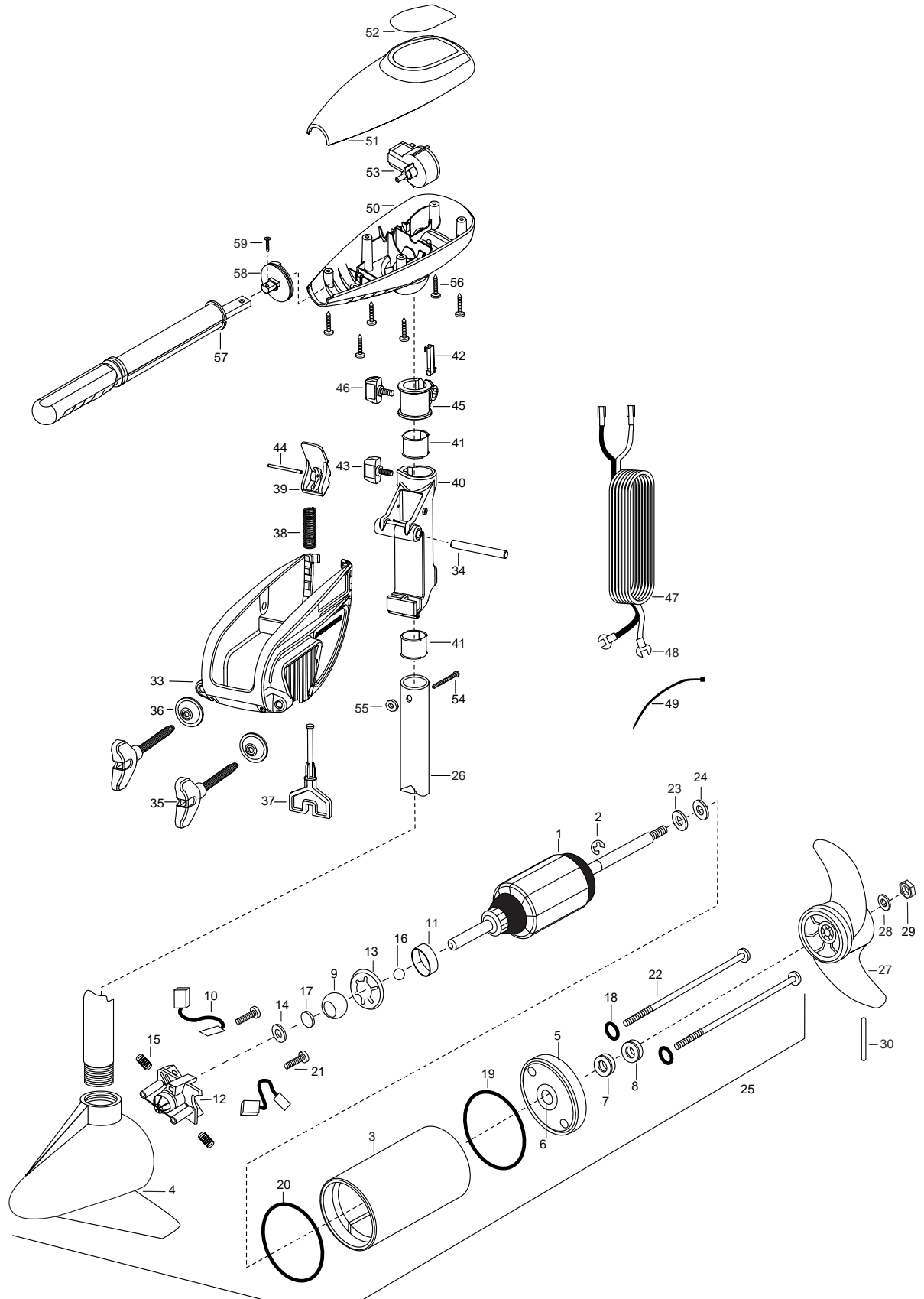


ENDURA 40
40 LBS THRUST
12 VOLT 40 AMPS
36" SHAFT



1	2-100-178	ARMATURE ASSEMBLY 12V 3.25 FW SW 36#	■	2771818	BRACKET & HINGE ASSEMBLY INCLUDES- 33—44
2	788-015	RETAINING RING	■	2771910	BRACKET ASSEMBLY INCLUDES- 33,35,36
3	431-079	CENTER HOUSING ASSEMBLY 3.25 FW TXT	*33	2061910	BRACKET
4	2-300-132	BRUSH END HOUSING ASSEMBLY 3.25 SP CO	34	2060510	PIN- HINGE
5	423-127	HOUSING- PLAIN END PLAST	■	2881300	SCREW-CLAMP, WASHER, RETAINER KIT [2.EA]
6	144-049	BEARING- FLANGE	*35	2061300	SCREW- CLAMP [2.EA]
7	880-003	**SEAL	*36	2011710	WASHER- CLAMP SCREW [2.EA]
8	880-006	**SEAL W/SHIELD	37	2063605	T-BAR- PLASTIC
9	144-050	BEARING- SPHERICAL	38	2062706	SPRING- T-BAR
10	188-052	BRUSH ASSEMBLY [2.EA]	39	2067200	LEVER- TILT RED
11	725-033	PAPER TUBE- BRUSH RETENTION	40	2061810	HINGE- PLASTIC
12	737-031	BRUSH PLATE W/HOLDER 3.25 ASSEMBLY INCLUDES 9,12,13,14	41	2037301	BUSHING- HINGE [2.EA]
13	784-036	BEARING RETAINER	42	2062800	TENSION BLOCK- SNAP IN
14	991-025	WASHER- FELT	43	2011385	SCREW- TENSION/KNOB
15	975-032	SPRING- COMPRESSION [2.EA]	44	2060515	PIN- TILT LEVER
16	116-020	BALL- STEEL	45	2061520	COLLAR- DEPTH ENDURA
17	303-039	THRUST DISC- METAL	46	2011365	SCREW- COLLAR/NEW KNOB
18	701-007	**O-RING [2.EA]	47	2050609	LEADWIRE- 10 GA SPADE TERM
19	701-039	**O-RING MK406460	48	2020702	TERMINAL- SPADE 10GA. [2.EA]
20	701-041	**O-RING	49	2026300	TIE WRAP
21	830-001	SCREW- #8-32X1.75 SELF THREAD [2.EA]	50	2062510	CONTROL BOX- ENDURA
22	830-078	THRU BOLT 8-32X8.96 [2.EA]	51	2060214	CONTROL BOX COVER- ENDURA
23	990-067	WASHER- STEEL THRUST	52	2065640	DECAL- COVER ENDURA 40
24	990-070	WASHER- NYLATRON [21.EA]	53	2064023	SWITCH- FWD/REV 5 SP
25	2069041	MOTOR ASSEMBLY 12V 3.25 5SPC TXT	54	2033401	SCREW- 10-24 X 1-3/4 SHOULDER
26	2032046	TUBE, COMPOSITE 36"	55	2013110	NUT- 10-24 HEX ZCP
■	1378121	PROP KIT	56	2012100	SCREW- 8-18 X 5/8 THD CUT [6.EA]
27	2061121	PROPELLER 3.25 HUB DIA	57	2990901	HANDLE ASSEMBLY 5 SPEED
28	2151726	WASHER- 5/16 STD SS	58	2060405	PIVOT- HANDLE
29	2053101	NUT-PROP NYLOC	59	2012102	SCREW
30	2092600	PIN-DRIVE			

****Seal & Oring Kit P/N 2883460**

* This item is part of an assembly. This item cannot be sold separately due to machining and /or assembly that is required.

P/N 2064926 REVA 6-02

