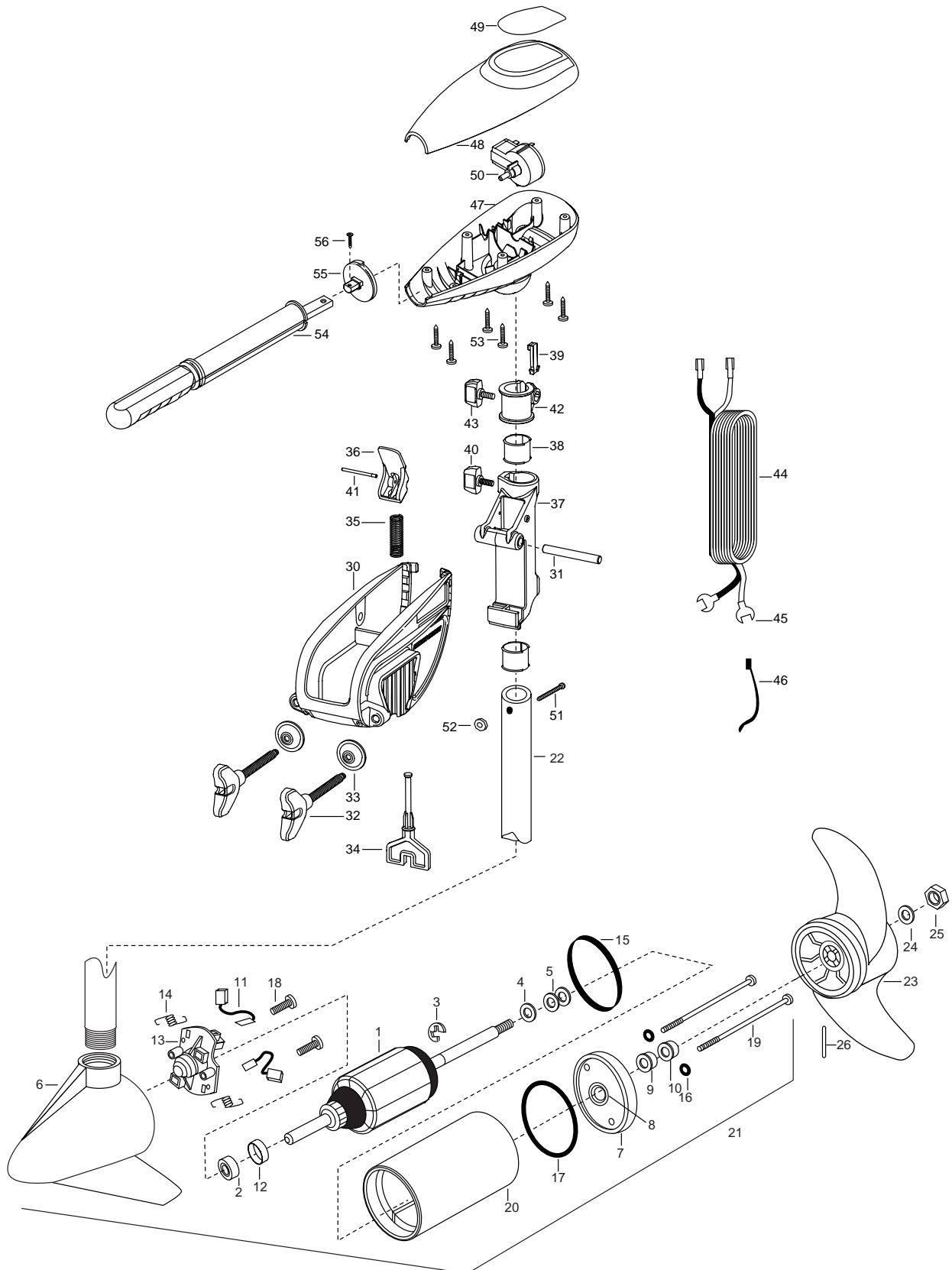


ENDURA 50
50 LBS THRUST
12 VOLT 42 AMPS
36" OR 42" SHAFT

for use with motors with serial numbers beginning MKAE
2-year warranty from the date of purchase



| | | | | | |
|----|------------|---|-----|---------|--|
| 1 | 92-100-098 | ARMATURE ASSEMBLY 12V 3.62 5SPC TEXT 47 | ■ | 2771818 | BRACKET & HINGE ASSEMBLY (INCLUDES- 30—41) |
| 2 | 140-010 | BEARING- BALL | ■ | 2771910 | BRACKET ASSEMBLY (INCLUDES- 30,32,33) |
| 3 | 788-015 | RETAINING RING | *30 | 2061910 | BRACKET |
| 4 | 990-067 | WASHER- STEEL THRUST | 31 | 2060510 | PIN-HINGE |
| 5 | 990-070 | WASHER- NYLATRON [2.EA] | ■ | 2881300 | SCREW-CLAMP, WASHER, RETAINER KIT [2.EA] |
| 6 | 2-300-196 | BRUSH END HOUSING ASSEMBLY 36" | *32 | 2061300 | SCREW-CLAMP [2.EA] |
| | 2-300-195 | BRUSH END HOUSING ASSEMBLY 42" | *33 | 2011710 | WASHER-CLAMP SCREW [2.EA] |
| 7 | 2-400-101 | PLAIN END HOUSING ASSEMBLY | 34 | 2063605 | T-BAR, PLASTIC |
| 8 | 144-049 | BEARING- FLANGE ,SERVICE ONLY | 35 | 2062706 | SPRING- (T-BAR) |
| 9 | 880-003 | **SEAL | 36 | 2067201 | LEVER-TILT BLACK |
| 10 | 880-006 | **SEAL WITH SHIELD | 37 | 2061810 | HINGE-PLASTIC |
| 11 | 188-036 | BRUSH ASSEMBLY [2.EA] | 38 | 2037301 | BUSHING-HINGE [2.EA] |
| 12 | 725-050 | BRUSH RETENTION- PAPER TUBE | 39 | 2062800 | TENSION BLOCK-SNAP IN |
| 13 | 738-036 | BRUSH PLATE WITH HOLDER | 40 | 2011385 | SCREW, TENSION/KNOB |
| 14 | 975-040 | SPRING- TORSION [2.EA] | 41 | 2060515 | PIN, TILT LEVER |
| 15 | 337-036 | **GASKET | 42 | 2061520 | COLLAR-DEPTH |
| 16 | 701-008 | **O-RING [2.EA] | 43 | 2011365 | SCREW-COLLAR/NEW KNOB |
| 17 | 701-081 | **O-RING | 44 | 2050609 | LEADWIRE (10 GA) SPADE TERM |
| 18 | 830-007 | SCREW- #8-32X1 [2.EA] | 45 | 2020702 | SPADE TERMINAL 10GA. [2.EA] |
| 19 | 830-042 | THRU BOLT 10-32X8.83 [2EA] | 46 | 2026300 | TIE WRAP |
| 20 | 431-101 | HOUSING ASSEMBLY- CENTER | 47 | 2062510 | CONTROL BOX |
| 21 | 2099030 | MOTOR ASSEMBLY 36" | 48 | 2060214 | CONTROL BOX COVER |
| | 2099032 | MOTOR ASSEMBLY 42" | 49 | 2065642 | DECAL COVER ENDURA 50 |
| 22 | 2032052 | TUBE COMPOSITE 36" | 50 | 2064023 | SWITCH-FWD/REV 5 SP |
| | 2032053 | TUBE COMPOSITE 42" | 51 | 2033400 | SCREW-10-24 X 1-3/4 |
| ■ | 1378122 | PROPELLER KIT (includes 23-26) | 52 | 2013110 | NUT-10-24 HEX |
| 23 | 2091150 | PROPELLER W/WEDGE | 53 | 2012100 | SCREW-8-18 X 5/8 [6.EA] |
| 24 | 2151726 | WASHER- 5/16 STD SS | 54 | 2990901 | HANDLE ASSEMBLY 5 SPEED |
| 25 | 2053101 | NUT-PROP NYLOC (MEDIUM) | 55 | 2060405 | PIVOT, HANDLE |
| 26 | 2092600 | PIN-DRIVE | 56 | 2012102 | SCREW |

**Seal & Oring Kit P/N 2888460

* This item is part of an assembly. This item cannot be sold separately due to machining and /or assembly that is required.

P/N 2064928 REV.A 6-02

