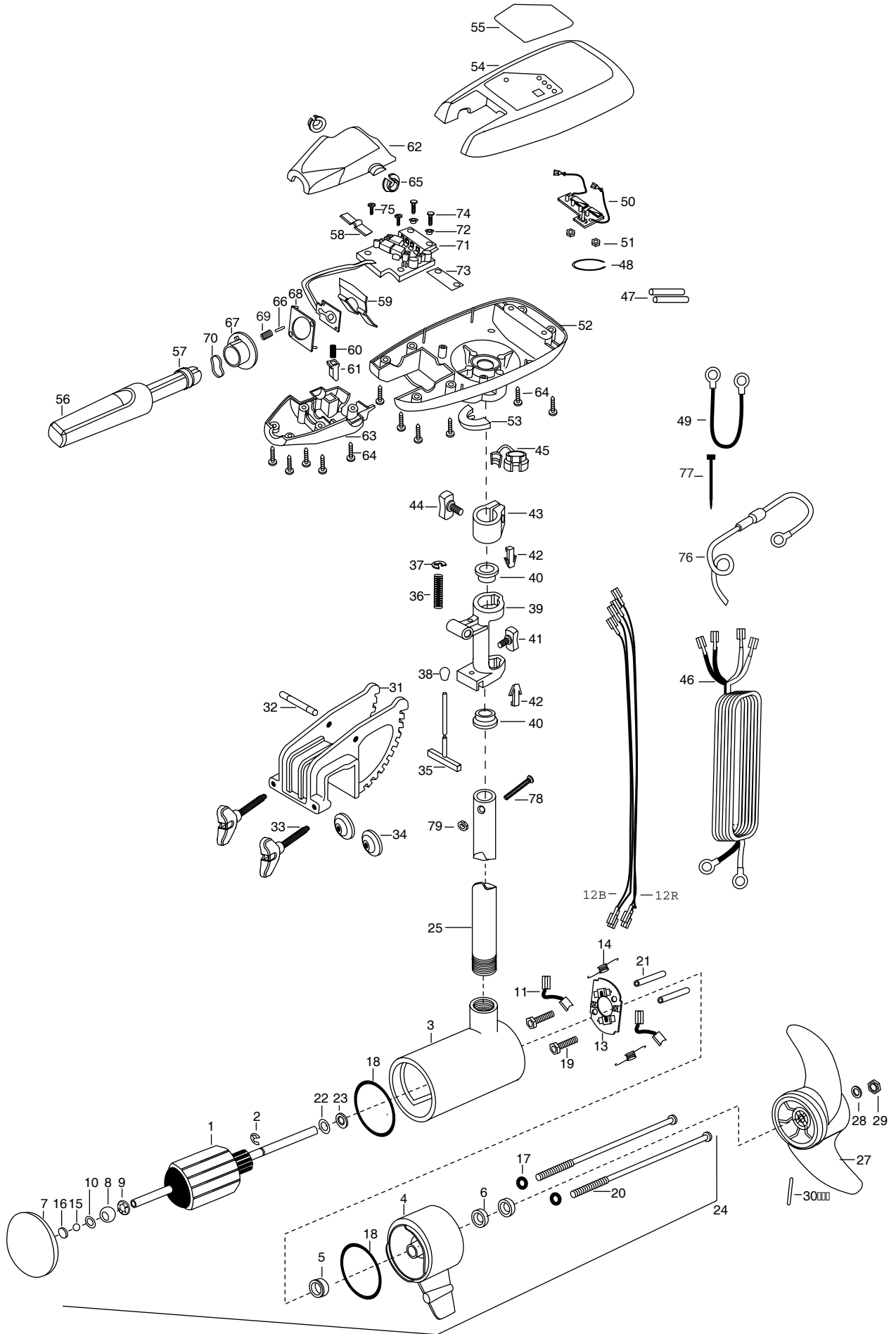


74T MAXXUM
74 lbs Thrust
24 Volt 45 Amps
42" SHAFT



1	2-100-103	ARMATURE ASSEMBLY 24V 4 "	■	2991960	BRACKET/HINGE ASSEMBLY INCL. 31-42	61	2303720	RELEASE BUTTON- HANDLE
2	788-040	RETAINING RING	■	2771901	BRACKET ASSEMBLY INCL. 31, 33,-34	62	2060409	HANDLE- TOP HALF
3	431-160	HOUSING ASSEMBLY CENTER 4.0 TXT	*31	2031901	BRACKET	63	2060415	HANDLE- LOWER HALF
4	2-300-160	BRUSH END HOUSING ASSEMBLY	32	2010511	PIN-HINGE	64	2303412	SCREW-6-20 X 5/8 SELF TAP [11.EA]
5	144-017	BEARING- FLANGE	*33	2061300	SCREW-CLAMP [2.EA]	65	2060005	BEARING- HANDLE PIVOT
6	880-025	**SEAL [2.EA]	*34	2011710	WASHER-CLAMP SCREW [2.EA]	66	2302600	PIN- ACTUATOR
7	2-400-160	PLAIN END HOUSING ASSEMBLY	35	2033600	T-BAR	67	2302850	ACTUATOR- CAM
8	144-021	BEARING- SPHERICAL	36	2012700	SPRING-T-BAR	68	2302851	ACTUATOR- FWD/REV
9	784-025	BEARING RETAINER	37	2013000	E-RING	69	2302740	SPRING- ACTUATOR
10	991-040	WASHER- FELT	38	2010100	KNOB-TILT	70	2302741	SPRING- CAM
11	186-094	BRUSH 4" [2.EA]	39	2031852	HINGE	71	2344006	CONTROL BOARD W/O LEAD- 24V
12B	640-014	LEADWIRE BLACK 10 AWG 55	40	2037300	BUSHING-HINGE [2.EA]	72	2301710	WASHER- INSUL.TRANSFER BAR
12R	640-119	LEADWIRE RED 10 AWG 56-1/2	41	2011385	SCREW-TENSION W/NEW KNOB	73	2365105	INSULATOR PAD
13	738-004	BRUSH PLATE- 4"	42	2062800	TENSION BLOCK [2.EA]	74	2372100	SCREW -8-18 X 5/8 SS [2.EA]
14	975-041	SPRING- TORSION [2.EA]	43	2061520	COLLAR-DEPTH ENDURA	75	2301310	SCREW- 8-18 X 1/2 SS [2.EA]
15	116-025	BALL- STEEL	44	2011365	SCREW-COLLAR W/NEW KNOB	76	2060310	GROUND WIRE- FUSED
16	303-043	THRUST DISC- METAL	45	2332900	STRAIN RELIEF	77	2256300	TIE WRAP 5.5"
17	701-009	**O-RING- THRU BOLT [2.EA]	46	2330600	LEADWIRE- 10 GA. W/ RINGS	78	2383407	SCREW 10-24X 2
18	701-043	**O-RING [2.EA]	47	2375400	SHRINK TUBE [2.EA]	79	2383124	NUT HEX 10-24 NYLOCK
19	830-027	SCREW- SELF THREAD 10-32X2 [2.EA]	48	2303001	RING- PIG			
20	830-094	THRU BOLT 12 24X 10.31 [2.EA]	49	2340610	CONNECTOR CABLE 12"			
21	973-025	SPACER- BRUSHPLATE [2.EA]	50	2034036	BATTERY GAUGE- 24V. /4 LED			
22	990-051	WASHER- STEEL THRUST	51	2303120	SPEED NUT [2.EA]			
23	990-052	WASHER- NYLATRON	52	2062586	CONTROL BOX			
24	2317036	MOTOR ASSEMBLY 24V VARS TXT 4"	53	2061512	COLLAR- CONTROL BOX			
25	2032057	TUBE COMPOSITE 36"	54	2990294	COVER- CNTRL BOX/DECAL ASSMBLY			
	2032053	TUBE COMPOSITE 42"	55	2345604	DECAL- COVER 74T			
■	1378129	PROPELLER KIT	56	2990914	HANDLE ASSEMBLY W/O U-JOINT			
27	2311120	PROPELLER	57	2060000	BEARING- HANDLE [2.EA]			
28	2091701	WASHER- PROP LARGE	58	2302742	SPRING- DETENT OFF SS			
29	2093101	NUT- PROP NYLOC	59	2302743	SPRING- DETENT HANDLE-TILT			
30	2092600	PIN- DRIVE	60	2302745	SPRING- RELEASE BUTTON SS			

****Seal & Oring Kit P/N 2889460**

* This item is part of an assembly. This item cannot be sold separately due to machining and /or assembly that is required.

P/N 2034929 REV.H 5-01

MAXXUM 74T Wiring Diagram

