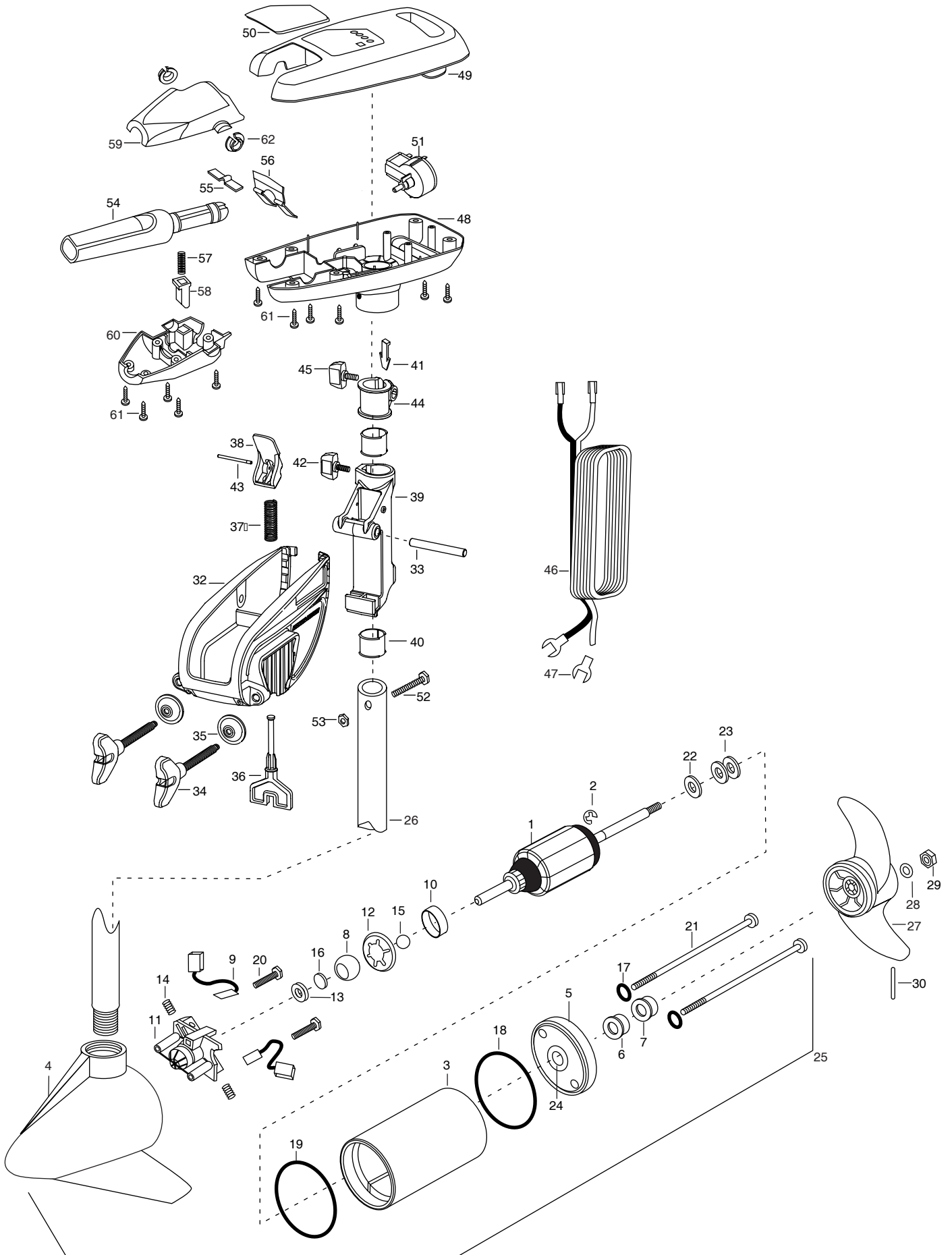


50 TURBO
32 LBS THRUST
12 VOLT 36 AMPS
36" SHAFT



| | | | | | |
|----|-----------|---|-----|---------|--|
| 1 | 2-100-178 | ARMATURE ASSEMBLY 12V 3.25 | ■ | 2771818 | BRACKET & HINGE ASSEMBLY RED KNOB |
| 2 | 788-015 | RETAINING RING | ■ | 2771910 | BRACKET W/CLAMP SCREW ASSEMBLY (INCL.32,34,35) |
| 3 | 431-079 | CENTER HOUSING ASSEMBLY 3.25 TXT | *32 | 2061910 | BRACKET PLASTIC |
| 4 | 2-300-132 | BRUSH END HOUSING ASSEMBLY 3.25 SP.CO | 33 | 2060510 | PIN-HINGE- ENDURA |
| 5 | 2-400-127 | HOUSING- PLAIN END ASSEMBLY | *34 | 2061300 | SCREW- CLAMP |
| 6 | 880-003 | **SEAL | *35 | 2011710 | WASHER- CLAMP SCREW 1.5OD |
| 7 | 880-006 | **SEAL W/SHIELD | ■ | 2881300 | CLAMP SCREW, WASHER, RETAINER KIT |
| 8 | 144-050 | BEARING- SPHERICAL | 36 | 2063605 | T-BAR PLASTIC |
| 9 | 188-052 | BRUSH ASSEMBLY [2.EA] | 37 | 2062706 | SPRING- T-BAR ENDURA |
| 10 | 725-033 | BRUSH RETENTION- PAPER TUBE | 38 | 2067201 | LEVER- TILT BLACK |
| 11 | 737-031 | BRUSH PLATE W/HOLDER 3.25 ASSEMBLY INCLUDES 8,11,12,13 | 39 | 2061810 | HINGE-PLASTIC |
| 12 | 784-036 | BEARING RETAINER | 40 | 2037301 | BUSHING-HINGE [2.EA] |
| 13 | 991-025 | WASHER- FELT | 41 | 2062800 | TENSION BLOCK- SNAP IN |
| 14 | 975-032 | SPRING- COMPRESSION | 42 | 2011385 | SCREW-TENSION/NEW KNOB |
| 15 | 116-020 | BALL- STEEL | 43 | 2060515 | PIN- TILT LEVER |
| 16 | 303-039 | THRUST DISC- METAL | 44 | 2061520 | COLLAR-DEPTH ((ENDURA) |
| 17 | 701-007 | **O-RING [2.EA] | 45 | 2011365 | SCREW-COLLAR W/NEW KNOB |
| 18 | 701-039 | **O-RING MK406460 | 46 | 2050609 | LEADWIRE 10 GA SPADE TERM |
| 19 | 701-041 | **O-RING | 47 | 2020702 | TERMINAL- SPADE 10GA [2.EA] |
| 20 | 830-001 | SCREW- SELF THREAD 8-32X1.7 [2.EA] | 48 | 2062551 | CONTROL BOX-PLAS W/HAND |
| 21 | 830-078 | THRU BOLT 8-32X8.96 [2.EA] | 49 | 2060281 | CONTROL BOX COVER- BLK |
| 22 | 990-067 | WASHER- STEEL | 50 | 2065609 | DECAL COVER-50TA |
| 23 | 990-070 | WASHER- NYLATRON [2.EA] | 51 | 2064023 | SWITCH-FWD/REV COMBO-5 SP |
| 24 | 144-049 | BEARING- FLANGE- SERVICE ONLY | 52 | 2033400 | SCREW-10-24 X 1-3/4 |
| 25 | 2069041 | MOTOR ASSEMBLY 12V 3.25 5SPC TXT | 53 | 2013110 | NUT-HEX ZINC/CAD PLATE |
| 26 | 2032052 | TUBE- COMPOSITE 36" | 54 | 2990912 | HANDLE ASSEMBLY W/U-JOINT 5SP |
| ■ | 1378126 | PROP KIT | 55 | 2302742 | SPRING-DETENT OFF SS |
| 27 | 2061125 | PROP- WEEDLESS WEDGE | 56 | 2302743 | SPRING-DETENT HANDLE |
| 28 | 2151726 | WASHER- 5/15 STD SS | 57 | 2302745 | SPRING-RELEASE BUTTON SS |
| 29 | 2053101 | NUT-PROP NYLOC 5/16 SS | 58 | 2303720 | RELEASE BUTTON-HANDLE |
| 30 | 2092600 | PIN-DRIVE SS | 59 | 2060408 | HANDLE- TOP HALF |
| | | | 60 | 2060415 | HANDLE- LOWER HALF |
| | | | 61 | 2303412 | SCREW-6-20 X 5/8 SELF TAP [11.EA] |
| | | | 62 | 2060005 | BEARING-HANDLE PIVOT [2.EA] |

****Seal & Oring Kit P/N 2883460**

* This item is part of an assembly. This item cannot be sold separately due to machining and /or assembly that is required.

P/N 2034945 REV.D 8-01

