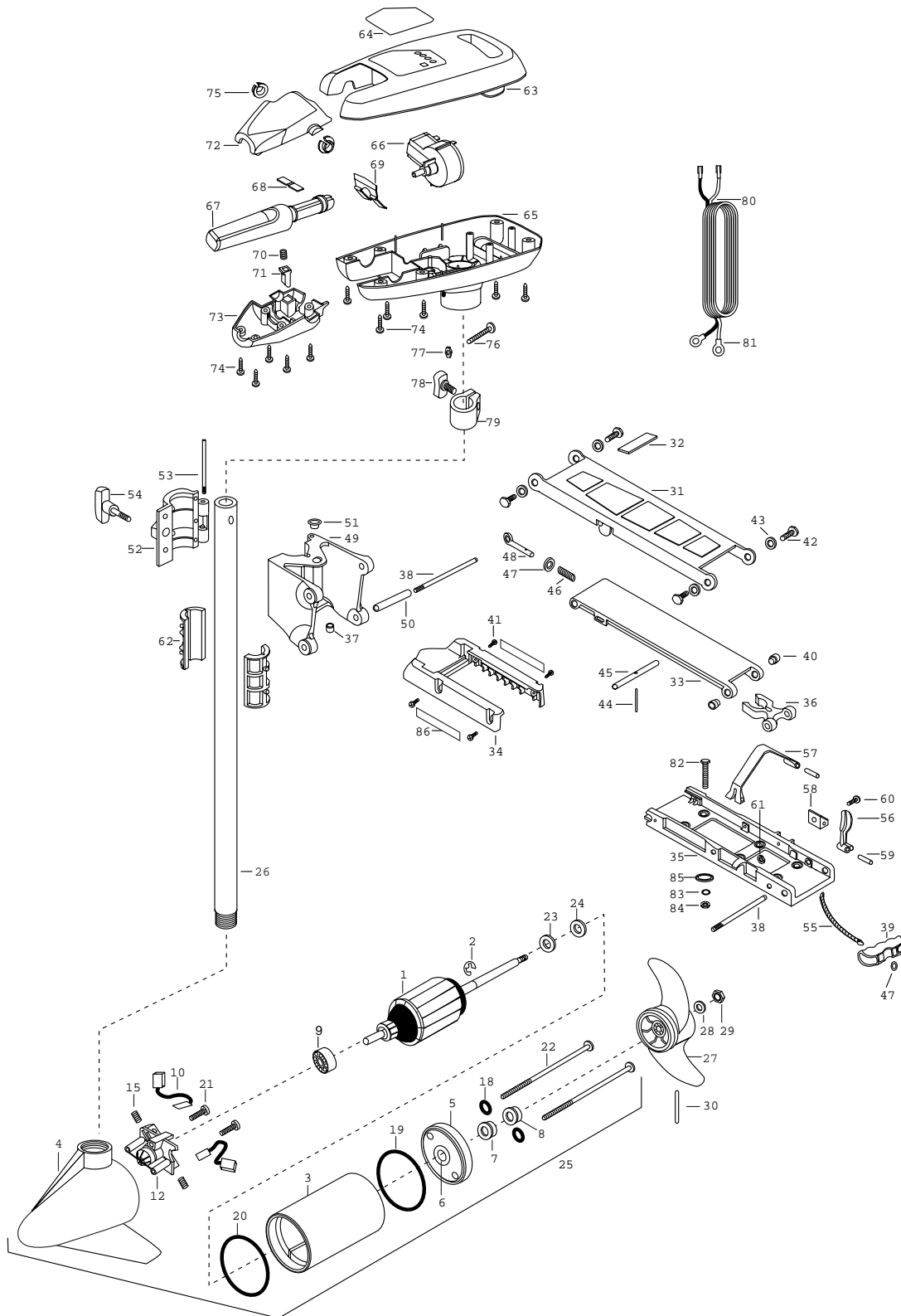


40AT/H
40 lbs Thrust
12 Volt 42 Amps
42" Shaft

for use with motors with serial numbers beginning MKAE
2-year warranty from date of purchase



1	2-100-201	ARM ASSEMBLY 12V 3.25 FW 40#	33	2254352	ARM-LWR FW	65	2062551	CONTROL BOX PLAS W/HAND
2	788-015	RETAINING RING	34	2263900	MOTOR REST A/T	66	2064023	SWITCH-FWD/REV 5SP
3	2-200-079	HOUSING ASSEMBLY CENTER 3.25 TXT	35	2251922	BOW PLATE-D/C	67	2990912	HANDLE ASSEMBLY-W/U-JOINT 5SP
4	2-300-132	HOUSING ASSEMBLY BRUSH END 3.25 SPCO	36	2293801	TUBE LOCK-'D'	68	2302742	SPRING-DETENT OFF
5	2-400-128	PLAIN END HOUSING ASSEMBLY	37	2264705	INSERT-HINGE BASE (STD MT)	69	2302743	SPRING-DETENT HANDLE-TILT
6	144-049	BEARING - FLANGE [SERVICE ONLY]	38	2260506	HINGE-PIN (HEADLESS) ZINC [2.EA]	70	2302745	SPRING-RELEASE BUTTON
7	880-003	**SEAL	39	2150400	PULL-GRIP	71	2303720	RELEASE BUTTON-HANDLE
8	880-006	**SEAL WITH SHIELD	40	2236000	BEARING NYLINER- [2.EA]	72	2060408	HANDLE- TOP HALF
9	140-010	BEARING - BALL	41	2303431	SCREW 1/4-20X5/8'PPH [4.EA]	73	2060415	HANDLE- LOWER HALF
10	188-052	BRUSH ASSEMBLY [2.EA]	42	2293511	BOLT-UPPER ARM W/LOCTITE [4.EA]	74	2303412	SCREW-6-20 X 5/8 SELF TAP [11.EA]
12	738-031	BRUSH PLATE W/HOLDER 3.25 ASSEMBLY INCLUDES 14,17,18	43	2293500	BUSHING-SHOULDER UPR ARM [4.EA]	75	2060005	BEARING-HANDLE PIVOT [2.EA]
15	975-032	SPRING - COMPRESSION [2. EA]	44	2152610	SPRING-PIN LOCKBAR	76	2033400	SCREW-10-24 X 1-3/4
18	701-007	**O-RING [2. EA]	45	2233600	LOCK BAR- BOW MOUNT	77	2013110	NUT-10-24 HEX (ZCP)
19	701-039	**O-RING MK406460	46	2152700	SPRING- LOCKBAR CAD.PLTH	78	2011365	SCREW-COLLAR/NEW KNOB
20	701-041	**O-RING	47	2151700	WASHER-EYE SHAFT .562 OD [2.EA]	79	2031520	COLLAR-DEPTH W/O INSERT
21	830-001	SCREW - #8-32X1.75 SELF-THRE [2.EA]	48	2153600	EYE SHAFT-CAD.PLATE	80	2090600	LEADWIRE -10 GA RINGS
22	830-078	THRU BOLT 8-32 X 8.96 [2. EA]	49	2261811	HINGE BASE-F/W	81	2020700	TERMINAL RING, 3/8' [2.EA]
23	990-067	WASHER - STEEL THRUST	50	2231570	SLEEVE ROLLER- HINGE BRACKET	■	2994837	BAG ASSEMBLY
24	990-070	WASHER - NYLATRON [2.EA]	51	2232350	EYELET-ROPE	*82	2263462	SCREW 1/4-20X2 SS [4.EA]
25	2068250	MOTOR ASSEMBLY 12V3.25 5SPC FW 40#	52	2261821	HINGE DOOR-PAINTED F/W	*83	2261713	WASHER-1/4 FLAT 18-18 [4.EA]
26	2032053	TUBE-COMPOSITE 42"	53	2262640	PIN-HINGE DOOR	*84	2263103	NUT- 1/4-20 NYLOC-JAM [4.EA]
■	1378122	PROPELLER KIT (includes 27-30)	54	2260183	KNOB-HINGE COVER A/T FW	*85	2301720	WASHER.MOUNTING RUBBER [6. EA]
27	2061125	PROP (65 WEEDLESS WEDGE)	55	2251600	ROPE- 31'	86	2265631	DECAL- MOTOR REST AT [2.EA]
28	2151726	WASHER-5/16 STD SS	56	2267200	LATCH LEVER			
29	2053101	NUT-PROP NYLOCK MED	57	2263800	STRAP-HOLD DOWN			
30	2092600	PIN-DRIVE (95-4HP'S) (SS)	58	2261910	BRACKET HOLD DOWN STRAP			
■	2771970	STD-BOWMT FW H/CTRL ASSEMBLY	59	2260500	PIN-ROLL LATCH LEVER [2.EA]			
31	2264221	ARM-UPPER, STD, FW	60	2263440	SCREW-10-24 X 3/4			
32	2265120	BUMPER UPPER ARM	61	2333101	NUT-HEX 3HP-SS NYLOC			
■	2774310	ARM-LOWER ASSEMBLY FW INCL. 33,44,45,46,47,48,39,55	62	2151532	HINGE-SLEEVE HALF-AT [2.EA]			
			63	2060283	COVER-CONTROL BOX AT/H BLK			
			64	2185606	DECAL-COVER 40AT/HC			

**Seal & Oring Kit P/N 2883460

* This item is part of an assembly. This item cannot be sold separately due to machining and /or assembly that is required.

p/n 2274915 Rev. A 9-03

