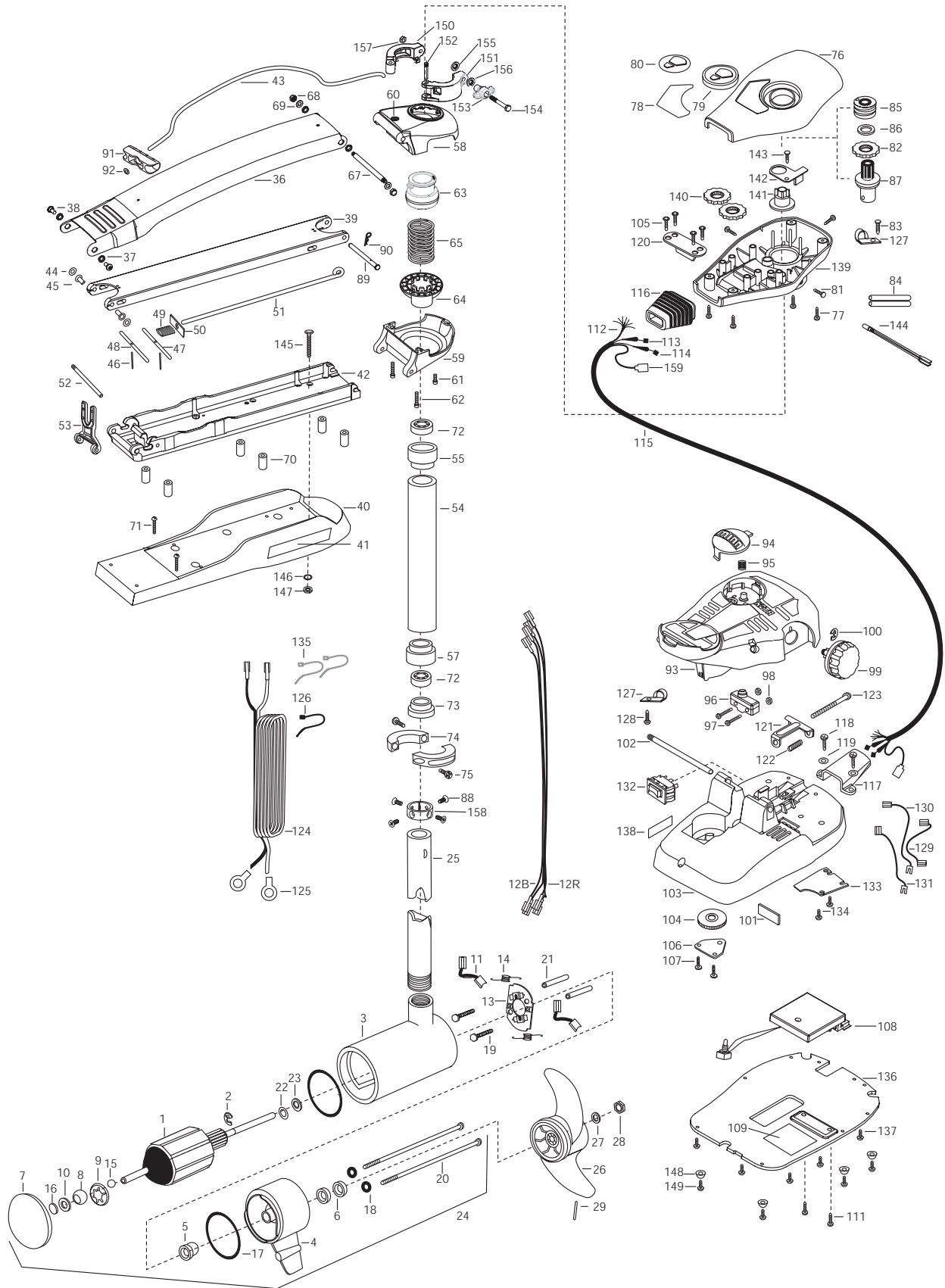


MAXXUM 74 & SONAR

74 lbs Thrust
24 volt 45 amps
48", 52" & 62" SHAFT

for use with motors with serial numbers beginning MKAE
3-year warranty from the date of purchase



1	2-100-103	ARMATURE ASSEMBLY 24V 4"	51	2153604	EYE SHAFT-2LOCKBAR LG-PLTD	105	2223430	SCREW #8X3/4 PPH TYPE 25 SS [4.EA]
2	788-040	RETAINING RING	52	2260506	HINGE-PIN HEADLESS ZINC	106	2266400	COVER-PULLEY STAMPING
3	431-160	CENTER HOUSING ASSEMBLY 4.0 TXT	53	2293811	YOKE,MAX MNT-POLYPROPYLENE	107	2301310	SCREW-8-18 X 1/2 SS [2.EA]
	92-200-170	CENTER HOUSING ASSEMBLY 4.0- SONAR	■	2772014	TUBE W/BEARING RACE ASSEMBLY 34"	108	2264038	CONTROL BOARD ASSEMBLY 24V MAX
4	2-300-160	BRUSH END HOUSING ASSEMBLY		2772016	TUBE W/BEARING RACE ASSEMBLY 24"	109	2365107	INSULATING PAD 2.3 X 3.2
5	144-017	BEARING- FLANGE (SERVICE ONLY)	54	2272068	TUBE OUTER 34" 62	111	2263448	SCREW, 8-32 X 1 [2.EA]
6	880-025	**SEAL [2.EA]		2272067	TUBE OUTER 24" 48"-52"	112	2261219	WIRE HARNESS AT & MAX 82.5
7	2-400-160	PLAIN END HOUSING ASSEMBLY	55	2266260	BEARING RACE-(565T)	113	2267500	CABLE ASSEMBLY-RIGHT 5'
	92-400-170	PLAIN END HOUSING ASSEMBLY 52" SONAR	57	2266220	BEARING RACE-STEEL	114	2267510	CABLE ASSEMBLY-LEFT 5'
	92-400-171	PLAIN END HOUSING ASSEMBLY 62" SONAR	■	2991824	BOWGUARD ASSEMBLY-FT CTRL,MAX 62	115	2265430	CABLE JACKET 5'
8	144-021	BEARING SPHERICAL		2991893	BOWGUARD ASSEMBLY-FT CTRL,MAX 52	116	2265110	BOOT-CONTROL BOX
9	784-025	BEARING RETAINER	58	2772315	BRACKET BASE TOP/EYELET ASSEMBLY	117	2265115	BOOT-FOOT PEDAL BASE
10	991-040	WASHER- FELT	59	2771993	BRKT BOTTOM/BEARING FW ASSEMBLY 62	118	2372100	SCREW-8-18 X 5/8 THD SS [2.EA]
11	186-094	BRUSH [2.EA]		2991999	BRKT BOTTOM/BEARING FW ASSEMBLY 52	119	2261714	WASHER-MAXXUM PT PDL [2.EA]
12B	640-017	LEADWIRE-BLACK 10 AWG 61 XLP	60	2772352	EYELET KIT -ROPE	120	2261901	BRACKET-CONDUIT AT/MAX
12R	640-121	LEADWIRE-RED 10 AWG 62 1/2	61	2263402	SCREW 1/4-20 X 3/4 ZINC	121	2263210	BRACKET-CONDUIT ADJUSTMENT
13	738-040	BRUSH PLATE 4"	62	2263404	SCREW-1/4-20X2-1/4 SHCP [2.EA]	122	2262720	SPRING-CONDUIT AD
14	975-041	SPRING- TORSION [2.EA]	63	2071541	SPRING-SLEEVE UPPER	123	2263466	SCREW-1/4-20 X 2 STL PPH
15	116-025	BALL- STEEL	64	2071535	SPRING SLEEVE, LOWER	124	2261227	LEADWIRE VARIABLE
16	303-043	THRUST DISC- METAL	65	2262712	SPRING, BOWGUARD, FC PAINTED	125	2020700	TERMINAL RING, 3/8 [2.EA]
17	701-009	**O-RING —THRU BOLT [2.EA]	67	2262605	PIN- THREADED	126	2256300	TIE WRAP-5.5 BLACK
18	701-043	**O-RING [2.EA]	68	2223100	NUT - NYLOC SS [2.EA]	127	2263201	CLAMP WIRE HARNESS MICRO [2.EA]
19	830-027	SCREW -SELF THREAD 10-32X2 [2.EA]	69	2261722	WASHER [2.EA]	128	2332103	SCREW-6-20 X 3/8 THD SS
20	830-094	THRU BOLT 12-24X10.31 [2.EA]	■	2994832	BAG ASSEMBLY	129	2260316	CONNECTING WIRE VAR.SPD
21	973-025	SPACER- BRUSH PLATE [2.EA]	*70	2261505	SPACER, MOTOR REST [6.EA]	130	2260312	WIRE,BLK W/WHT STRP 19 1/4
22	990-051	WASHER- STEEL	*71	2263434	SCREW, 8-18 X 1 PPH SS [2.EA]	131	2260323	WIRE,BLK W/GRN STP VARIABLE
23	990-052	WASHER- NYLATRON	72	2266000	BEARING BALL-STEEL	132	2254031	SWITCH-MOM/OFF/CON
24	2317033	MOTOR ASSEMBLY 24V 4" VARS TXT	73	2266115	BEARING CONE	133	2266412	SWITCH PLATE, PT PEDAL
	2327033	MOTOR ASSEMBLY 24V 4" VARS 52" SONAR	74	2261622	COLLAR HALF-PAINTED-2 PER- KIT	134	2332103	SCREW-6-20 X 3/8 THD SS [2.EA]
	2337038	MOTOR ASSEMBLY 24V 4" VARS 62" SONAR	75	2263453	SCREW-1/4-20 X 3/4 SHCS SS [2.EA]	135	2256301	TIE WRAP-5.5 WHITE [2.EA]
25	2032007	TUBE COMP W/CSK HOLE 62"	76	2260283	CONTROL BOX COVER-MAXXUM	136	2264511	BOTTOM PLATE, MAXXUM PT
	2032006	TUBE COMP W/CSK HOLE 52"	77	2372100	SCREW-8-18 X 5/8 THD [4.EA]	137	2372100	SCREW-8 X 1/2 SS [5.EA]
	2032005	TUBE COMP W/CSK HOLE 48"	78	2265532	DECAL COVER, MAXXUM 74	138	2266610	DECAL-ON/OFF SWITCH
■	1378129	PROPELLER KIT (includes 26-29)	79	2260150	POINTER DISC TRNSLCNT RED	139	2262535	CONTROL BOX-PLASTIC
26	2331120	PROPELLER W.WEDGE HP&RT	80	2265800	DECAL-INDICATOR	140	2267800	GEAR-INDICATOR [2.EA]
27	2091701	WASHER-PROP LARGE	81	2053414	SCREW-#8-32 X 1/2 TRI-LOBE [3.EA]	141	2262220	INDICATOR-DRIVE
28	2093101	NUT-PROP NYLOCK SS	82	2267800	GEAR-INDICATOR	142	2261905	BRACKET/INDICATOR
29	2092600	PIN-DRIVE SS	83	2301310	SCREW-8-18 X 1/2 SS	143	2301310	SCREW-8-18 X 1/2 SS
31	2030710	CONNECTOR BUTT [2.EA]	84	2355410	SHRINK TUBE-3/8 OD X 2- [2.EA]	144	2264015	LIGHT/INDICATOR
32	2030317	62" WIRE EXTENSION-18 RED	85	2232360	PULLEY-CABLE DRUM	■	2994830	BAG ASSEMBLY-MAXXUM
33	2030316	ONLY WIRE EXTENSION-18 BLACK	86	2261730	WASHER-NYLON	*145	2263431	SCREW 1/4-20 X 3.5 PPH [6.EA]
34	2375400	SHRINK TUBE 1/4ODX1-3/4 [2.EA]	87	2996247	PINION/RACE ASSEMBLY	*146	2261713	WASHER-1/4 FLAT S/S [6.EA]
■	2771864	MOUNT,BOW ASSEMBLY, FW 62 W/BG	88	2223468	SCREW-8-32 X 7/16 ZN PL [4.EA]	*147	2263103	NUT-1/4-20 NYLOCK-JAM [6.EA]
	2771869	MOUNT,BOW ASSEMBLY, FW 52 W/BG	89	2262607	PIN- CLEVIS ZN	148	2265126	BUMPER [4.EA]
36	2264246	ARM UPPER-FW LONG	90	2260801	SPRING CLIP ZN	149	2263455	SCREW #12 [4.EA]
37	2293501	BUSHING, STAINLESS STEEL [4.EA]	91	2150400	PULL-GRIP	■	2991550	CLAMP COLLAR ASSEMBLY
38	2263500	BOLT, SHOULDER MAXXUM [2.EA]	92	2151700	WASHER-EYE SHAFT .562 OD	150	2071550	CLAMP COLLAR "A"
39	2774317	ARM-LOWER ASSEMBLY,LG,FW,EXT	93	2790002	FOOT PEDAL/PLUG ASSEMBLY	151	2071555	CLAMP COLLAR "B"
40	2263913	MOTOR REST LONG MAXXUM	94	2263700	PUSH-BUTTON FOOT PEDAL	152	2072621	PIN-KNURLED
41	2265514	DECAL-MAXXUM,MOTOR REST [2.EA]	95	2302732	SPRING-LOWER PEDAL SS	153	2070120	KNOB-CLAMP COLLAR
42	2773986	BOWPLATE- FW LG MACH/INSERT	96	2264023	SWITCH-SEALED ASSEMBLY	154	2073412	SCREW 1/4-28 X 2 3/4" SS
43	2251601	ROPE 40" MAXXUM MOUNT	97	2262114	SCREW-MOUNTING/SWITCH [2.EA]	155	2071718	WASHER #10 NYLON RETAINING
44	2261708	WASHER-3/8X1/2X.010 SS [2.EA]	98	2233100	NUT-SWITCH MOUNT [2.EA]	156	2071716	WASHER - FLAT SS
45	2236000	BEARING NYLINER- [2.EA]	99	2260160	KNOB-SPEED CONTROL VAR	157	2073102	NUT - HEX 1/4 - 28 SS
46	2152610	SPRING-PIN LOCKBAR [2.EA]	100	2263000	E-RING TRU-ARC#5133-43	158	2071560	SPLIT COLLAR
47	2233600	LOCK BAR- BOW MOUNT	101	2266413	PLATE -TENSION SCREW FTPED.	159	2211400	EXTENSION CABLE- SONAR
48	2233602	LOCK BAR- REAR ZINC	102	2260511	PIN-PIVOT A/T PT PDL			
49	2152700	SPRING-LOCKBAR CAD.PLT	103	2774550	FT PEDAL BASE/PIN ASSEMBLY			
50	2262703	SPRING STOP	104	2262301	PULLEY- FOOT PEDAL			

**Seal & Oring Kit P/N 2889460

* This item is part of an assembly. This item cannot be sold separately due to machining and /or assembly that is required.

P/N 2264946 REV.E 6-02

