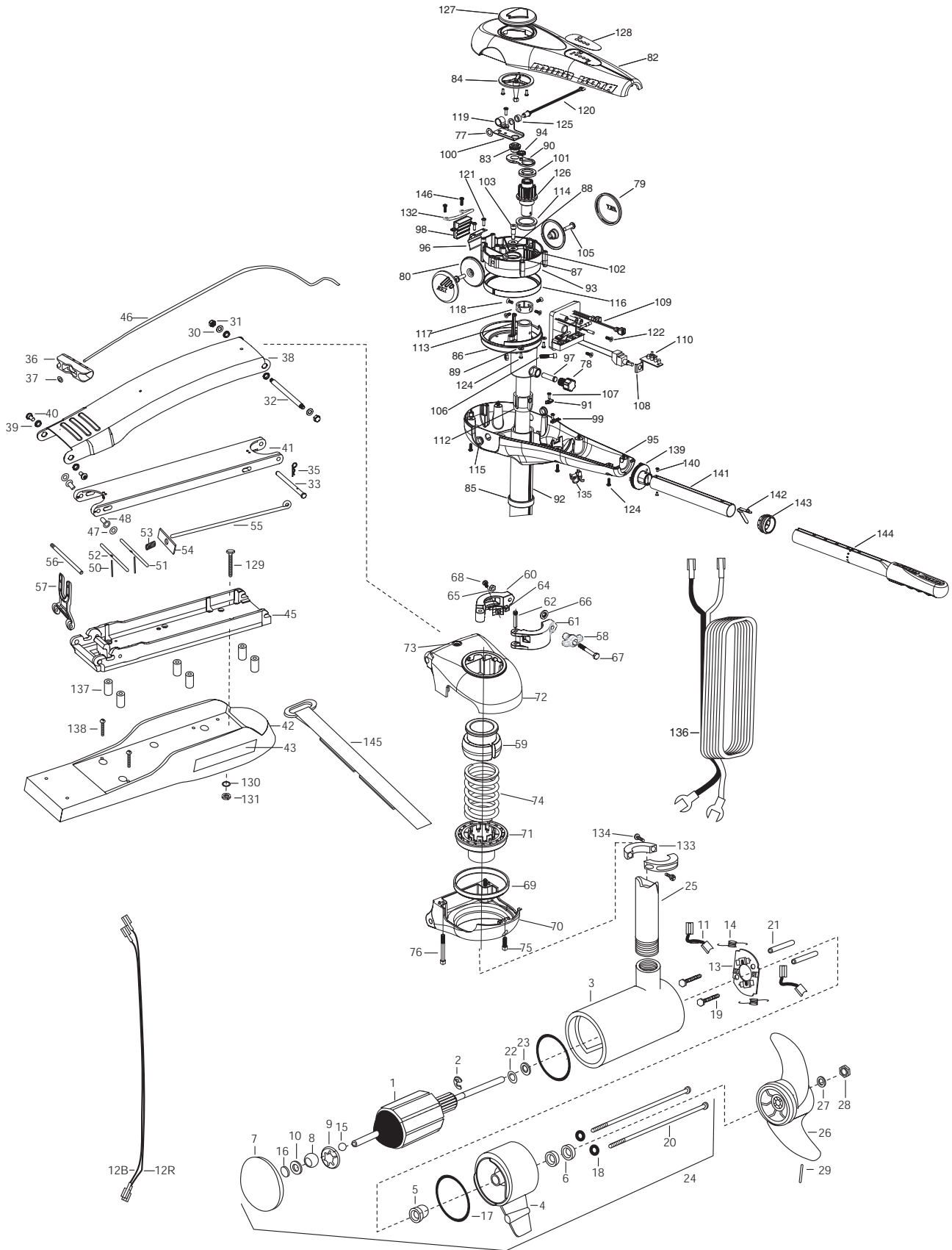


**MAXXUM 74/H -3X STEERING
BOWGUARD 360° MOUNT
74 LBS THRUST
24 VOLT 45 AMPS
52" SHAFT**

for use with motors with serial numbers beginning MKAE
3-year warranty from the date of purchase



1	2-100-103	ARMATURE ASSEMBLY 24V 4"	48	2236000	BEARING NYLINER-[2.EA]	97	2072710	SPRING TENSION SLEEVE
2	788-040	RETAINING RING	50	2152512	SPRING-PIN LOCKBAR [2.EA]	98	2072810	DETENT BLOCK-TILT
3	2-200-160	CENTER HOUSING ASSEMBLY 4.0 TXT	51	2233620	LOCK BAR- BOW MOUNT	99	2072811	DETENT BLOCK-SWITCH
4	2-300-160	BRUSH END HOUSING ASSEMBLY	52	2233622	LOCK BAR, REAR - ZINC	100	2072900	RETAINER COUPLER
5	144-017	BEARING- FLANGE (SERVICE ONLY)	53	2152700	SPRING-LOCKBAR CAD.PLTD	101	2073000	RING PRELOAD
6	880-025	**SEAL [2.EA]	54	2262703	SPRING STOP	102	2073100	HEX NUT - NYLOC [3 EA.]
7	2-400-160	PLAIN END HOUSING ASSEMBLY	55	2153602	EYE SHAFT-2LOCKBAR STD-PL	103	2073400	SCREW 5/16" X 1/2" SHOULDER
8	144-021	BEARING SPHERICAL	56	2260506	HINGE-PIN HEADLESS ZINC	105	2073408	SCREW [2 EA.]
9	784-025	BEARING RETAINER	57	2293811	YOKE,MAX MNT-POLYPROPYLENE	106	2073410	SCREW
10	991-040	WASHER- FELT	58	2070120	KNOB CLAMP COLLAR	107	2073414	SCREW 6-32 PPH
11	186-094	BRUSH [2.EA]	59	2071541	SPRING SLEEVE UPPER	108	2074000	POT CLIP
12B	640-021	LEADWIRE-BLACK 10 AWG 61 XLP	■	2991555	COLLAR/CLAMP ASSEMBLY	109	2074061	CONTROL BOARD ASSEMBLY
12R	640-126	LEADWIRE-RED 10 AWG 62 1/2	60	2071550	COLLAR CLAMP "A"	110	2074071	BATTERY METER
13	738-004	BRUSH PLATE 4"	61	2071555	COLLAR CLAMP "B"	112	2075100	TENSION SLEEVE
14	975-041	SPRING- TORSION [2.EA]	62	2072621	PIN KNURLED	113	2076700	KEY - TUBE
15	116-025	BALL- STEEL	64	2072821	ORIENTATION BLOCK	114	2077305	BEARING UPPER
16	303-043	THRUST DISC- METAL	65	2073100	NUT - NYLOC	115	2077316	BUSHING [2 EA.]
17	701-043	**O-RING [2.EA]	66	2071718	WASHER NYLON	116	2077320	BEARING - GEAR CARRIER
18	701-009	**O-RING - THRU BOLT[2.EA]	67	2073412	SCREW 1/4 - 20"HHC	117	2071560	COLLAR TUBE
19	830-027	SCREW -SELF THREAD 10-32X2 [2.EA]	68	2223454	SCREW 10-32 SS	118	2223468	SCREW 8-32 [4 EA.]
20	830-094	THRU BOLT 12-24X10.31 [2.EA]	■	2991893	BOWGUARD ASSEMBLY	119	2263201	CLAMP WIRE HARNESS
21	973-025	SPACER- BRUSH PLATE [2.EA]	■	2991999	BRACKET/BEARING ASSEMBLY	120	2264015	LIGHT INDICATOR
22	990-051	WASHER- STEEL	*69	2261534	BEARING	121	2372100	SCREW 8-18 SS [2 EA.]
23	990-052	WASHER- NYLATRON	*70	2262045	BRACKET BASE BOTTOM	122	2332101	SCREW 8-32 SS [4 EA.]
24	2317039	MOTOR ASSEMBLY 24V 4" VARS TXT006	71	2261535	SPRING SLEEVE	X	X	
25	2072006	TUBE- COMPOSITE 3:1 52"	72	2261971	BRACKET BASE TOP	124	2303412	SCREW 6-20 X 5/8" [8 EA.]
■	13781129	PROPELLER KIT (includes 26-29)	73	2262315	EYELET ROPE	125	2071525	SPACER-INDICATOR LIGHT
26	2331120	PROPELLER W/WEDGE	74	2262712	SPRING BOWGUARD	126	2992205	PINION - MAIN
27	2091701	WASHER-5/16 SS	75	2263402	SCREW 1/4 - 20" ZINC	127	2998600	INDICATOR ASSEMBLY
28	2093101	NUT-PROP NYLOC	76	2263404	SCREW 1/4 - 20" SHCP SS [2 EA.]	128	2075622	DECAL COVER MAX 74 W/3X
29	2092600	PIN-DRIVE	77	2013100	SPEED NUT	■	2994830	BAG ASSEMBLY - MAXXUM VECTOR
30	2261722	WASHER FLAT [2.EA]	78	2070105	KNOB-TENSION SLEEVE	*129	2263431	1/4-20X3.5" PPH [6.EA]
31	2223100	NUT- TENSION 5/16-18 SS [2 .EA]	79	2070110	PIVOT KNOB [2 EA.]	*130	2261713	WASHER 1/4 FLAT SS [6.EA]
32	2262605	PIN- BWGRD UPPER THREADED	80	2070117	COVER-PIVOT KNOB [2 EA.]	*131	2263103	NUT 1/4-20 NYLOC-JAM SS [6.EA]
33	2262607	CLEVIS PIN ZP MAXXUM BWGRD	82	2070201	COVER 3:1	132	2072815	BRACKET-TILT STOP
35	2260801	SPRING CLIP	83	2070800	COUPLER SOCKET	133	2261622	COLLAR HALF [2 EA.]
36	2150400	PULL-GRIP	84	2070810	COUPLER DRIVE	134	2263453	SCREW 1/4-20 X 1" [2 EA.]
37	2151700	WASHER-EYE SHAFT(.562 OD)	85	2071502	LOWER COLLAR SUPPORT	135	2052900	STRAIN RELIEF
■	2991854	MOUNT, BOW ASSEMBLY	86	2071510	YOKE-GEAR CARRIER	136	2090650	LEADWIRE
38	2264241	ARM-UPPER FW,STD.	87	2071710	WASHER NYLATRON [2 EA.]	■	2994832	BAG ASSEMBLY-MAXXUM VECTOR
39	2293501	BUSHING, STAINLESS STEEL [4.EA]	88	2071712	WASHER SS	*137	2261505	SPACER, MOTOR REST [6.EA]
40	2263500	BOLT- SHOULDER (MAXXUM) [2.EA]	89	2071714	WASHER FLAT #6 [2 EA.]	*138	2263434	SCREW, 8-18 X 1" PPH SS [2.EA]
41	2994307	ARM-LOWER ASSEMBLY,STD,FW,EXT	90	2071900	IDLER PLATE	139	2990404	PIVOT HANDLE ASSEMBLY
42	2263912	MOTOR REST STD. MAXXUM	91	2071905	BRACKET- SENSOR SWITCH	140	2072102	SCREW #6 X 1/4" [2 EA.]
43	2265514	DECAL-MAXXUM,MOTOR REST [2.EA]	92	2072080	OUTER TUBE 3:1 52"	141	2070425	HANDLE TUBE
44	2261505	SPACER, MOTOR REST [6.EA]	93	2072210	GEAR CARRIER	142	2070411	LATCH-BUTTON
45	2993987	BOWPLATE,STD. FW-MACH/INSERT	94	2072215	GEAR- IDLER	143	2070010	BEARING
46	2251601	ROPE (40"), MAXXUM MOUNT	95	2072501	CONTROL BOX	144	2990930	HANDLE ASSEMBLY-EXT.
47	2261707	WASHER-3/8X1/2X.010" SS [2.EA]	96	2072705	SPRING DETENT	145	2263804	STRAP-HOLD DOWN
						146	2332101	SCREW #8-32 X 1/2" SS [2 EA.]

**Seal & Oring Kit P/N 2889460 * This item is part of an assembly. This item cannot be sold separately due to machining and /or assembly that is required.

P/N 2074912

REV.A 7-03

