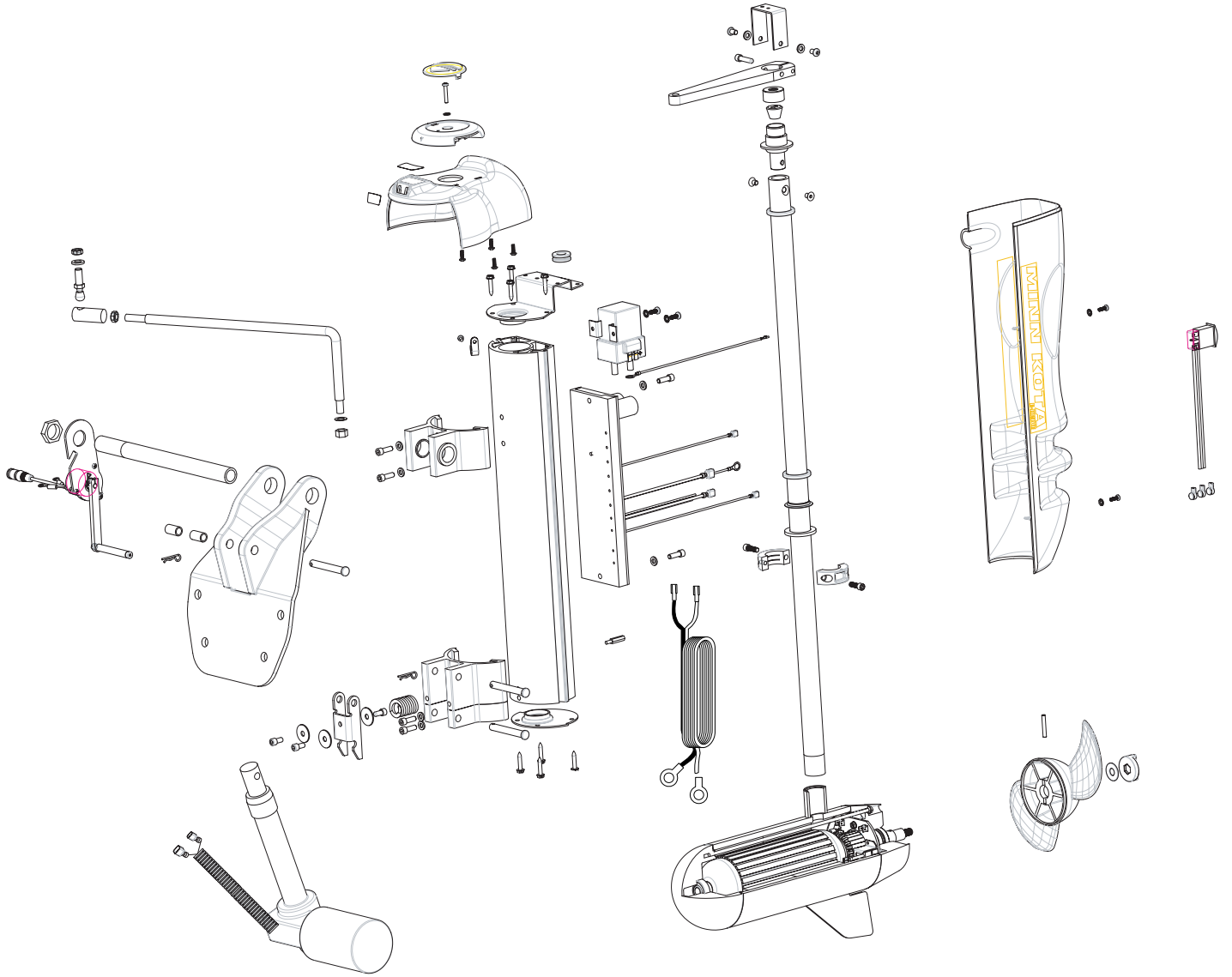


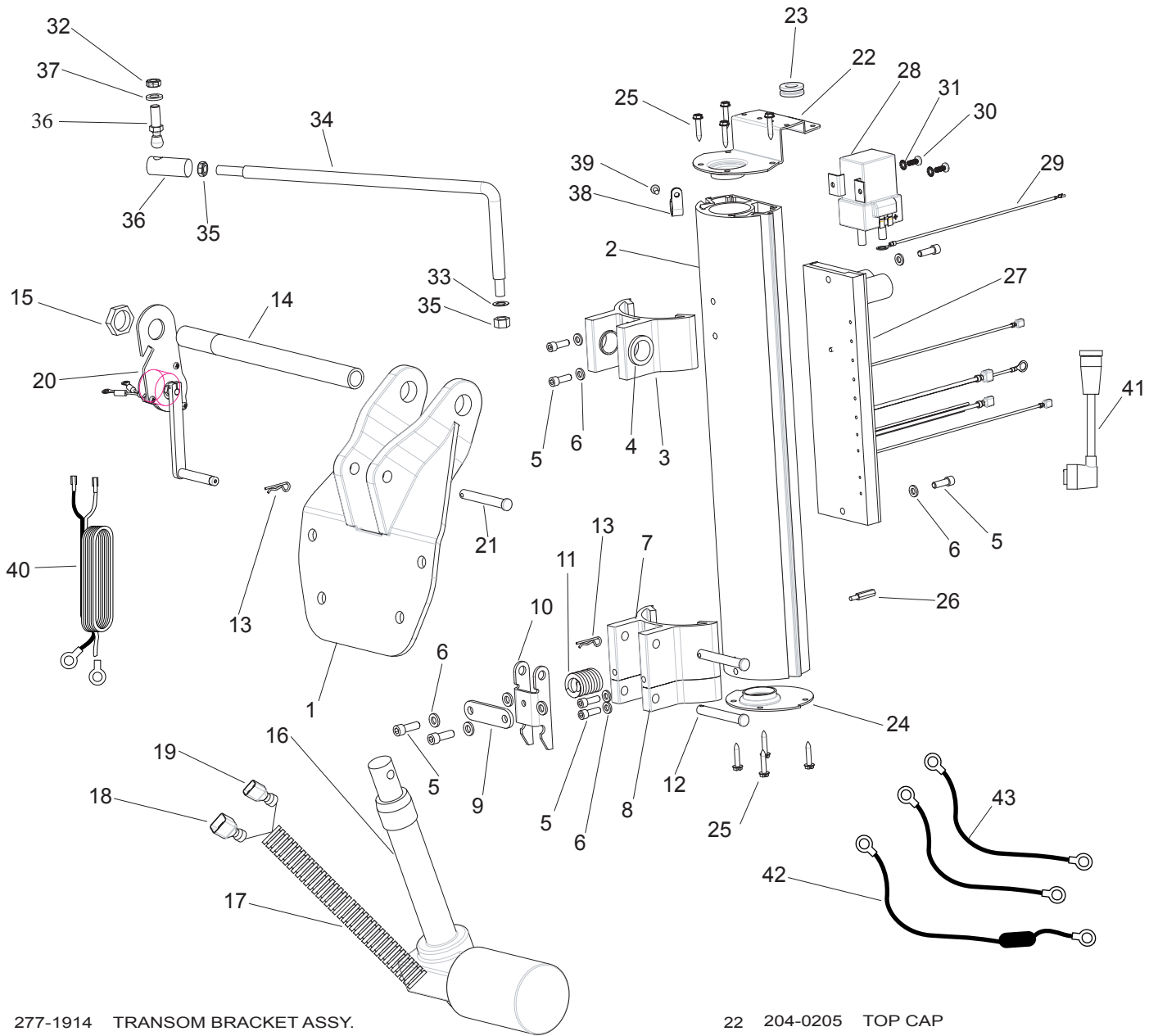
# E-DRIVE 2 hp, 48-volt

for use with motors with serial numbers beginning MKAE

(2-year warranty from date of purchase)



# EXTRUSION ASSEMBLY

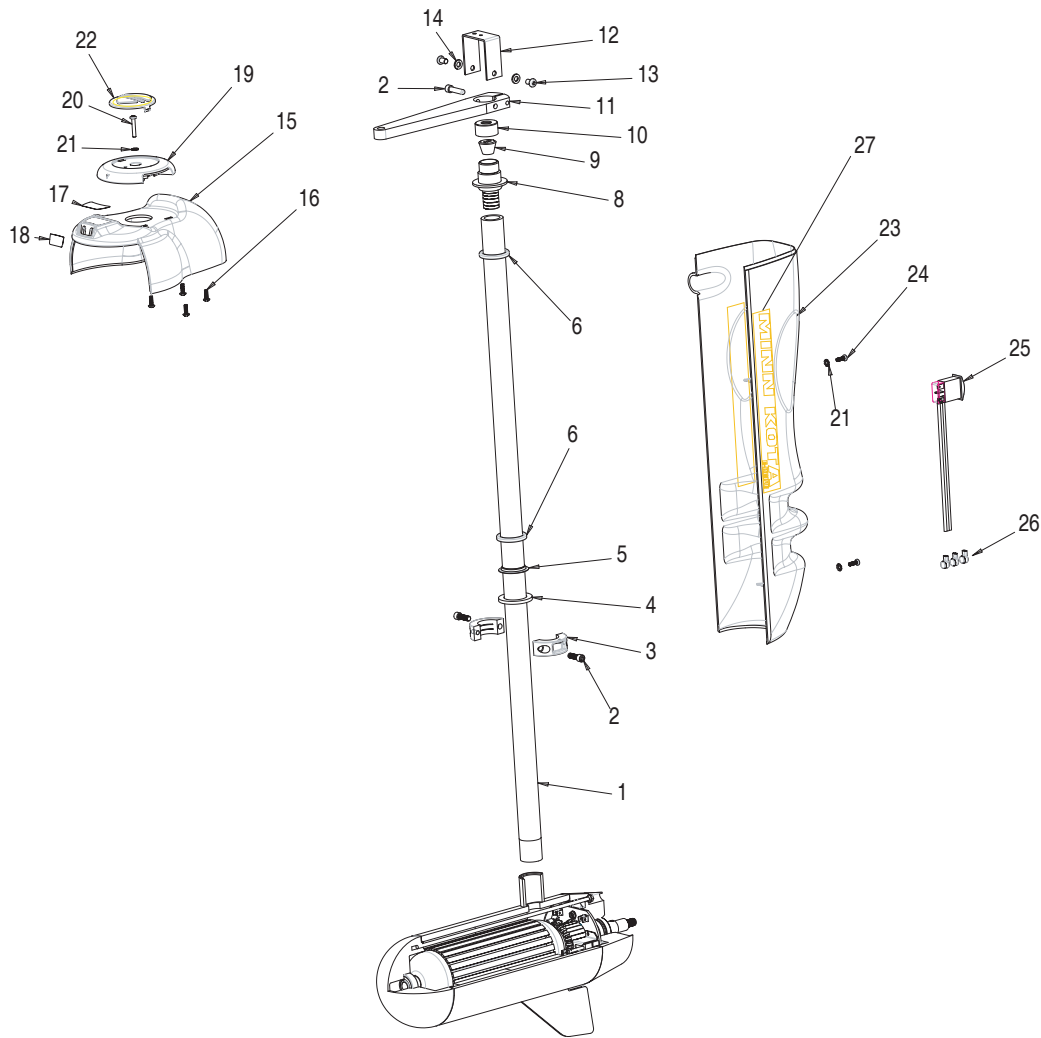


- 1 277-1914 TRANSOM BRACKET ASSY.
- 2 204-6505 MAIN EXTRUSION
- 277-1802 HINGE EXTRUSION ASSY.
- \*3 204-1802 HINGE EXTRUSION
- \*4 204-7300 BUSHING [2.EA]
- 5 995-4533 SCREW 1/4-20 X 3/4" [8.EA]
- 6 995-0357 LOCKWASHER [10.EA]
- 7 204-1806 SLIDE EXTRUSION
- 8 204-1804 STOP EXTRUSION
- 9 204-1940 LATCH PLATE
- 10 204-7200 LATCH
- 11 204-2715 SPRING
- 12 204-2600 SHORT CLEVIS PIN [2.EA]
- 13 226-0801 HAIR SPRING CLIP [3.EA]
- 14 204-2000 STEERING TUBE
- 15 995-0825 HEX STEERING NUT
- 277-2800 ACTUATOR ASSEMBLY  
(includes items #15, 16, 17, 18)
- 16 204-2801 ACTUATOR
- 17 204-2021 CORRUGATED TUBE
- 18 204-0710 TERMINAL [MALE]
- 19 204-0711 TERMINAL [FEMALE]
- 20 204-1935 TILT BRACKET
- 21 204-2601 LONG CLEVIS PIN

- 22 204-0205 TOP CAP
- 23 204-2905 GROMMET
- 24 204-0200 BOTTOM CAP
- 25 205-3413 SCREW #10-16 X 1" [8.EA]
- 26 204-2910 HEX STANDOFF
- 27 204-4005 CONTROL BOARD
- 28 204-0700 CONTACTOR
- 29 204-0600 CONNECTING WIRE
- 30 222-3454 SCREW #10-32 X 1/2"
- 31 226-1718 LOCK WASHER
- 277-4210 DRAG LINK ASSEMBLY  
(includes items #32,33,34,35,36,37)
- 32 238-3104 NYLOK NUT 3/8-24
- 33 990-067 THRUST WASHER
- 34 204-4210 DRAG LINK
- 35 226-3105 HEX NUT 3/8-24 [2.EA]
- 36 238-3515 QUICK DISCONNECT
- 37 990-9003 LOCK WASHER
- 38 205-2512 CABLE CLAMP
- 39 205-3415 SCREW 8-32 X 3/8" TRI-LOBE
- 40 204-0605 LEADWIRE 10GA.
- 41 204-1401 THROTTLE CABLE (3')
- 42 299-8200 CIRCUIT BREAKER ASSY.
- 43 234-0610 CONNECTOR CABLE [2.EA]

\* part of an assembly, not available separately.

# MOTOR SHAFT ASSEMBLY

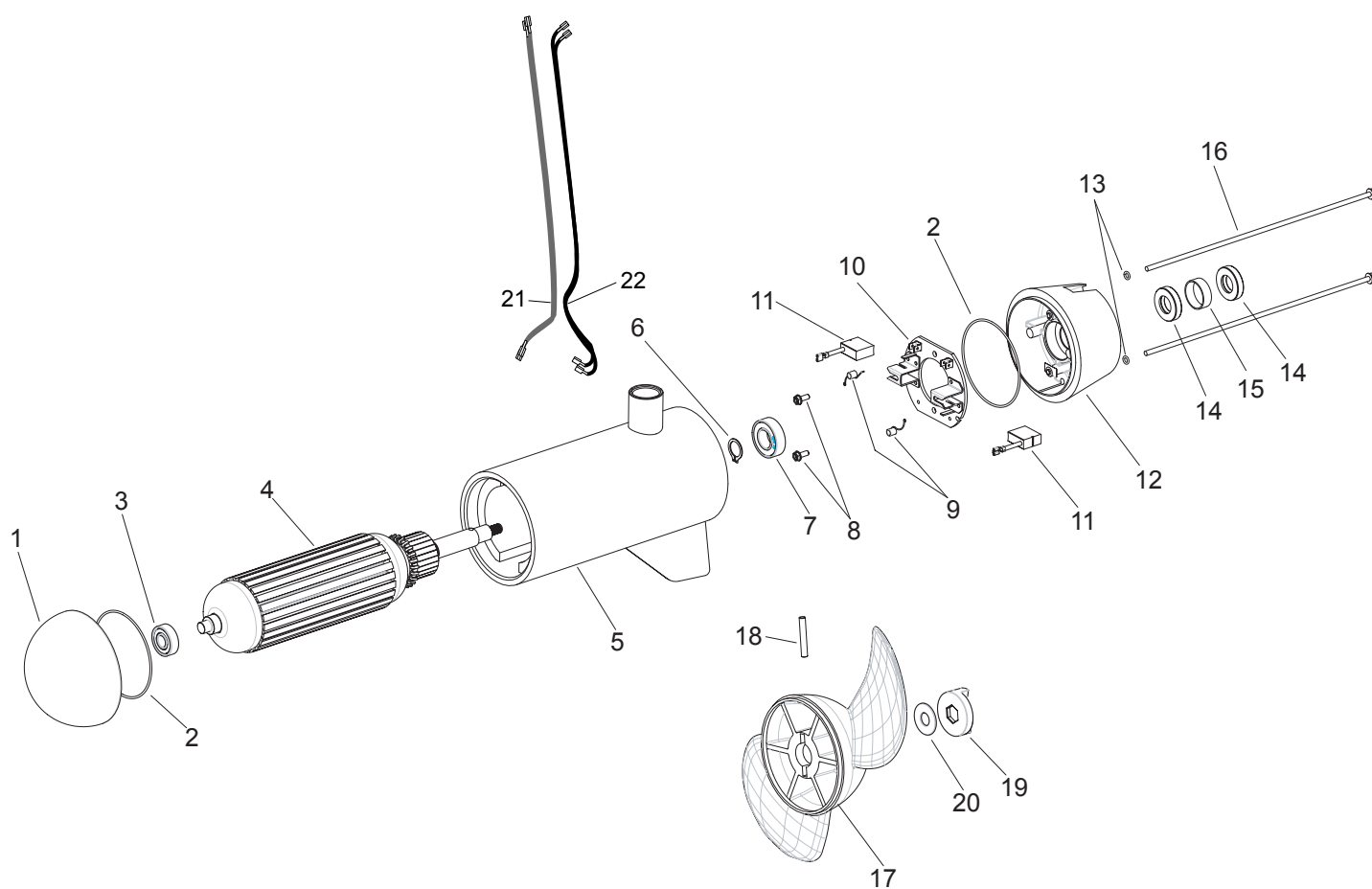


- 1 204-2011 MOTOR TUBE
- 2 226-3453 1/4-20 X 1" SHCS [2.EA]
- 3 226-1619 SPLIT COLLAR
- 4 204-1700 SPACER WASHER
- 5 226-6115 BEARING CONE
- 6 226-6000 BEARING [2.EA]
- 8 204-6201 MAIN BEARING RACE
- 9 238-2900 PLUG
- 10 995-0339 CAP
- 277-4200 STEERING ARM ASSEMBLY  
(includes items #2 and #12)
- \*11 204-4200 STEERING ARM
- 12 204-1910 INDICATOR BRACKET
- 13 204-3416 1/4-28 X 3/8" BHCS [2.EA]
- 14 995-0357 1/4" LOCK WASHER [2.EA]
- 15 205-0210 SHROUD
- 16 237-2100 SCREW #8 X 5/8" [4.EA]
- 17 204-5600 DECAL [TOP]
- 18 204-5610 DECAL [SIDE]

- 19 205-0110 POINTER KNOB
- 20 226-3447 SCREW #8-32 X 1 TRI-LOBE
- 21 237-1715 #8 LOCK WASHER [2.EA]
- 22 205-6700 POINTER
- 277-0222 SHIELD ASSEMBLY  
(includes items #23 and #27)
- \*23 204-0220 SHIELD
- 24 233-2101 #8-32 X 1/2" [2.EA]
- 25 299-4022 TILT SWITCH ASSEMBLY
- 26 204-0340 SCOTCHLOCK CONN. [3.EA]
- \*27 204-5611 DECAL-SHIELD

\* part of an assembly, not available separately.

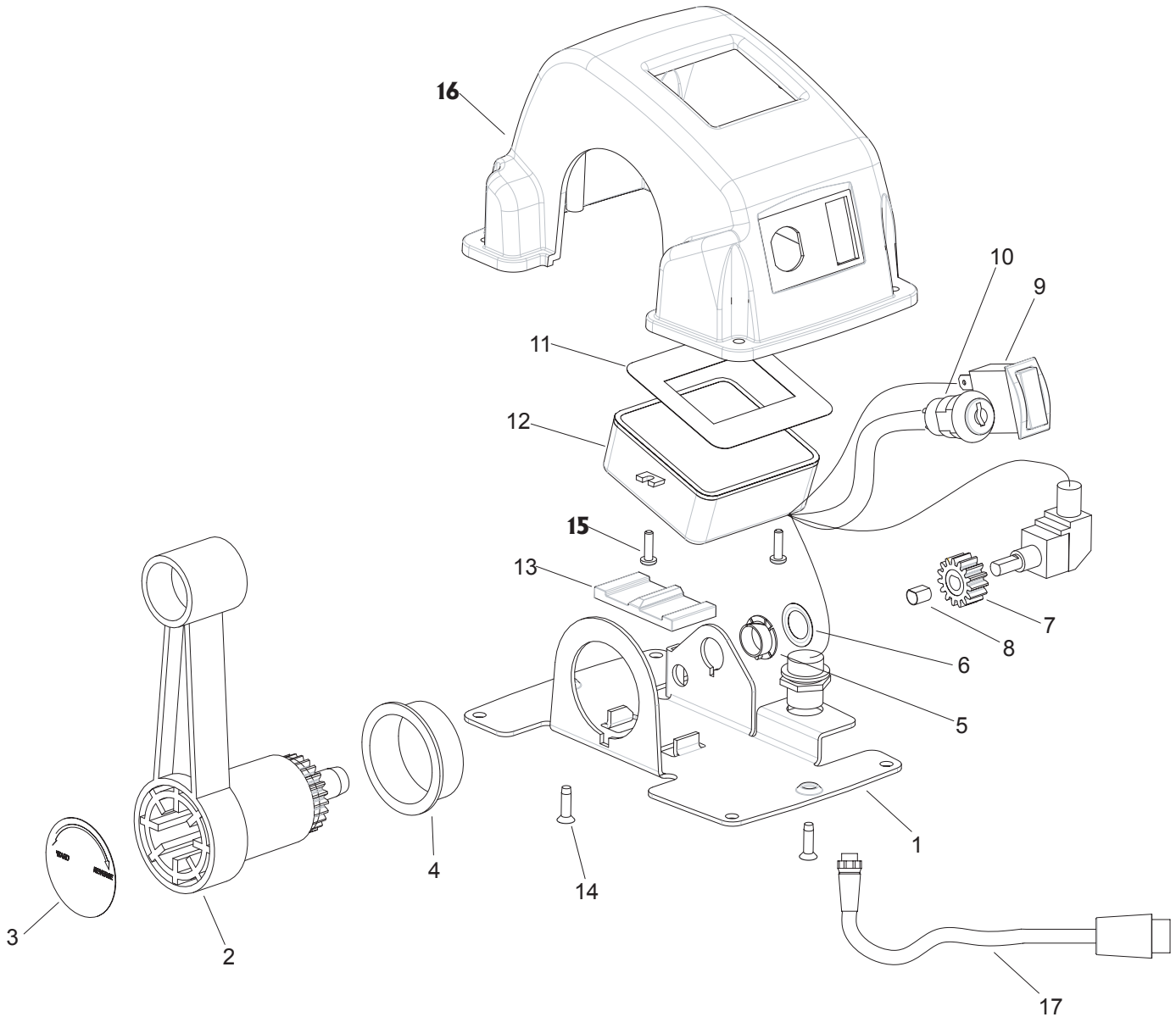
# LOWER UNIT ASSEMBLY



- 235-7000 MOTOR ASSEMBLY
- 1 421-310 PLAIN END
- 2 701-044 O-RING [2.EA]
- 3 140-011 BEARING
- 4 2-100-210 ARMATURE
- 92-200-210 CENTER HOUSING ASSEMBLY
- \*5 2-200-210 CENTER HOUSING
- 6 788-075 SNAP RING
- 7 140-013 BEARING
- 8 205-3410 SCREW [2.EA]
- 9 975-041 SPRING [2.EA]
- 92-600-210 BRUSH PLATE ASSEMBLY
- \*10 2-600-210 BRUSH PLATE
- 11 188-096 BRUSH [2.EA]
- 12 421-210 BRUSH END
- 288-4460 SEAL AND O-RING KIT
- 13 701-009 O-RING [2.EA]
- 14 880-027 SEAL [2.EA]
- 15 725-097 SEAL SPACER
- 16 830-096 THROUGH-BOLT [2.EA]
- 137-8140 PROP KIT (includes 17,18,19,20)
- \*17 299-1110 PROP ASSEMBLY
- 288-2601 PROP PIN / ANODE KIT
- \*18 235-2601 PROP PIN
- 19 219-8401 ANODE
- 20 209-1701 PROP WASHER
- 21 640-030 BLACK LEAD WIRE
- 22 640-130 RED LEAD WIRE

\* part of an assembly, not available separately.

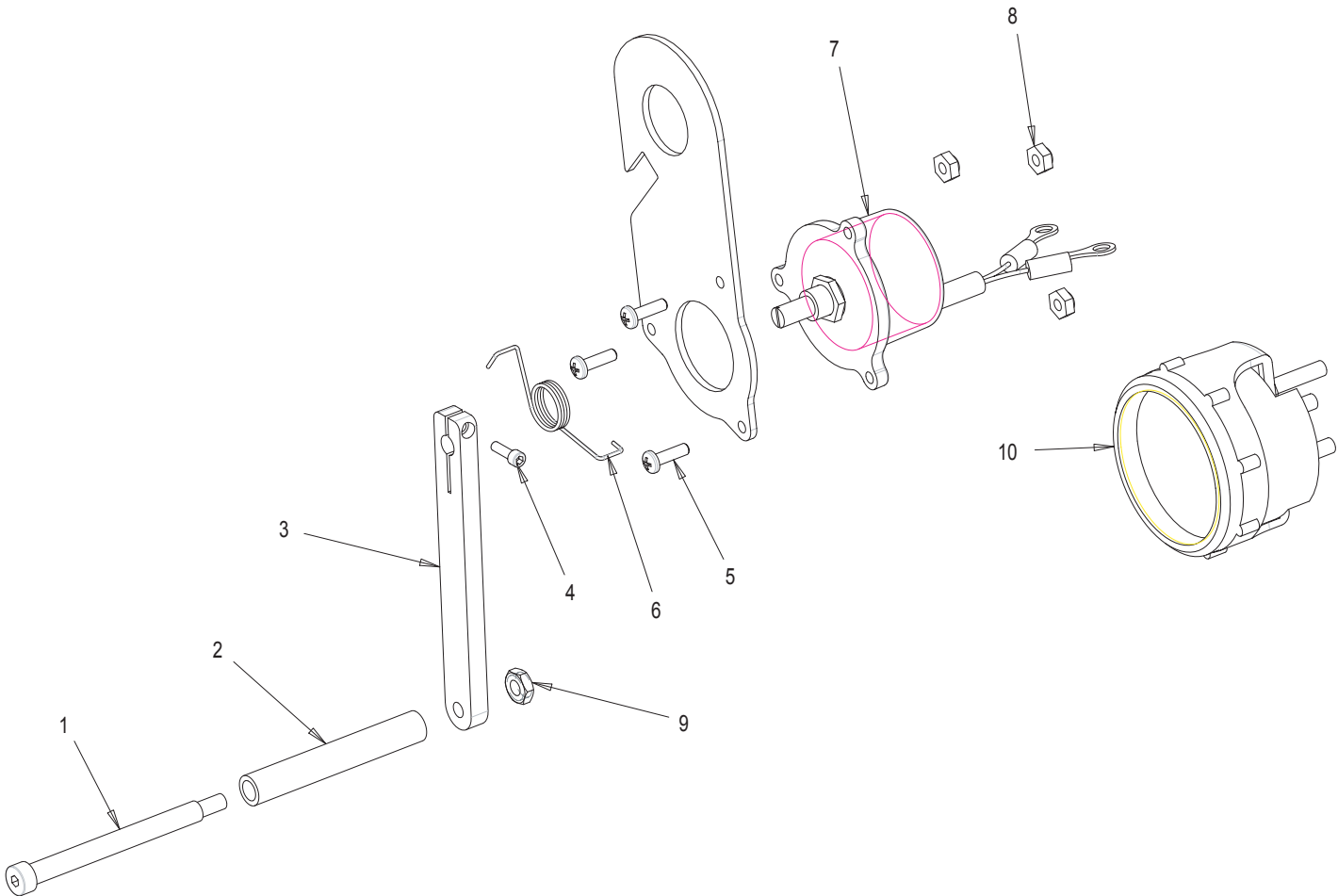
# THROTTLE ASSEMBLY



- 277-0216 THROTTLE ASSEMBLY
- 1 204-1915 BASE- THROTTLE
- 288-0900 HANDLE /W DECAL
- \*2 204-0900 HANDLE -THROTTLE
- \*3 204-5620 HANDLE- THROTTLE DECAL
- 4 230-7305 OUTER BUSHING
- 5 204-7315 BEARING- NYLINER
- 6 204-3110 SPEED NUT
- 7 204-2200 POTENTIOMETER GEAR
- 8 204-2705 KNOB SPRING
- 9 204-4020 TILT SWITCH
- 10 204-4025 KEY SWITCH
- 288-4013 LCD ASSEMBLY
- \*11 204-5615 LCD DECAL
- \*12 204-4011 LCD / CABLE ASSEMBLY  
(includes potentiometer and cable plug)
- 13 204-2701 HANDLE SPRING
- 14 204-3408 SCREW #8-18 X 5/8" [2.EA]
- 15 230-2100 SCREW #6-20 X 1/2" [2.EA]
- 16 204-0215 THROTTLE COVER
- 17 204-1402 THROTTLE CABLE (17')

\* part of an assembly, not available separately.

# TILT GAUGE ASSEMBLY



- 1 204-3500 SHOULDER BOLT
- 2 204-2005 ROLLER TUBE
- 3 204-4220 TILT SENDER ARM
- 4 204-3402 #4-40 X 7/16" SCREW
- 5 204-3400 #6-32 X 1/2" SCREW [3.EA]
- 6 204-2710 TORSION SPRING
- 7 299-8405 POTENTIOMETER ASSEMBLY
- 8 204-3112 #6-32 NYLOK NUT [3.EA]
- 9 201-3110 #10-24 HEX NUT
- 10 204-4030 TILT GAUGE

\* part of an assembly, not available separately.

# CONTROL BOARD WIRING (48-volt)

