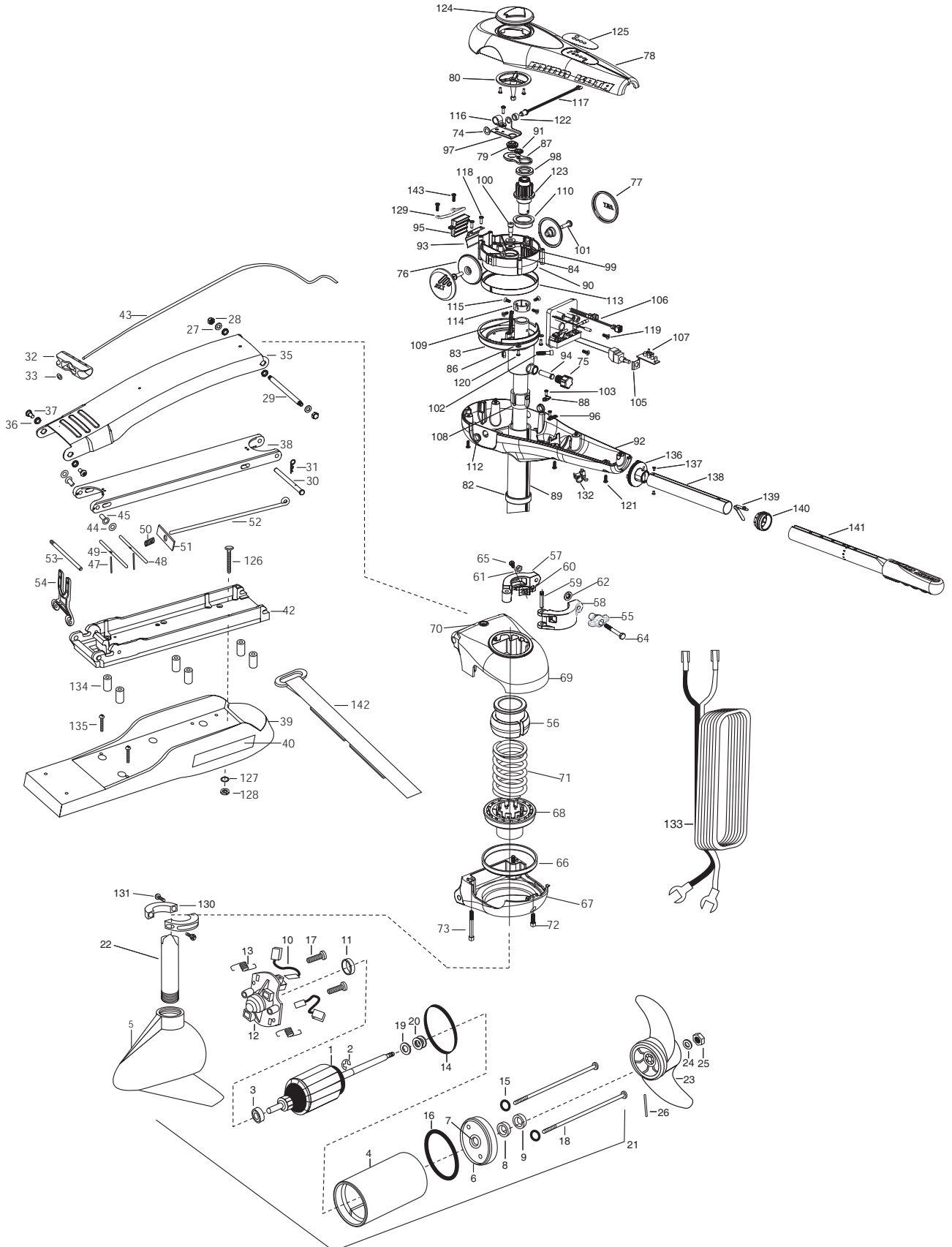


RT55/B/H-3X STEERING
BOWGUARD 360° MOUNT
55 LBS THRUST
12 VOLT 45 AMPS
52" SHAFT

for use with motors with serial numbers beginning MKAE
3-year warranty from the date of purchase



1	2-100-013	ARMATURE ASSEMBLY	48	2233621	LOCK BAR- BOW MOUNT	95	2072810	DETENT BLOCK-TILT
2	140-010	BALL BEARING	49	2233623	LOCK BAR, REAR - SS	96	2072811	DETENT BLOCK-SWITCH
3	788-015	RETAINING RING	50	2152701	SPRING-LOCKBAR SS	97	2072900	RETAINER COUPLER
4	2-200-301	HOUSING ASSEMBLY CENTER 3.62 TXT	51	2262703	SPRING STOP	98	2073000	RING PRELOAD
5	421-336	HOUSING -BRUSH END 3.62 TXT	52	2153603	EYE SHAFT-2LOCKBAR STD-SS	99	2073100	HEX NUT - NYLOC [2 EA.]
6	2-400-337	PLAIN END HOUSING ASSEMBLY 3.625	53	2260505	HINGE-PIN HEADLESS ZINC	100	2073400	SCREW 5/16" X 1/2" SHOULDER
7	144-049	BEARING - FLANGE (SERVICE ONLY)	54	2293811	YOKE,MAX MNT-POLYPROPYLENE	101	2073408	SCREW [2 EA.]
8	880-003	**SEAL	■	2991894	BOWGUARD ASSEMBLY	102	2073410	SCREW
9	880-006	**SEAL WITH SHIELD	55	2070120	KNOB CLAMP COLLAR	103	2073414	SCREW 6-32 PPH [2 EA.]
10	188-036	BRUSH ASSEMBLY [2.EA]	56	2071541	SPRING SLEEVE- UPPER	105	2074000	POT CLIP
11	725-050	BRUSH RETENTION- PAPER TUBE	■	2991555	COLLAR/CLAMP ASSEMBLY	106	2074060	CONTROL BOARD ASSEMBLY
12	738-036	BRUSH PLATE W/HOLDER	57	2071550	COLLAR CLAMP "A"	107	2074080	BATTERY METER
13	975-040	SPRING - TORSION [2.EA]	58	2071555	COLLAR CLAMP "B"	108	2075100	TENSION SLEEVE
14	337-036	**GASKET	59	2072621	PIN KNURLED	109	2076700	KEY - TUBE
15	701-008	**O-RING, THRU-BOLT [2.EA]	60	2072821	ORIENTATION BLOCK	110	2077305	BEARING UPPER
16	701-081	**O-RING	61	2073100	HEX NUT - NYLOC	112	2077316	BUSHING-PIVOT [2 EA.]
17	830-007	SCREW-8-32 [2.EA]	62	2071718	WASHER- #10 NYLON	113	2077320	BEARING - GEAR CARRIER
18	830-042	THRU-BOLT 10-32X8.83 [2.EA]	64	2073412	SCREW 1/4 - 20"HHC	114	2071560	COLLAR TUBE
19	990-067	WASHER- STEEL THRUST	65	2223454	SCREW 10-32 SS	115	2223468	SCREW 8-32 [4 EA.]
20	990-070	WASHER - NYLATRON [2.EA]	■	2991877	BRACKET/BEARING ASSEMBLY	116	2263201	CLAMP WIRE HARNESS
21	2099100	MOTOR ASSEMBLY 12V 3.62 VARS F/W	*66	2261531	BEARING	117	2264015	LIGHT INDICATOR
22	2072011	TUBE- COMPOSITE 3:1 52" WHT.	*67	2262048	BRACKET BASE BOTTOM	118	2372100	SCREW 8-18 SS [2 EA.]
■	1378122	PROPELLER KIT (includes 23-26)	68	2261535	SPRING SLEEVE LOWER	119	2332101	SCREW 8-32 SS [4 EA.]
23	2091150	PROPELLER W/WEDGE	69	2261972	BRACKET BASE TOP	120	2303412	SCREW 6-20 [2 EA.]
24	2151726	WASHER-5/16 SS	70	2262315	EYELET ROPE	121	2303412	SCREW 6-20 X 5/8" [6 EA.]
25	2198400	ANODE	71	2262705	SPRING BOWGUARD	122	2071525	SPACER-INDICATOR LIGHT
26	2092600	PIN-DRIVE	72	2263408	SCREW 1/4 - 20" SS	123	2992205	PINION - MAIN
27	2261722	WASHER 1/4 FLAT [2.EA]	73	2263404	SCREW 1/4 - 20" SHCP SS [2 EA.]	124	2998601	INDICATOR ASSEMBLY
28	2223100	NUT- TENSION 5/16-18 SS [2 .EA]	74	2013100	SPEED NUT	125	2075631	DECAL COVER RT55 W/3X
29	2262604	PIN- BWGRD UPPER THREADED	75	2070105	KNOB-TENSION	■	2994830	BAG ASSEMBLY - MAXXUM VECTOR
30	2262606	CLEVIS PIN ZP MAXXUM BWGRD	76	2070110	PIVOT KNOB [2 EA.]	*126	2263431	1/4-20X3.5" PPH [6.EA]
31	2260800	SPRING CLIP	77	2070118	COVER-PIVOT KNOB	*127	2261713	WASHER 1/4 FLAT SS [6.EA]
32	2150400	PULL-GRIP	78	2070206	COVER 3:1	*128	2263103	NUT 1/4-20 NYLOC-JAM SS [6.EA]
33	2151700	WASHER-EYE SHAFT(.562 OD)	79	2070800	COUPLER SOCKET	129	2072815	BRACKET-TILT STOP
■	2991857	MOUNT, BOW ASSEMBLY STD. WHT.	80	2070810	COUPLER DRIVE	130	2261622	COLLAR HALF [2 EA.]
35	2264244	ARM-UPPER SW,STD	82	2071500	COLLAR- LOWER	131	2263453	SCREW 1/4-20X1" [2 EA.]
36	2293501	BUSHING, STAINLESS STEEL [4.EA]	83	2071513	YOKE-PIVOT SUPPORT	132	2052900	STRAIN RELIEF
37	2263500	BOLT- SHOULDER (MAXXUM) [2.EA]	84	2071710	WASHER NYLATRON [2 EA.]	133	2090650	LEADWIRE
38	2994310	ARM-LOWER ASSEMBLY,STD,SWEXT	85	2071712	WASHER SS	■	2994832	BAG ASSEMBLY-MAXXUM VECTOR
39	2263914	MOTOR REST STD. MAXXUM	86	2071714	WASHER FLAT #6 [2 EA.]	*134	2261505	SPACER, MOTOR REST [6.EA]
40	2065676	DECAL-MAXXUM,MOTOR REST [2.EA]	87	2071900	IDLER PLATE	*135	2263434	SCREW, 8-18 X 1" PPH SS [2.EA]
41	2261505	SPACER, MOTOR REST [6.EA]	88	2071905	BRACKET- SENSOR SWITCH	136	2990404	PIVOT HANDLE ASSEMBLY
42	2993983	BOWPLATE, LONG SW-MACH/INSERT	89	2072091	OUTER TUBE 3:1 52" WHT.	137	2072102	SCREW #6 X 1/4" [2 EA.]
43	2251601	ROPE (40"), MAXXUM MOUNT	90	2072210	GEAR CARRIER	138	2070425	HANDLE-TUBE
44	2261707	WASHER-3/8X1/2X.010" SS [2.EA]	91	2072215	GEAR- IDLER	139	2070411	LATCH-BUTTON
45	2236000	BEARING NYLINER-[2.EA]	92	2072502	CONTROL BOX	140	2070010	BEARING
46	2263434	SCREW, 8-18 X 1" PPH SS [2.EA]	93	2072705	SPRING DETENT	141	2990930	HANDLE ASSEMBLY-EXT.
47	2152612	SPRING-PIN LOCKBAR [2.EA]	94	2072710	SPRING TENSION SLEEVE	142	2263804	STRAP-HOLD DOWN
						143	2332101	SCREW #8-32 X 1/2" SS [2 EA.]

****Seal & Oring Kit P/N 2888460** * This item is part of an assembly. This item cannot be sold separately due to machining and /or assembly that is required.

P/N 2074901

REV.A 7-03

