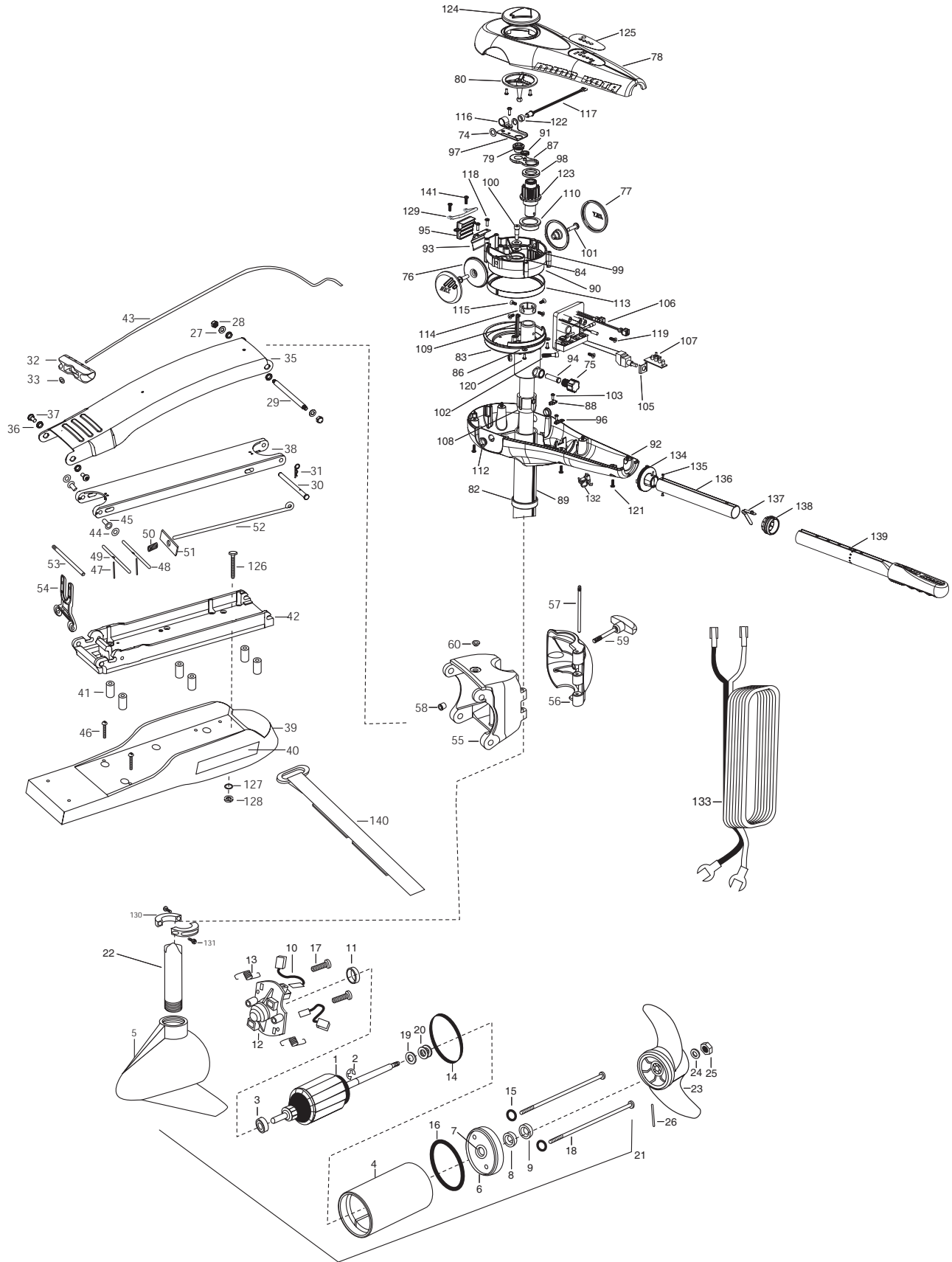


**RT55 B/H- 3X STEERING  
LATCH AND DOOR MOUNT  
55 LBS THRUST  
12 VOLT 45 AMPS  
52" SHAFT**

**for use with motors with serial numbers beginning MKAE  
3-year warranty from the date of purchase**



1	2-100-013	ARMATURE ASSEMBLY	43	2251601	ROPE (40"), MAXXUM MOUNT	100	2073400	SCREW 5/16 X 1/2" SHOULDER
2	140-010	BALL BEARING	44	2261707	WASHER-3/8X1/2X.010" SS [2.EA]	101	2073408	SCREW [2 EA.]
3	788-015	RETAINING RING	45	2236000	BEARING NYLINER-[2.EA]	102	2073410	SCREW
4	2-200-301	HOUSING ASSEMBLY CENTER 3.62 TXT	46	2263434	SCREW, 8-18 X 1" PPH SS [2.EA]	103	2073414	SCREW 6-32 PPH [2 EA.]
5	421-336	HOUSING -BRUSH END 3.62 TXT	47	2152612	SPRING-PIN LOCKBAR [2.EA]	105	2074000	POT CLIP
6	2-400-337	PLAIN END HOUSING ASSEMBLY 3.625	48	2233621	LOCK BAR- BOW MOUNT	106	2074060	CONTROL BOARD ASSEMBLY
7	144-049	BEARING - FLANGE (SERVICE ONLY)	49	2233623	LOCK BAR, REAR - SS	107	2074080	BATTERY METER
8	880-003	**SEAL	50	2152701	SPRING-LOCKBAR-SS	108	2075100	TENSION SLEEVE
9	880-006	**SEAL WITH SHIELD	51	2262703	SPRING STOP	109	2076700	KEY - TUBE
10	188-036	BRUSH ASSEMBLY [2.EA]	52	2153603	EYE SHAFT-2LOCKBAR-SS	110	2077305	BEARING UPPER
11	725-050	BRUSH RETENTION- PAPER TUBE	53	2260505	HINGE-PIN HEADLESS-SS	112	2077316	BUSHING-PIVOT [2 EA.]
12	738-036	BRUSH PLATE W/HOLDER	54	2293811	YOKE,MAX MNT-POLYPROPYLENE	113	2077320	BEARING - GEAR CARRIER
13	975-040	SPRING - TORSION [2.EA]	■	2881828	HINGE BASE ASSEMBLY	114	2071560	COLLAR TUBE
14	337-036	**GASKET	55	2991828	HINGE BASE	115	2223468	SCREW 8-32 [4 EA.]
15	701-008	**O-RING, THRU-BOLT [2.EA]	56	2261859	HINGE DOOR-SW TEXT. WHT	116	2263201	CLAMP WIRE HARNESS
16	701-081	**O-RING	57	2262642	PIN-HINGE DOOR, RT HNG/DOOR	117	2264015	LIGHT INDICATOR
17	830-007	SCREW-8-32 [2.EA]	58	2264706	INSERT-HINGE BASE (STD MNT)	118	2372100	SCREW 8-18 SS [2 EA.]
18	830-042	THRU-BOLT 10-32X8.83 [2.EA]	59	2260186	KNOB-HINGE COVER SW SS	119	2332101	SCREW 8-32 SS [4 EA.]
19	990-067	WASHER- STEEL THRUST	60	2232315	EYELET-ROPE SS	120	2303412	SCREW 6-20 [2 EA.]
20	990-070	WASHER - NYLATRON [2.EA]	74	2013100	SPEED NUT	121	2303412	SCREW 6-20 X 5/8" [6 EA.]
21	2099100	MOTOR ASSEMBLY 12V 3.62 VARS F/W	75	2070105	KNOB-TENSION	122	2071525	SPACER-INDICATOR LIGHT
22	2072011	TUBE- COMPOSITE SW WHT. 52"	76	2070110	PIVOT KNOB [2 EA.]	123	2992205	PINION - MAIN
■	1378122	PROPELLER KIT (includes 23-26)	77	2070118	COVER-PIVOT KNOB [2 EA.]	124	2998601	INDICATOR ASSEMBLY
23	2091150	PROPELLER W/WEDGE	78	2070206	COVER 3:1	125	2075631	DECAL COVER RT 55 3X
24	2151726	WASHER-5/16 SS	79	2070800	COUPLER SOCKET	■	2994830	BAG ASSEMBLY - MAXXUM VECTOR
25	2198400	ANODE	80	2070810	COUPLER DRIVE	*126	2263431	1/4-20X3.5" PPH [6.EA]
26	2092600	PIN-DRIVE	82	2071500	COLLAR-LOWER	*127	2261713	WASHER 1/4 FLAT SS [6.EA]
27	2261722	WASHER 1/4 FLAT ZINC [2.EA]	83	2071513	YOKE-PIVOT SUPPORT	*128	2263103	NUT 1/4-20 NYLOC-JAM SS [6.EA]
28	2263100	NUT- TENSION 5/16-18 SS [2 .EA]	84	2071710	WASHER NYLATRON [2 EA.]	129	2072815	BRACKET- TILT STOP
29	2262604	PIN- BWGRD UPPER THREADED	85	2071712	WASHER SS	130	2261622	COLLAR HALF [2 EA.]
30	2262606	CLEVIS PIN ZP MAXXUM BWGRD	86	2071714	WASHER FLAT #6 [2 EA.]	131	2263453	SCREW 1/4-20 X1" [2 EA.]
31	2260800	SPRING CLIP	87	2071900	IDLER PLATE	132	2052900	STRAIN RELIEF
32	2150400	PULL-GRIP	88	2071905	BRACKET- SENSOR SWITCH	133	2090650	LEADWIRE
33	2151700	WASHER-EYE SHAFT(.562 OD)	89	2072091	OUTER TUBE 3:1 SW WHT. 52"	134	2990404	PIVOT HANDLE ASSEMBLY
■	2771828	HINGE BASE/BOWMOUNT ASSEMBLY	90	2072210	GEAR CARRIER	135	2072102	SCREW #6 X 1/4" [2 EA.]
■	2991857	MOUNT, BOW ASSEMBLY STD.	91	2072215	GEAR- IDLER	136	2070425	HANDLE TUBE
35	2264244	ARM-UPPER SW	92	2072502	CONTROL BOX	137	2070411	LATCH-BUTTON
36	2293501	BUSHING, STAINLESS STEEL [4.EA]	93	2072705	SPRING DETENT	138	2070010	BEARING
37	2263500	BOLT- SHOULDER (MAXXUM) [2.EA]	94	2072710	SPRING TENSION SLEEVE	139	2990930	HANDLE ASSEMBLY-EXT.
38	2994310	ARM-LOWER ASSEMBLY,STD,SW,EXT	95	2072810	DETENT BLOCK-TILT	140	2263804	STRAP-HOLD DOWN
39	2263914	MOTOR REST STD MAXXUM	96	2072811	DETENT BLOCK-SWITCH	141	2332101	SCREW #8-32 X 1/2"SS [2 EA.]
40	2065676	DECAL-MAXXUM,MOTOR REST [2.EA]	97	2072900	RETAINER COUPLER			
41	2261505	SPACER, MOTOR REST [6.EA]	98	2073000	RING PRELOAD			
42	2993983	BOWPLATE,STD, SW-MACH/INSERT	99	2073100	HEX NUT - NYLOC [3 EA.]			

\*\*Seal & Oring Kit P/N 2888460

\* This item is part of an assembly. This item cannot be sold separately due to machining and /or assembly that is required.

P/N 2074902

REV.A 7-03

