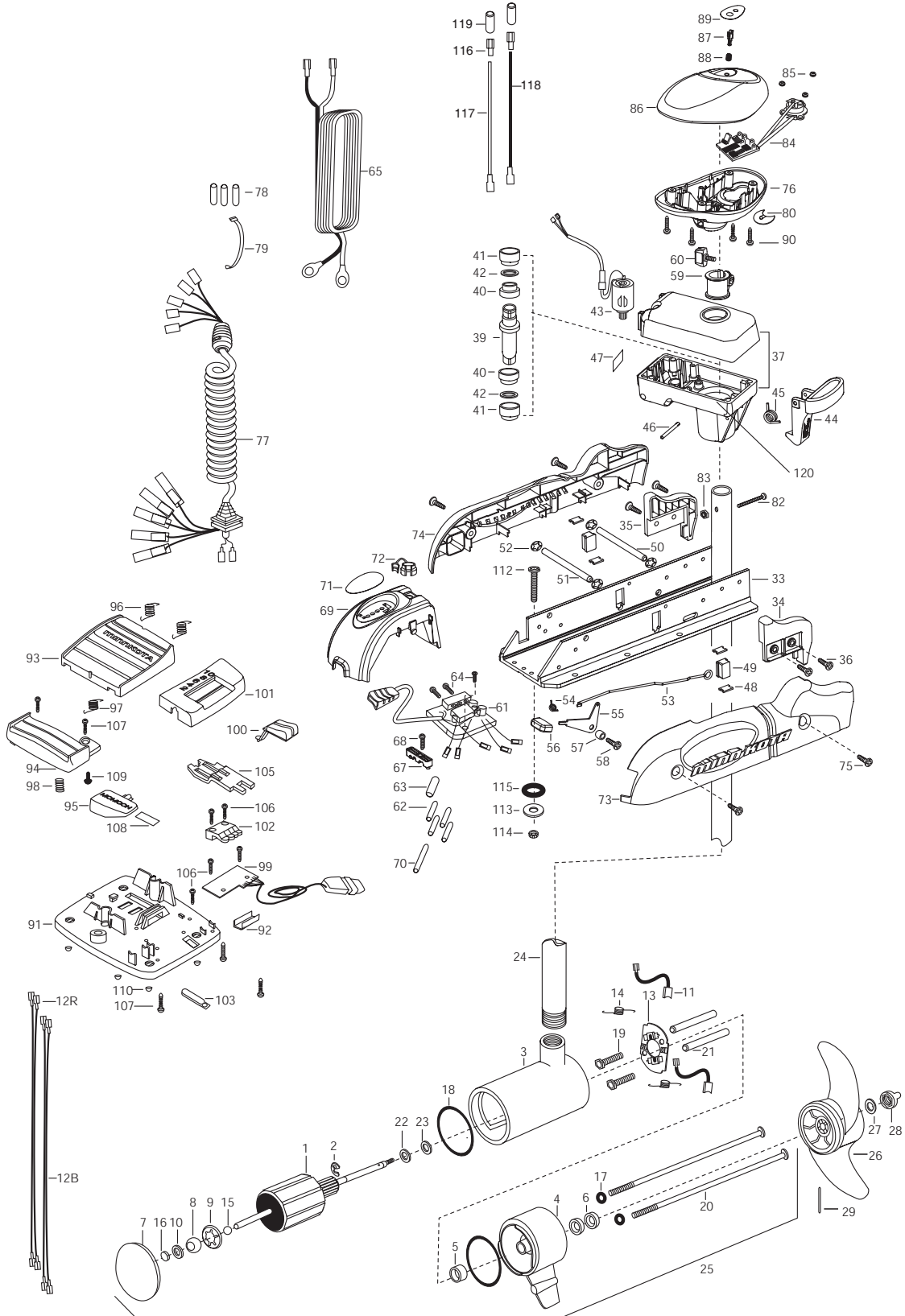


RT74/AP
74 LBS THRUST
24 VOLT 45 AMPS
54" OR 60" SHAFT

for use with motors with serial numbers beginning MKAE
3-year warranty from the date of purchase



1	2-100-103	ARMATURE ASSEMBLY 24V 4.0 74#	*39	2302010	DRIVE HOUSING OUTPUT SHAFT	80	2224701	INSERT- PLUG WHITE
2	788-040	RETAINING RING	*40	2307304	BUSHING- INNER [2.EA]	82	2332102	SCREW-10-24 X 1-3/4 PPH SS
3	2-200-397	CENTER HOUSING ASSEMBLY 4.0 MAGNE	*41	2307305	BUSHING- OUTER [2.EA]	83	2994023	NUT-HEX 10-24 UNC-2B NYLOC
4	2-300-340	BRUSH END HOUSING ASSEMBLY 4.0 SW	*42	2304603	O-RING [2.EA]	84	2994023	CNTRL BOARD/AP COMPASS ASSEMBLY
5	144-017	BEARING- FLANGE	43	2307050	MOTOR- DRIVE HOUSING HIGH SPD	85	2302960	GROMMET-COMPASS [3.EA]
6	880-025	**SEAL [2.EA]	44	2307215	LATCH HANDLE PD/AP	86	2300243	CONTROL BOX COVER- RT/AP WHITE
7	2-400-341	PLAIN END HOUSING ASSEMBLY 4.0	45	2302750	SPRING- LATCH TORSION PD/AP	87	2304082	ACTUATOR- SWITCH ON/OFF A/P
8	144-021	BEARING- SPHERICAL	46	2302626	PIN- ROLL 3/16 X 2 SS	88	2302752	SPRING- ACTUATOR PD/AP SS
9	784-025	BEARING RETAINER	47	2305514	DECAL-STOW/DEPLOY PD/AP 2001	89	2305671	DECAL- COVER ON/OFF RT74/AP
10	991-040	WASHER- FELT	48	2335110	PAD-PIVOT SUPPORT SS [4.EA]	90	2372100	SCREW-8-18 X 5/8 SS [4.EA]
11	188-094	BRUSH 4"W/TERMINAL [2.EA]	49	2305102	PIVOT PAD [2.EA]	■	2774700	FOOT PEDAL ASSEMBLY
12B	640-015	BRUSH WIRE 10 AWG- BLACK 61	50	2300505	PIN-LATCH PD BASE SS	91	2304511	FOOT PEDAL BASE
12R	640-119	BRUSH WIRE 10 AWG- RED 62.5	51	2300515	PIN-PIVOT PD BASE SS	92	2308500	WEAR PLATE FOOT PDL
13	738-004	BRUSH PLATE- 4" TERMINAL	52	2333100	NUT-SPEED SS [4.EA]	93	2304516	FOOT PEDAL-UPPER
14	975-041	SPRING- TORSION [2.EA]	53	2303612	ROD-RELEASE RT/AP SS	94	2304520	FOOT PEDAL-LOWER
15	116-025	BALL- STEEL	54	2302700	SPRING-RELEASE LEVER	95	2307210	LEVER MOM/CON-
16	303-043	THRUST DISC- METAL	55	2333705	LEVER-RELEASE SS	96	2302730	SPRING-LONG-UPPER PEDAL [2.EA]
17	701-009	**O-RING- THRU BOLT [2.EA]	56	2300101	RELEASE-KNOB	97	2302731	SPRING-SHORT-UPPER PEDAL
18	701-043	**O-RING [2.EA]	57	2301700	SPACER-RELEASE LEVER	98	2302732	SPRING-LOWER PEDAL
19	830-027	SCREW- SELF-THREAD 10-32 X 2 [2.EA]	58	2332104	SCREW-1/4-20 X 5/8 SS	99	2304012	CONTROL BOARD ASSEMBLY-FT PDL
20	830-094	THRU BOLT- 12-24 X 10.31 [2.EA]	59	2031522	COLLAR- DRIVE (W/INSERT)	100	2300120	KNOB-SPEED SELECTOR
21	973-025	SPACER- BRUSH PLATE [2.EA]	60	2011366	SCREW-COLLAR/NEW KNOB SS	101	2300121	HOUSING SPEED SELECTOR
22	990-051	WASHER- STEEL THRUST	61	2304044	CTRL BOARD ASSEMBLY-24V PD/AP	102	2302840	ACTUATOR-BOARD
23	990-052	WASHER- NYLATRON	62	2355410	SHRINK TUBE-3/8 OD X 2	103	2302841	ACTUATOR-MOM/CON
24	2032024	TUBE- COMPOSITE 54" AP WHT	63	2305400	SHRINK TUBE 3/8 X 1-1 [4.EA]	105	2302842	ACTUATOR-STEERING
	2032026	TUBE - COMPOSITE 60" AP WHT	64	2332100	SCREW-8-32 X 3/8 [3.EA]	106	2302100	SCREW-6-20 X 1/2 [5.EA]
25	2317042	MOTOR ASSEMBLY 24V 4" VARS	65	2090651	LEADWIRE 10GA	107	2372100	SCREW-8-18 X 5/8 [5.EA]
■	1378129	PROPELLER KIT (prop, washer, nut, & pin)	67	2222906	STRAIN RELIEF- BRACKET PD/AP	108	2266610	DECAL-ON/OFF SWITCH
26	2331120	PROPELLER W/WEDGE	68	2332104	SCREW-1/4-20 X 5/8 SS	109	2335130	BUMPER ACTUATOR
27	2091701	WASHER-5/16 SS	69	2306556	HOUSING- CENTER RT/AP WHITE	110	2994807	BAG ASSEMBLY- 4 RUBBER BUMPERS
28	2198401	ANODE- ZINC 4" LWR U	70	2375400	SHRINK TUBE 1/4OD X 1-3/4	■	2994812	BAG ASSEMBLY- (BOLT, NUT, WASHERS)
29	2092600	PIN-DRIVE	71	2306612	DECAL, BATTERY GAUGE H-RT AP	*112	2333500	BOLT-MOUNTING SS [6.EA]
30	2301555	COLLAR- LATCH PD/AP	72	2302935	STRAIN RELIEF-DR. HOUSING	*113	2151726	WASHER-5/16 STD SS [6.EA]
31	2303434	SCREW- 8-32 X 5/8 MACH PHCR	73	2303944	SIDEPLATE (RIGHT) WHITE	*114	2383106	NUT-5/16-18 SS [6.EA]
32	2303112	NUT 8-32 NYLOC SS	74	2303949	SIDEPLATE (LEFT) WHITE	*115	2301720	WASHER-MOUNTING RUBBER [6.EA]
33	2301933	EXTRUSION- BASE ANODIZED PD/AP	75	2332104	SCREW-1/4-20 X 5/8 SS[4.EA]	116	2030710	CONNECTOR BUTT [2.EA]
34	2303933	MOTOR REST- RIGHT LARGE 4"	76	2302516	CONTROL BOX RT WHITE	117	2030317	WIRE EXTENSION 18" - RED
35	2303938	MOTOR REST- LEFT LARGE 4"	77	2991261	COIL CORD WSTRAIN RELIEF AP 54"	118	2030316	WIRE EXTENSION 18" - BLACK
36	2332104	SCREW 1/4-20 X 5/8 SS [4.EA]		2991262	COIL CORD WSTRAIN REFIEF AP 60"	119	2375400	SHRINK TUBE 1/4OD X 1-3/4 [2 EA.]
37	2991837	DRIVE HOUSING AP SW WHITE	78	2065400	WIRE INSULATOR-LGE 1-3/4 [3.EA]	120	2304604	O-RING CASE SEAL
■	2882011	BUSHING/ OUTSHAFT KIT (INCLUDES 39-42)	79	9950433	TIE WRAP-4" BLACK			

**Seal & Oring Kit P/N 2889460 * This item is part of an assembly. This item cannot be sold separately due to machining and /or assembly that is required.

P/N 2304912

REVA 6-03

RT74AP Wiring Diagram

