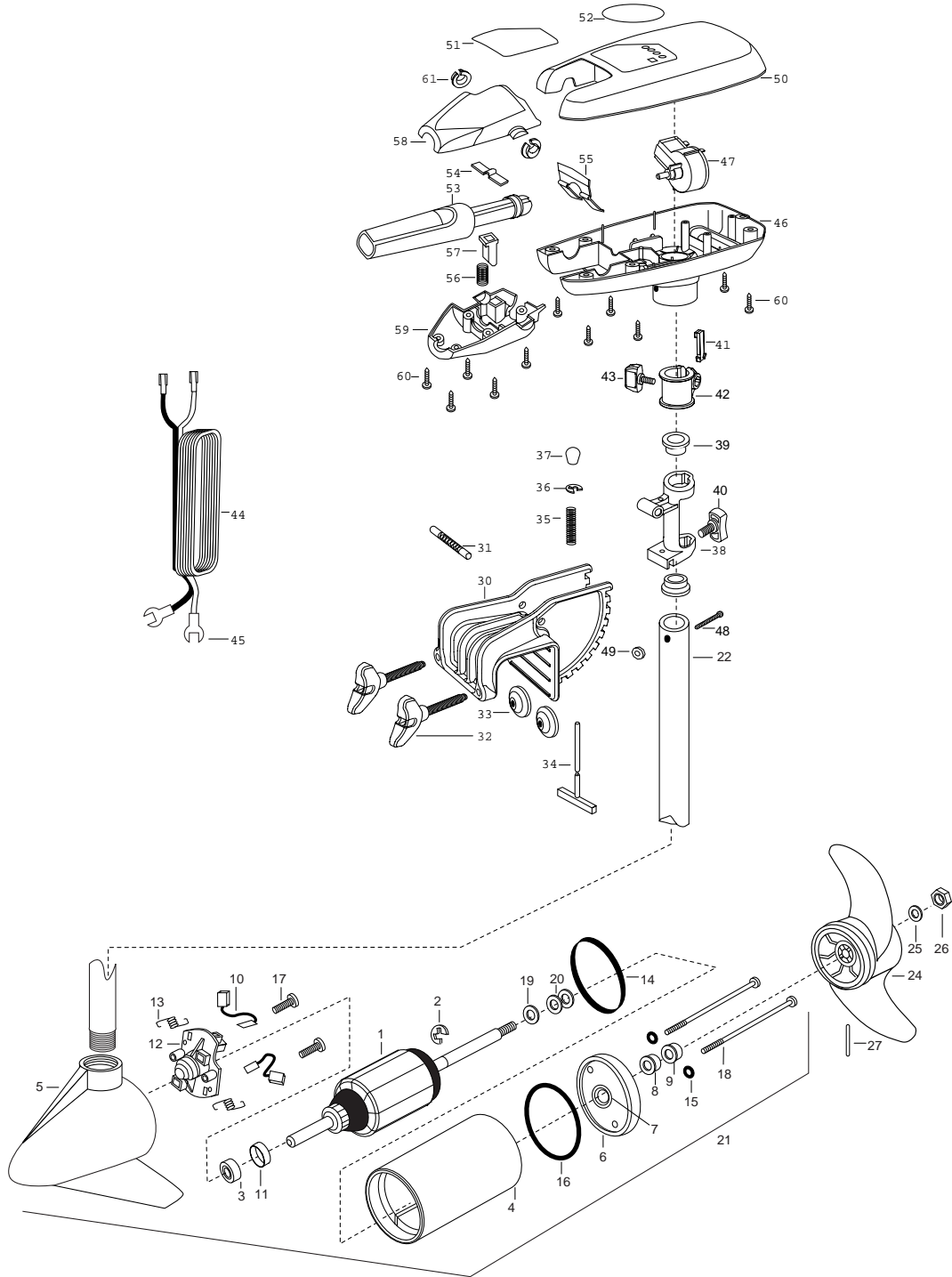


65T CABELA
24 VOLT
42" SHAFT



In the U.S.A., replacement parts may be ordered directly from MINN KOTA Parts Dept., 706 Holly Lane, Mankato, Minnesota 56001. In Canada, parts may be ordered from any of the Canadian Authorized Service Centers shown on the enclosed list. Be sure to provide the model and serial numbers of your motor when ordering parts. Please use the correct part numbers from the parts list. Payment for any parts ordered from the MINN KOTA parts department, may be by cash, personal check, Discover Card, MasterCard or VISA. To order, call 1-800-227-6433 or FAX 1-800-527-4464.

Fuera de los Estados Unidos, consultar la lista anexa para ubicar el Centro de servicio autorizado MINN KOTA. No dejar de incluir el número del MODELO y el número de SERIE del motor para el cual se solicitan las piezas. Usar siempre los números de pieza correctos indicados en la lista de piezas.

Hors de États-Unis, voir la liste ci-jointe pour le Centre de Service Agréé MINN KOTA le plus proche. Lors d'une commande, ne pas oublier de fournir le numéro de modèle et le numéro de série du moteur. Toujours mentionner le numéro de pièce exact figurant sur la liste des pièces de rechange.

Fora da América do Norte, queira consultar a lista anexa para identificar o Centro de Serviço Autorizado MINN KOTA. Não deixe de incluir o número do MODELO e o número de SÉRIE do seu motor ao pedir peças. Sempre use os números corretos das peças da lista de peças.

| | | | | | |
|----|-----------|--|-----|---------|------------------------------------|
| 1 | 2-100-009 | ARMATURE ASSEMBLY 24V 3.62 65# | *30 | 2031931 | BRACKET DIE CAST- FW PAINT |
| 2 | 788-015 | RETAINING-RING | 31 | 2010511 | PIN-HINGE |
| 3 | 140-010 | BEARING -BALL | 32 | 2061300 | SCREW-CLAMP [2 EA.] |
| 4 | 431-005 | HOUSING- CENTER ASSEMBLY 3.62 65# | 33 | 2011710 | WASHER-CLAMP SCREW [2 EA.] |
| 5 | 2-300-039 | HOUSING- BRUSH END ASSEMBLY 3.62 TXT SPCO | 34 | 2033600 | T-BAR |
| 6 | 2-400-101 | PLAIN END HOUSING ASSEMBLY 3.625 | 35 | 2012700 | SPRING- (T-BAR) |
| 7 | 144-049 | BEARING- FLANGE | 36 | 2013000 | E-RING |
| 8 | 880-003 | SEAL | 37 | 2010100 | KNOB-TILT |
| 9 | 880-006 | SEAL-W/SHIELD | 38 | 2031852 | HINGE- MACHINED |
| 10 | 188-036 | BRUSH ASSEMBLY 3.625 [2.EA] | 39 | 2037300 | BUSHING-HINGE [2 EA.] |
| 11 | 725-050 | PAPER TUBE- BRUSH RETENTION | 40 | 2011385 | SCREW, TENSION/KNOB |
| 12 | 738-036 | BRUSH PLATE WITH HOLDER | 41 | 2062800 | TENSION BLOCK-SNAP IN |
| 13 | 975-040 | SPRING- TORSION [2.EA] | 42 | 2061520 | COLLAR-DEPTH ENDURA |
| 14 | 337-037 | GASKET | 43 | 2011365 | SCREW-COLLAR/NEW KNOB |
| 15 | 701-008 | O-RING—THRU BOLT [2.EA] | 44 | 2050609 | LEADWIRE (10 GA) W/SPADE TERM |
| 16 | 701-081 | O-RING | 45 | 2020702 | SPADE TERMINAL 10 GA [2 EA.] |
| 17 | 830-007 | SCREW- 8-32 [2.EA] | 46 | 2062551 | CONTROL BOX |
| 18 | 830-008 | THRU BOLT 10-32X9.205 [2.EA] | 47 | 2064023 | SWITCH FWD/REV 5 SP |
| 19 | 990-067 | WASHER- STEEL | 48 | 2033400 | SCREW 10-24X1-3/4 |
| 20 | 990-070 | WASHER- NYLATRON [2.EA] | 49 | 2013110 | NUT- HEX 10-24 |
| 21 | 2098034 | MOTOR-ASSEMBLY 24V FW 47.75 LDS | 50 | 2060205 | CONTROL BOX COVER- GREY |
| 22 | 2032053 | TUBE (COMPOSITE) 42" | 51 | 2065636 | DECAL-COVER 65T 24V CABELA |
| ■ | 1378122 | PROPELLER KIT | 52 | 2005601 | DECAL- CABELA TOURN SERIES |
| 24 | 2091150 | PROP (WEEDLESS WEDGE) | 53 | 2990912 | HANDLE ASSEMBLY W/ U-JOINT 5SP |
| 25 | 2151726 | WASHER-PROP 5/16 STD SS | 54 | 2302742 | SPRING-DETENT (OFF) SS |
| 26 | 2053101 | NUT-PROP MED 5/16 SS | 55 | 2302743 | SPRING-DETENT HANDLE-TILT |
| 27 | 2092600 | PIN-DRIVE SS | 56 | 2302745 | SPRING-RELEASE BUTTON SS |
| ■ | 2771960 | BRACKET & HINGE ASSEMBLY FW (INCLUDES- 30—41) | 57 | 2303720 | RELEASE BUTTON-HANDLE |
| ■ | 2771901 | BRACKET ASSEMBLY (INCLUDES- 30,32,33) | 58 | 2060408 | HANDLE (TOP HALF) |
| | | | 59 | 2060415 | HANDLE (LOWER HALF) |
| | | | 60 | 2303412 | SCREW-6-20 X 5/8 SELF TAP [11 EA.] |
| | | | 61 | 2060005 | BEARING-HANDLE PIVOT [2 EA.] |

* This item is part of an assembly. This item cannot be sold separately due to machining and /or assembly that is required. P/N 2064922 REV.A 9-01

24 VOLT
SYSTEM
65 only

