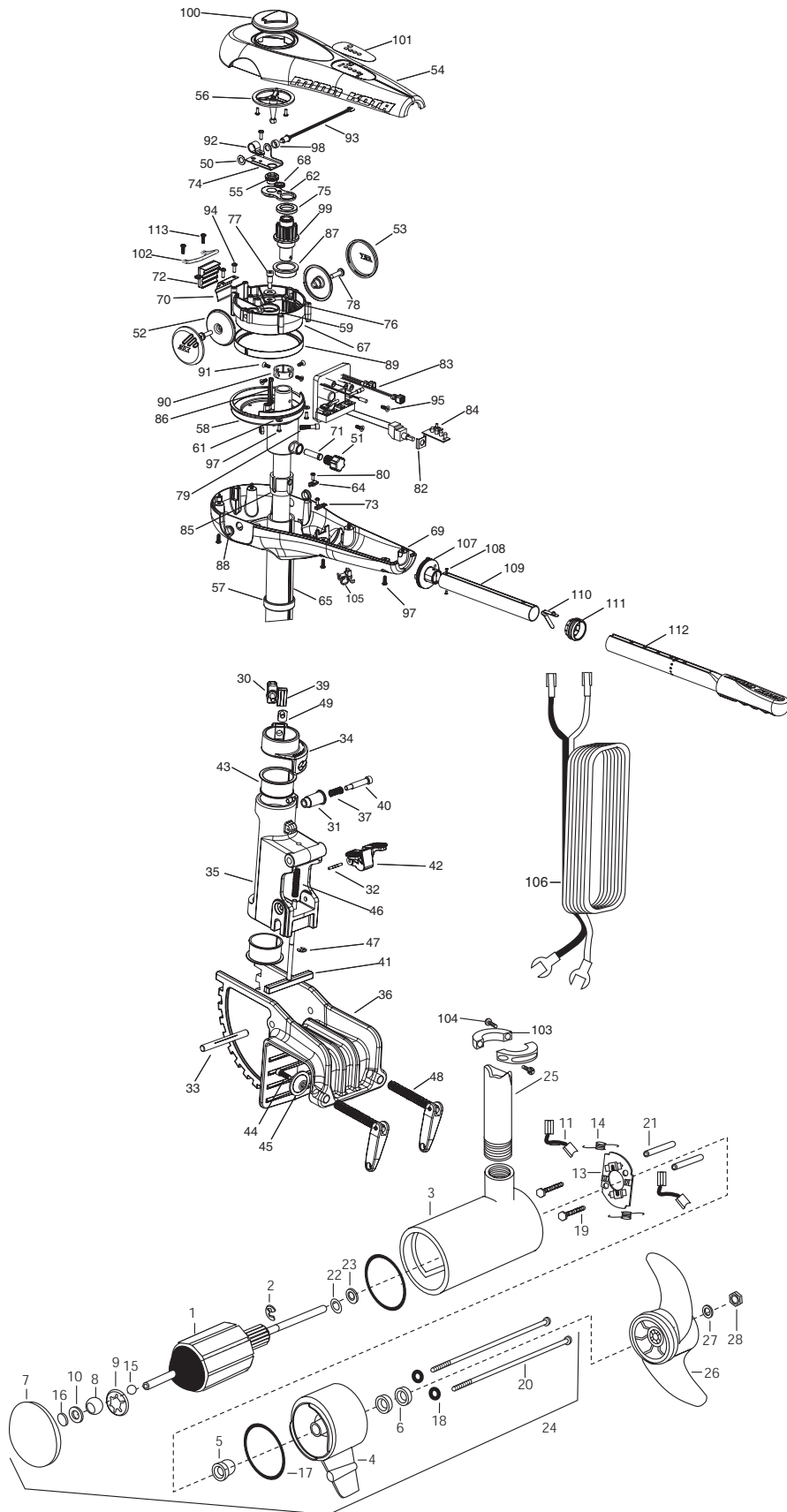


**VECTOR 101- 3X STEERING
SUPER DUTY BRACKET**
101 LBS THRUST
36 VOLT 37 AMPS
42" SHAFT

for use with motors with serial numbers beginning MKAE
3-year warranty from the date of purchase



1	2-100-110	ARMATURE ASSEMBLY 36V 4 VARS FW 101#	40	2073402	SCREW 5/16 X 1 1/4" SHOULDER	82	2074000	POT CLIP
2	788-040	RETAINING RING	41	2073603	T-BAR	83	2074061	CONTROL BOARD ASSEMBLY
3	2-200-110	CENTER HOUSING ASSEMBLY 4.0 FW TXT	42	2077202	TILT LEVER	84	2074072	BATTERY METER
4	2-300-160	BRUSH END HOUSING ASSEMBLY 4.0 FW	43	2077310	BUSHING HINGE [2 EA.]	85	2075100	TENSION SLEEVE
5	144-017	BEARING -FLANGE (SERVICE ONLY)	44	2263452	SCREW 1/4-20 SHCS [2 EA.]	86	2076700	KEY - TUBE
6	880-025	**SEAL [2.EA]	45	2331700	WASHER CLAMP	87	2077305	BEARING UPPER
7	2-400-160	PLAIN END HOUSING ASSEMBLY 4.0	46	2332700	SPRING	88	2077316	BUSHING PIVOT [2 EA.]
8	144-021	BEARING -SPHERICAL	47	2013000	E-RING	89	2077320	BEARING - GEAR CARRIER
9	784-025	BEARING RETAINER	48	2991301	CLAMP/HANDLE ASSEMBLY [2 EA.]	90	2071560	COLLAR TUBE
10	991-040	FELT WASHER	49	2263101	NUT-T	91	2223468	SCREW 8-32 [4 EA.]
11	188-094	BRUSH 4"W/TERMINAL [2.EA]	50	2013100	SPEED NUT	92	2263201	CLAMP WIRE HARNESS
12B	640-018	BRUSH WIRE- BLACK 10 AWG 62 1/2" XLP	51	2070105	KNOB-TENSION	93	2264015	LIGHT INDICATOR
12R	640-123	BRUSH WIRE- RED 10 AWG 64 XLP	52	2070110	PIVOT KNOB [2 EA.]	94	2372100	SCREW 8-18 SS [2 EA.]
13	738-004	BRUSH PLATE - 4" TERMINAL	53	2070117	COVER-PIVOT KNOB [2 EA.]	95	2332101	SCREW 8-32 SS [2 EA.]
14	975-041	SPRING -TORSION [2.EA]	54	2070201	COVER 3:1	X	X	
15	116-025	BALL-STEEL	55	2070801	COUPLER SOCKET	97	2303412	SCREW 6-20 X 5/8" [8 EA.]
16	303-043	THRUST DISC- METAL	56	2070810	COUPLER DRIVE	98	2071525	SPACER-INDICATOR LIGHT
17	701-043	**O-RING [2.EA]	57	2071500	COLLAR LOWER SUPPORT	99	2992205	PINION - MAIN
18	701-009	**O-RING - THRU BOLT(2 REQ'D)	58	2071512	YOKE-GEAR CARRIER	100	2998600	INDICATOR ASSEMBLY
19	830-027	SCREW -SELF TREADED 10-32 X 2" [2.EA]	59	2071712	WASHER NYLATRON [2 EA.]	101	2075613	DECAL COVER VECTOR 101
20	830-096	THRU BOLT 12-24 X 11.56" SS [2.EA]	60	2071712	WASHER SS	102	2072815	BRACKET- TILT STOP
21	973-025	SPACER -BRUSH PLATE [2.EA]	61	2071714	WASHER FLAT #6 [2 EA.]	103	2261622	COLLAR HALF [2 EA.]
22	990-051	WASHER-THRUST, STEEL	62	2071900	IDLER PLATE	104	2263453	SCREW 1/4-20 X 1" [2 EA.]
23	990-052	WASHER- NYLATRON	64	2071905	BRACKET- SENSOR SWITCH	105	2052900	STRAIN RELIEF
24	2317055	MOTOR ASSEMBLY 36V VARS TXT	65	2072041	OUTER TUBE 3:1 42"	106	2090600	LEADWIRE
25	2072001	TUBE (COMP) W/3:1, 42"	67	2072210	GEAR CARRIER	107	2990404	PIVOT HANDLE ASSEMBLY
■	1378130	PROPELLER KIT (includes 26-28)	68	2072215	GEAR- IDLER	108	2072102	SCREW #6 X 1/4" [2 EA.]
26	2331130	PROPELLER W/WEDGE	69	2072501	CONTROL BOX	109	2070425	HANDLE TUBE
27	2091701	WASHER-5/16 SS	70	2072705	SPRING DETENT	110	2070411	LATCH-BUTTON
28	2093101	NUT-PROP NYLOC	71	2072710	SPRING TENSION SLEEVE	111	2070010	BEARING
30	2011385	SCREW-TENSION	72	2072810	DETENT BLOCK-TILT	112	2990931	HANDLE ASSEMBLY-EXT.
31	2070100	KNOB ORIENTATION COLLAR	73	2072811	DETENT BLOCK-SWITCH	113	2332101	SCREW #8-32 X 1/2" SS [2 EA.]
32	2070513	PIN HINGE ZINC	74	2072900	RETAINER COUPLER			
33	2070515	PIN PIVOT ZINC	75	2073000	RING PRELOAD			
34	2071505	ORIENTATION COLLAR	76	2073100	HEX NUT - NYLOC [3 EA.]			
■	2991825	BRACKET/HINGE ASSEMBLY	77	2073400	SCREW 5/16" X 1/2" SHOULDER			
35	2071872	HINGE 3:1 BRACKET	78	2073408	SCREW [2 EA.]			
36	2071941	BRACKET FW BLACK	79	2073410	SCREW			
37	2072700	SPRING	80	2073414	SCREW 6-32 PPH [2 EA.]			
39	2072801	TENSION BLOCK						

**Seal & Oring Kit P/N 2889460 * This item is part of an assembly. This item cannot be sold separately due to machining and /or assembly that is required.

P/N 2074934

REV.A 7-03

