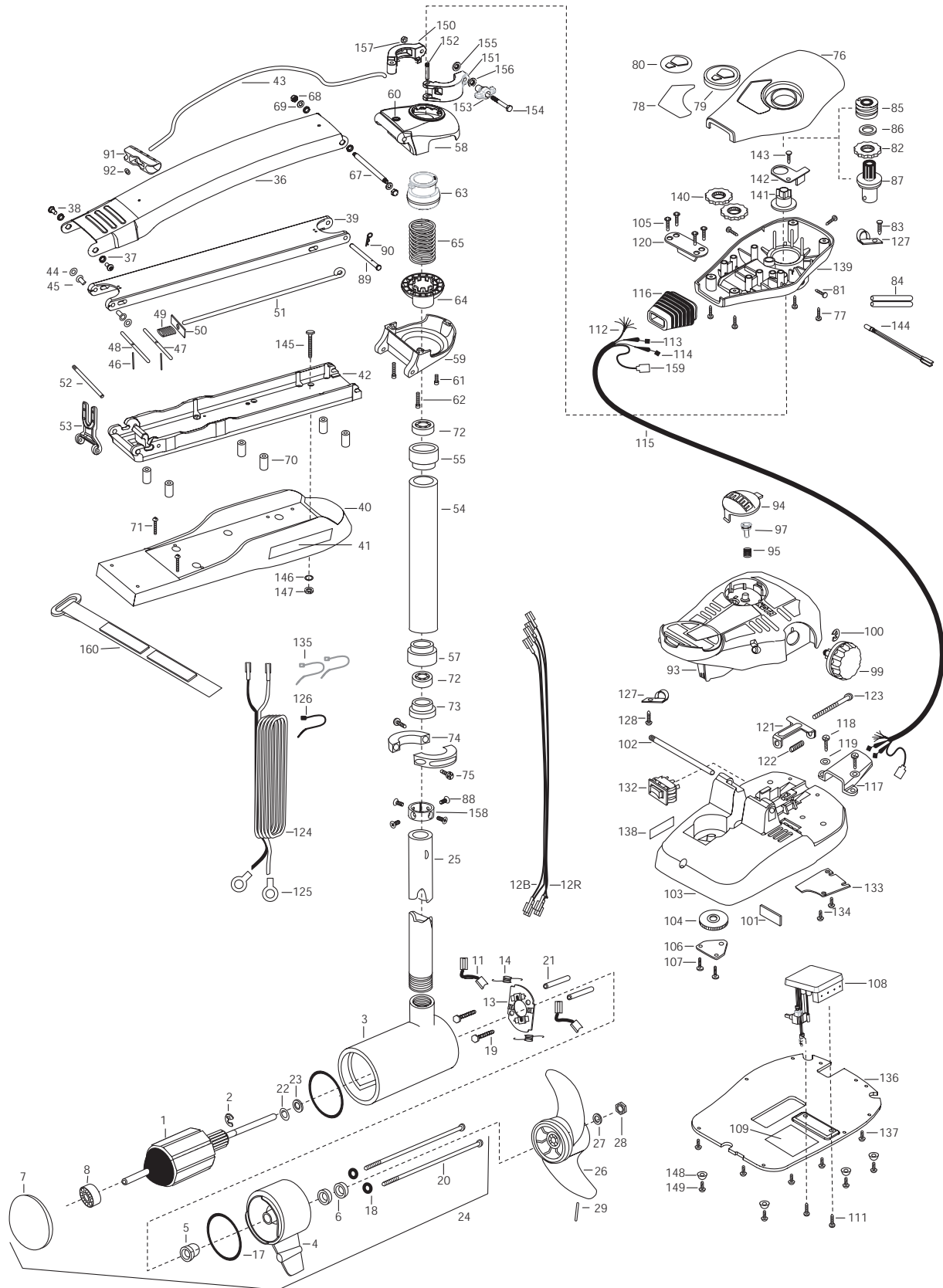


MAXXUM 80 and Sonar
80 lbs Thrust
24 volt 56 amps
48", 52" & 62" SHAFT

for use with 2005 models with serial numbers less than "WWAF0059607"
3-year warranty from the date of purchase



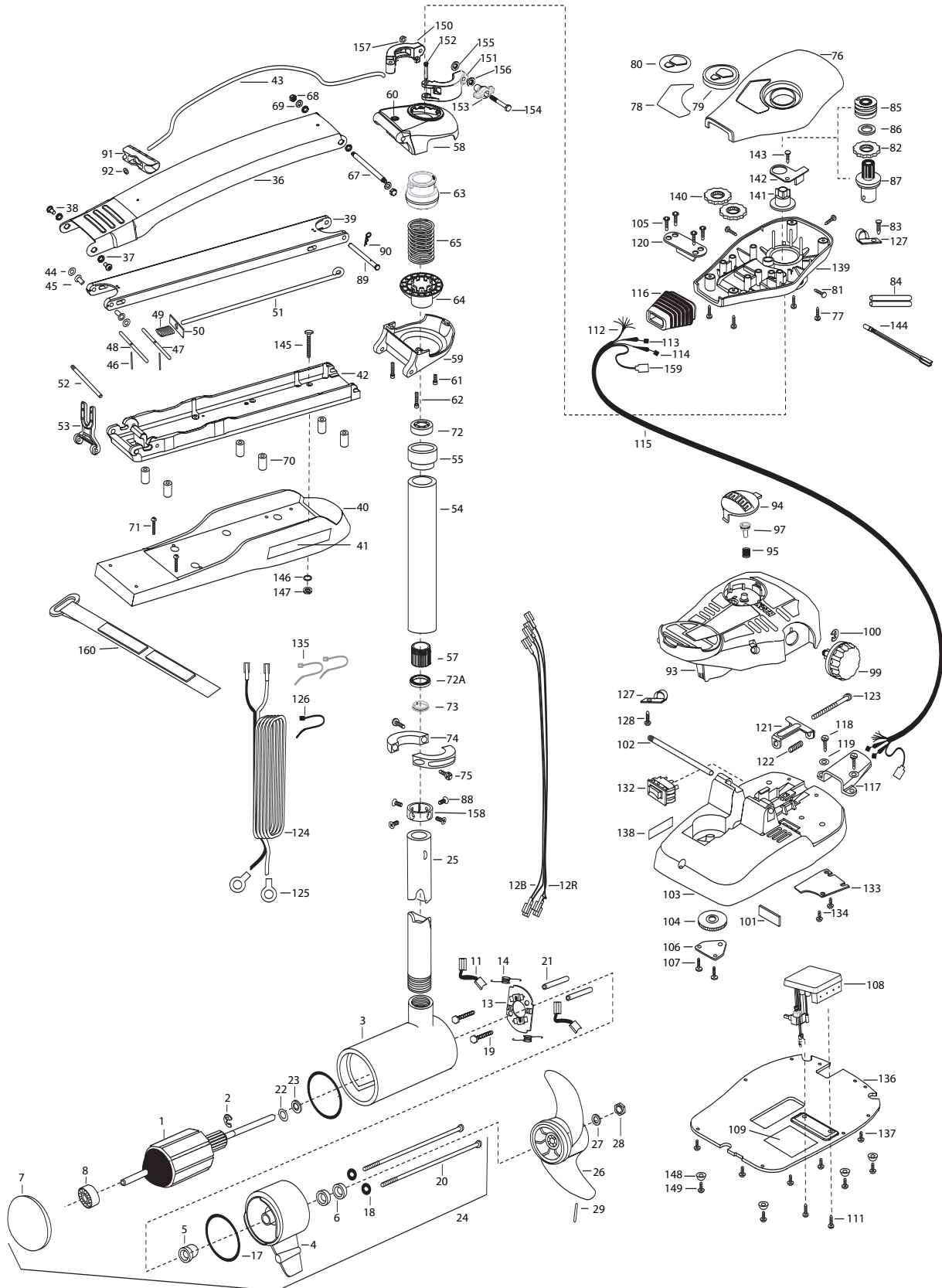
1	2-100-213	ARMATURE ASSEMBLY 24V 4"	54	2272068	TUBE OUTER 34" 62	112	2261220	WIRE HARNESS AT & MAX 82.5
2	788-040	RETAINING RING		2272067	TUBE OUTER 24" 48"-52"	113	2267500	CABLE ASSEMBLY-RIGHT 5'
3	431-160	CENTER HOUSING ASSEMBLY 4.0 TXT	55	2266260	BEARING RACE-(565T)	114	2267510	CABLE ASSEMBLY-LEFT 5'
	92-200-170	CENTER HOUSING ASSEMBLY 4.0- SONAR	57	2266220	BEARING RACE-STEEL	115	2265430	CABLE JACKET 5'
4	2-300-160	BRUSH END HOUSING ASSEMBLY	■	2991763	BOWGUARD ASSEMBLY-FT CTRL,MAX 62	116	2265110	BOOT-CONTROL BOX
5	144-017	BEARING- FLANGE (SERVICE ONLY)		2991762	BOWGUARD ASSEMBLY-FT CTRL,MAX 52	117	2265115	BOOT-FOOT PEDAL BASE
6	880-025	SEAL [2.EA]	58	2772315	BRACKET BASE TOP/EYELET ASSEMBLY	118	2372100	SCREW-8-18 X 5/8 THD SS [2.EA]
7	421-260	PLAIN END HOUSING ASSEMBLY	59	2771993	BRKT BOTTOM/BEARING FW ASSEMBLY 62	119	2261714	WASHER-MAXXUM PT PDL [2.EA]
	9421-271 (52") or 9421-270 (62")	PLAIN END HSG ASSY 4.0 SONAR		2991999	BRKT BOTTOM/BEARING FW ASSEMBLY 52	120	2261901	BRACKET-CONDUIT AT/MAX
8	140-010	BALL BEARING"	60	2772352	EYELET KIT -ROPE	121	2263210	BRACKET-CONDUIT ADJUSTMENT
11	186-094	BRUSH [2.EA]	61	2263402	SCREW 1/4-20 X 3/4 ZINC	122	2262720	SPRING-CONDUIT AD
12B	640-017	LEADWIRE-BLACK 10 AWG 61 XLP	62	2263404	SCREW-1/4-20X2-1/4 SHCP [2.EA]	123	2263466	SCREW-1/4-20 X 2 STL PPH
12R	640-121	LEADWIRE-RED 10 AWG 62 1/2	63	2071541	SPRING-SLEEVE UPPER	124	2261233	LEADWIRE VARIABLE
13	738-040	BRUSH PLATE 4"	64	2071535	SPRING SLEEVE, LOWER	125	2020700	TERMINAL RING, 3/8 [2.EA]
14	975-041	SPRING- TORSION [2.EA]	65	2262712	SPRING, BOWGUARD, FC PAINTED	126	2256300	TIE WRAP-5.5 BLACK
17	701-009	O-RING —THRU BOLT [2.EA]	67	2262605	PIN- THREADED	127	2263201	CLAMP WIRE HARNESS MICRO [2.EA]
18	701-043	O-RING [2.EA]	68	2223100	NUT - NYLOC SS [2.EA]	128	2332103	SCREW-6-20 X 3/8 THD SS
19	830-027	SCREW -SELF THREAD 10-32X2 [2.EA]	69	2261722	WASHER [2.EA]	132	2254031	SWITCH-MOM/OFF/CON
20	830-094	THRU BOLT 12-24X10.31 [2.EA]	■	2994832	BAG ASSEMBLY	133	2266412	SWITCH PLATE, PT PEDAL
21	973-025	SPACER- BRUSH PLATE [2.EA]	*70	2261505	SPACER, MOTOR REST [6.EA]	134	2332103	SCREW-6-20 X 3/8 THD SS [2.EA]
22	990-051	WASHER- STEEL	*71	2263434	SCREW, 8-18 X 1 PPH SS [2.EA]	135	2256301	TIE WRAP-5.5 WHITE [2.EA]
23	990-052	WASHER- NYLATRON	72	2266000	BEARING BALL-STEEL	136	2264511	BOTTOM PLATE, MAXXUM PT
24	2316233	MOTOR ASSEMBLY 24V 4" VARS TXT 52"	73	2266115	BEARING CONE	137	2372100	SCREW-8 X 1/2 SS [5.EA]
	2316236	MOTOR ASSEMBLY 24V 4" VARS TXT 62"	74	2261622	COLLAR HALF-PAINTED-2 PER- KIT	138	2266610	DECAL-ON/OFF SWITCH
	2326233	MOTOR ASSEMBLY 24V 4" VARS 52"/62" SONAR	75	2263453	SCREW-1/4-20 X 3/4 SHCS SS [2.EA]	139	2262535	CONTROL BOX-PLASTIC
25	2032007	TUBE COMP W/4 HOLE 62"	76	2260283	CONTROL BOX COVER-MAXXUM	140	2267800	GEAR-INDICATOR [2.EA]
	2032006	TUBE COMP W/4 HOLE 52"	77	2372100	SCREW-8-18 X 5/8 THD [4.EA]	141	2262220	INDICATOR-DRIVE
	2032005	TUBE COMP W/4 HOLE 48"	78	2265644	DECAL COVER, MAXXUM 80	142	2261905	BRACKET/INDICATOR
■	1378132	PROPELLER KIT		2265647	DECAL COVER, MAXXUM 80/SONAR	143	2301310	SCREW-8-18 X 1/2 SS
26	2331160	PROPELLER W.WEDGE 2	79	2260150	POINTER DISC TRNSLCNT RED	144	2264015	LIGHT/INDICATOR
27	2091701	WASHER-PROP LARGE	80	2265800	DECAL-INDICATOR	■	2994830	BAG ASSEMBLY-MAXXUM
28	2093101	NUT-PROP NYLOCK SS	81	2053414	SCREW-#8-32 X 1/2 TRI-LOBE [3.EA]	*145	2263431	SCREW 1/4-20 X 3.5 PPH [6.EA]
29	2262658	PIN-DRIVE SS	82	2267800	GEAR-INDICATOR	*146	2261713	WASHER-1/4 FLAT S/S [6.EA]
31	2030710	CONNECTOR BUTT [2.EA]	83	2301310	SCREW-8-18 X 1/2 SS	*147	2263103	NUT-1/4-20 NYLOCK-JAM [6.EA]
32	2030317	62" WIRE EXTENSION-18 RED	84	2355410	SHRINK TUBE-3/8 OD X 2- [2.EA]	148	2265126	BUMPER [4.EA]
33	2030316	ONLY WIRE EXTENSION-18 BLACK	85	2232360	PULLEY-CABLE DRUM	149	2263455	SCREW #12 [4.EA]
34	2375400	SHRINK TUBE 1/4ODX1-3/4 [2.EA]	86	2261730	WASHER-NYLON	■	2991550	CLAMP COLLAR ASSEMBLY
■	2991842	MOUNT,BOW ASSEMBLY, FW 62 W/O BG	87	2996247	PINION/RACE ASSEMBLY	150	2071550	CLAMP COLLAR "A"
	2991841	MOUNT,BOW ASSEMBLY, FW 52 W/O BG	88	2223468	SCREW-8-32 X 7/16 ZN PL [4.EA]	151	2071555	CLAMP COLLAR "B"
36	2264246	ARM UPPER-FW LONG	89	2262607	PIN- CLEVIS ZN	152	2072621	PIN-KNURLED
37	2293501	BUSHING, STAINLESS STEEL [4.EA]	90	2260805	SPRING CLIP ZN	153	2070120	KNOB-CLAMP COLLAR
38	2263500	BOLT, SHOULDER MAXXUM [2.EA]	91	2150400	PULL-GRIP	154	2073412	SCREW 1/4-28 X 2 3/4" SS
39	2774317	ARM-LOWER ASSEMBLY,LG,FW,EXT	92	2151700	WASHER-EYE SHAFT .562 OD	155	2071718	WASHER #10 NYLON RETAINING
40	2263913	MOTOR REST LONG MAXXUM	93	2790002	FOOT PEDAL/PLUG ASSEMBLY	156	2071716	WASHER - FLAT SS
41	2265514	DECAL-MAXXUM,MOTOR REST [2.EA]	94	2993702	PUSH BUTTON / MAGNET ASSEMBLY	157	2073102	NUT - HEX 1/4 - 28 SS
42	2773986	BOWPLATE- FW LG MACH/INSERT	95	2302732	SPRING-LOWER PEDAL SS	158	2071560	SPLIT COLLAR
43	2251601	ROPE 40" MAXXUM MOUNT	97	2260810	CLIP, REED SWITCH	159	2211400	EXTENSION CABLE- SONAR
44	2261708	WASHER-3/8X1/2X.010 SS [2.EA]	99	2260160	KNOB-SPEED CONTROL VAR	160	2263804	STRAP - VELCRO 30.5"
45	2236000	BEARING NYLINER- [2.EA]	100	2263000	E-RING TRU-ARC#5133-43			
46	2152610	SPRING-PIN LOCKBAR [2.EA]	101	2266413	PLATE -TENSION SCREW FTPED.			
47	2233600	LOCK BAR- BOW MOUNT	102	2260511	PIN-PIVOT A/T PT PDL			
48	2233602	LOCK BAR- REAR ZINC	103	2774550	FT PEDAL BASE/PIN ASSEMBLY			
49	2152700	SPRING-LOCKBAR CAD.PLT	104	2262301	PULLEY- FOOT PEDAL			
50	2262703	SPRING STOP	105	2223430	SCREW #8X3/4 PPH TYPE 25 SS [4.EA]			
51	2153604	EYE SHAFT-2LOCKBAR LG-PLTD	106	2266400	COVER-PULLEY STAMPING			
52	2260506	HINGE-PIN HEADLESS ZINC	107	2301310	SCREW-8-18 X 1/2 SS [2.EA]			
53	2293811	YOKE,MAX MNT-POLYPROPYLENE	108	2264052	CONTROL BOARD ASSEMBLY 24V MAX			
■	2772014	TUBE W/BEARING RACE ASSEMBLY 34"	109	2365107	INSULATING PAD 2.3 X 3.2			
	2772016	TUBE W/BEARING RACE ASSEMBLY 24"	111	2263448	SCREW, 8-32 X 1 [2.EA]			

Seal & Oring Kit P/N 2889460 * This item is part of an assembly. This item cannot be sold separately due to machining and /or assembly that is required.

P/N 2274964 REV.A 7-04

MAXXUM 80 and Sonar
80 lbs Thrust
24 volt 56 amps
48", 52" & 62" SHAFT

for use with 2005 models with **serial numbers greater than "VWAF0059606"**
3-year warranty from the date of purchase



1	2-100-213	ARMATURE ASSEMBLY 24V 4"	2272086	TUBE OUTER 24" 48"-52"	112	2261220	WIRE HARNESS AT & MAX 82.5
2	788-040	RETAINING RING	55 2266260	BEARING RACE-(565T)	113	2267500	CABLE ASSEMBLY-RIGHT 5'
3	431-160	CENTER HOUSING ASSEMBLY 4.0 TXT	57 2267307	BUSHING, OUTER TUBE	114	2267510	CABLE ASSEMBLY-LEFT 5'
	92-200-170	CENTER HOUSING ASSEMBLY 4.0- SONAR	■ 2991763	BOWGUARD ASSEMBLY-FT CTRL,MAX 62	115	2265430	CABLE JACKET 5'
4	2-300-160	BRUSH END HOUSING ASSEMBLY	2991762	BOWGUARD ASSEMBLY-FT CTRL,MAX 52	116	2265110	BOOT-CONTROL BOX
5	144-017	BEARING- FLANGE (SERVICE ONLY)	58 2772319	BRACKET BASE TOP/EYELET ASSEMBLY	117	2265115	BOOT-FOOT PEDAL BASE
6	880-025	SEAL [2.EA]	59 2771770	BRKT BOTTOM/BEARING FW ASSEMBLY 62	118	2372100	SCREW-8-18 X 5/8 THD SS [2.EA]
7	421-260	PLAIN END HOUSING ASSEMBLY	2991771	BRKT BOTTOM/BEARING FW ASSEMBLY 52	119	2261714	WASHER-MAXXUM PT PDL [2.EA]
	9421-271 (52") or 9421-270 (62")	PLAIN END HSG ASSY 4.0 SONAR	60 2772352	EYELET KIT -ROPE	120	2261901	BRACKET-CONDUIT AT/MAX
8	140-010	BALL BEARING	61 2263423	SCREW 5/16-18 X 1" SHCS ZINC	121	2263210	BRACKET-CONDUIT ADJUSTMENT
11	186-094	BRUSH [2.EA]	62 2263425	SCREW 5/16-20 X 2-1/2" SHCS [2.EA]	122	2262720	SPRING-CONDUIT AD
12B	640-024	LEADWIRE-BLACK 10 AWG 79"	63 2071541	SPRING-SLEEVE UPPER	123	2263466	SCREW-1/4-20 X 2 STL PPH
12R	640-131	LEADWIRE-RED 10 AWG 80 1/2"	64 2071535	SPRING SLEEVE, LOWER	124	2261233	LEADWIRE VARIABLE
13	738-040	BRUSH PLATE 4"	65 2262712	SPRING, BOWGUARD, FC PAINTED	125	2020700	TERMINAL RING, 3/8 [2.EA]
14	975-041	SPRING- TORSION [2.EA]	67 2262605	PIN- THREADED	126	2256300	TIE WRAP-5.5 BLACK
17	701-009	O-RING —THRU BOLT [2.EA]	68 2223100	NUT - NYLOC SS [2.EA]	127	2263201	CLAMP WIRE HARNESS MICRO [2.EA]
18	701-043	O-RING [2.EA]	69 2261722	WASHER [2.EA]	128	2332103	SCREW-6-20 X 3/8 THD SS
19	830-027	SCREW -SELF THREAD 10-32X2 [2.EA]	■ 2994832	BAG ASSEMBLY	132	2254031	SWITCH-MOM/OFF/CON
20	830-094	THRU BOLT 12-24X10.31 [2.EA]	*70 2261505	SPACER, MOTOR REST [6.EA]	133	2266412	SWITCH PLATE, PT PEDAL
21	973-025	SPACER- BRUSH PLATE [2.EA]	*71 2263434	SCREW, 8-18 X 1 PPH SS [2.EA]	134	2332103	SCREW-6-20 X 3/8 THD SS [2.EA]
22	990-051	WASHER- STEEL	72 2266000	BEARING BALL-STEEL	135	2256301	TIE WRAP-5.5 WHITE [2.EA]
23	990-052	WASHER- NYLATRON	72A 2266116	BEARING, CARTRIDGE	136	2264511	BOTTOM PLATE, MAXXUM PT
24			73 2266001	BEARING,SPLIT RING	137	2372100	SCREW-8 X 1/2 SS [5.EA]
	2316237	MOTOR ASSEMBLY 24V 4" VARS TXT 52"	74 2261622	COLLAR HALF-PAINTED-2 PER- KIT	138	2266610	DECAL-ON/OFF SWITCH
	2316249	MOTOR ASSEMBLY 24V 4" VARS TXT 62"	75 2263453	SCREW-1/4-20 X 3/4 SHCS SS [2.EA]	139	2262535	CONTROL BOX-PLASTIC
			76 2260283	CONTROL BOX COVER-MAXXUM	140	2267800	GEAR-INDICATOR [2.EA]
	2326233	MOTOR ASSEMBLY 24V 4" VARS 52" SONAR	77 2372100	SCREW-8-18 X 5/8 THD [4.EA]	141	2262220	INDICATOR-DRIVE
	2326238	MOTOR ASSEMBLY 24V 4" VARS 62" SONAR	78 2265644	DECAL COVER, MAXXUM 80	142	2261905	BRACKET/INDICATOR
25	2032007	TUBE COMP W/4 HOLE 62"	2265647	DECAL COVER, MAXXUM 80/SONAR	143	2301310	SCREW-8-18 X 1/2 SS
	2032006	TUBE COMP W/4 HOLE 52"	79 2260150	POINTER DISC TRNSLCNT RED	144	2264015	LIGHT/INDICATOR
	2032005	TUBE COMP W/4 HOLE 48"	80 2265800	DECAL-INDICATOR	■	2994830	BAG ASSEMBLY-MAXXUM
■	1378132	PROPELLER KIT	81 2053414	SCREW-#8-32 X 1/2 TRI-LOBE [3.EA]	*145	2263431	SCREW 1/4-20 X 3.5 PPH [6.EA]
26	2331160	PROPELLER W.WEDGE 2	82 2267800	GEAR-INDICATOR	*146	2261713	WASHER-1/4 FLAT S/S [6.EA]
27	2091701	WASHER-PROP LARGE	83 2301310	SCREW-8-18 X 1/2 SS	*147	2263103	NUT-1/4-20 NYLOCK-JAM [6.EA]
28	2093101	NUT-PROP NYLOCK SS	84 2355410	SHRINK TUBE-3/8 OD X 2- [2.EA]	148	2265126	BUMPER [4.EA]
29	2262658	PIN-DRIVE SS	85 2232360	PULLEY-CABLE DRUM	149	2263455	SCREW #12 [4.EA]
■	2991842	MOUNT,BOW ASSEMBLY, FW 62 W/O BG	86 2261730	WASHER-NYLON	■	2991550	CLAMP COLLAR ASSEMBLY
	2991841	MOUNT,BOW ASSEMBLY, FW 52 W/O BG	87 2996247	PINION/RACE ASSEMBLY	150	2071550	CLAMP COLLAR "A"
36	2264246	ARM UPPER-FW LONG	88 2223468	SCREW-8-32 X 7/16 ZN PL [4.EA]	151	2071555	CLAMP COLLAR "B"
37	2293501	BUSHING, STAINLESS STEEL [4.EA]	89 2262607	PIN- CLEVIS ZN	152	2072621	PIN-KNURLED
38	2263500	BOLT, SHOULDER MAXXUM [2.EA]	90 2260805	SPRING CLIP ZN	153	2070120	KNOB-CLAMP COLLAR
39	2774317	ARM-LOWER ASSEMBLY,LG,FW,EXT	91 2150400	PULL-GRIP	154	2073412	SCREW 1/4-28 X 2 3/4" SS
40	2263913	MOTOR REST LONG MAXXUM	92 2151700	WASHER-EYE SHAFT .562 OD	155	2071718	WASHER #10 NYLON RETAINING
41	2265514	DECAL-MAXXUM,MOTOR REST [2.EA]	93 2790002	FOOT PEDAL/PLUG ASSEMBLY	156	2071716	WASHER - FLAT SS
42	2773986	BOWPLATE- FW LG MACH/INSERT	94 2993702	PUSH BUTTON / MAGNET ASSEMBLY	157	2073102	NUT - HEX 1/4 - 28 SS
43	2251601	ROPE 40" MAXXUM MOUNT	95 2302732	SPRING-LOWER PEDAL SS	158	2071560	SPLIT COLLAR
44	2261708	WASHER-3/8X1/2X.010 SS [2.EA]	97 2260810	CLIP, REED SWITCH	159	2211400	EXTENSION CABLE- SONAR
45	2236000	BEARING NYLINER- [2.EA]	99 2260160	KNOB-SPEED CONTROL VAR	160	2263804	STRAP - VELCRO 30.5"
46	2152610	SPRING-PIN LOCKBAR [2.EA]	100 2263000	E-RING TRU-ARC#5133-43			
47	2233600	LOCK BAR- BOW MOUNT	101 2266413	PLATE -TENSION SCREW FTPEd.			
48	2233602	LOCK BAR- REAR ZINC	102 2260511	PIN-PIVOT A/T PT PDL			
49	2152700	SPRING-LOCKBAR CAD.PLT	103 2774550	FT PEDAL BASE/PIN ASSEMBLY			
50	2262703	SPRING STOP	104 2262301	PULLEY- FOOT PEDAL			
51	2153604	EYE SHAFT-2LOCKBAR LG-PLTD	105 2223430	SCREW #8X3/4 PPH TYPE 25 SS [4.EA]			
52	2260506	HINGE-PIN HEADLESS ZINC	106 2266400	COVER-PULLEY STAMPING			
53	2293811	YOKE,MAX MNT-POLYPROPYLENE	107 2301310	SCREW-8-18 X 1/2 SS [2.EA]			
■	2772087	TUBE W/BEARING RACE ASSEMBLY 34"	108 2264052	CONTROL BOARD ASSEMBLY 24V MAX			
	2772086	TUBE W/BEARING RACE ASSEMBLY 24"	109 2365107	INSULATING PAD 2.3 X 3.2			
54	2272087	TUBE OUTER 34" 62	111 2263455	SCREW, 10-32 X 1/2 [2.EA]			

Seal & Oring Kit P/N 2889460 * This item is part of an assembly. This item cannot be sold separately due to machining and /or assembly that is required.

P/N 2274964 REV.B 11-04

