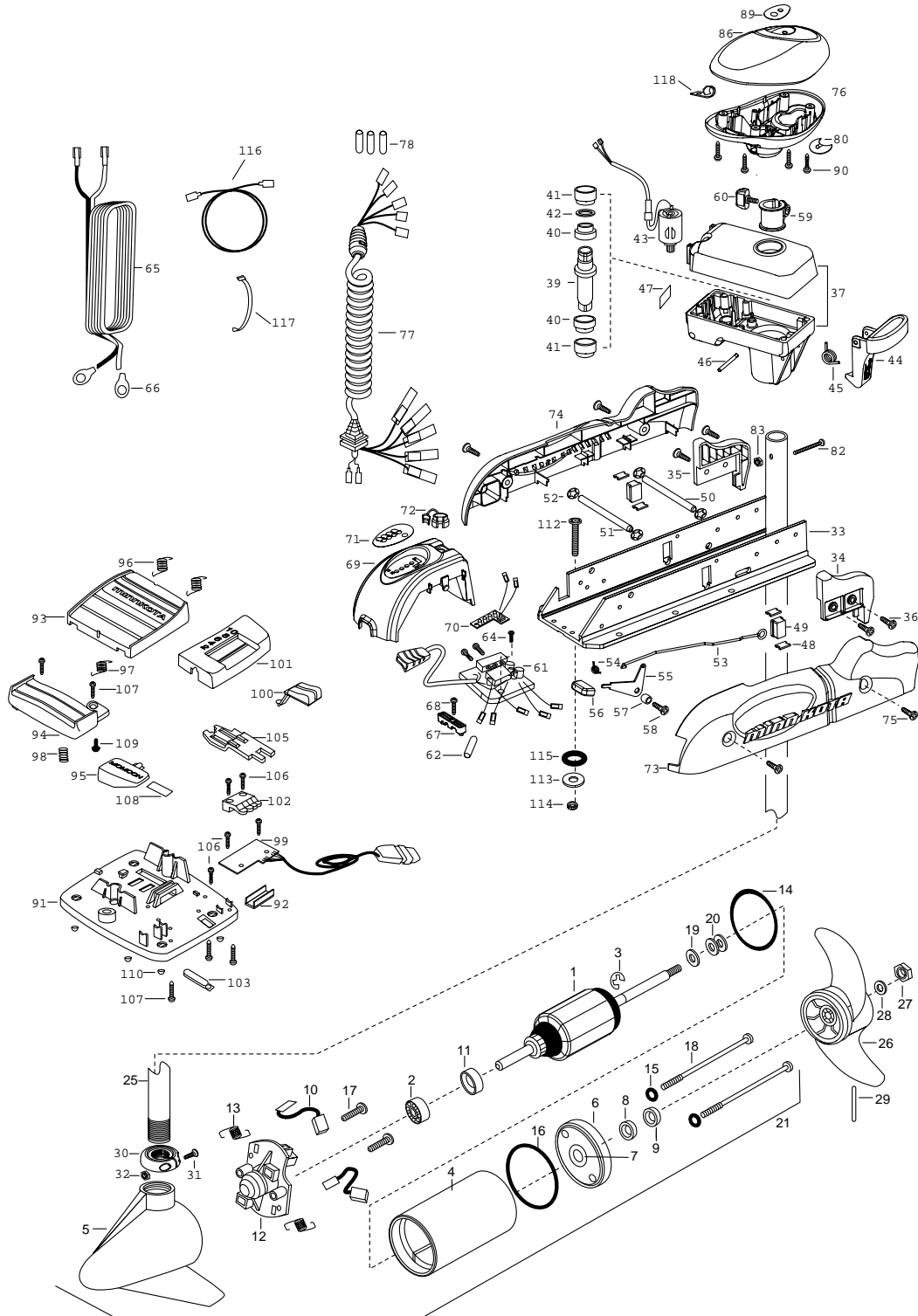


70PD (& SONAR)
70 LBS THRUST
24 VOLT 42 AMPS
54" OR 60" SHAFT

for use with "WWAF" serial numbers
plain PD models have a 2-year warranty from the date of purchase
PD/US models have a 3-year warranty from the date of purchase



| | | | | | | | | |
|----|-----------|----------------------------------|-----|---------|--------------------------------|------|---------|----------------------------------|
| 1 | 2-100-119 | ARMATURE ASSEMBLY | ■ | 2882011 | BUSHING/ OUTSHAFT KIT | 76 | 2302515 | CONTROL BOX PD/AP |
| 2 | 140-010 | BALL BEARING | | | (INCLUDES 39-42) | 77 | 2991251 | COIL CORD WSTRAIN RELIEF 54" |
| 3 | 788-015 | RETAINING RING | *39 | 2302010 | DRIVE HOUSING OUTPUT SHAFT | | 2991252 | COIL CORD WSTRAIN RELIEF 60" |
| 4 | 431-005 | CENTER HOUSING ASSEMBLY | *40 | 2307304 | BUSHING- INNER [2.EA] | 78 | 2065400 | WIRE INSULATOR-LGE 1-3/4 [3.EA] |
| 5 | 421-065 | HOUSING BRUSH END 3.62 TXT | *41 | 2307305 | BUSHING- OUTER [2.EA] | 80 | 2224700 | INSERT- PLUG |
| | 9421-166 | HOUSING BRUSH END 3.62 SONAR | *42 | 2304603 | O-RING | 82 | 2033400 | SCREW-10-24 X 1-3/4 |
| 6 | 2-400-101 | PLAIN END HOUSING ASSEMBLY | 43 | 2307045 | MOTOR- DRIVE HOUSING HIGH SPD | 83 | 2013110 | NUT-HEX 10-24 NYLOC |
| 7 | 144-049 | BEARING - FLANGE (SERVICE ONLY) | 44 | 2307205 | LATCH HANDLE PD/AP | 86 | 2300235 | CONTROL BOX COVER- POWERDRIVE |
| 8 | 880-003 | SEAL | 45 | 2302750 | SPRING- LATCH TORSION PD/AP | 89 | 2315670 | DECAL- COVER 70PD |
| 9 | 880-006 | SEAL WITH SHIELD | 46 | 2302607 | PIN- DRIV-LOK GROOVE ZINC TYPE | | 2315671 | DECAL - COVER 70PD / SONAR |
| 10 | 188-036 | BRUSH ASSEMBLY [2.EA] | 47 | 2305515 | DECAL-STOW/DEPLOY | 90 | 2012100 | SCREW-8-18 X 5/8 [4.EA] |
| 11 | 725-050 | BRUSH RETENTION- PAPER TUBE | 48 | 2305110 | PAD-PIVOT SUPT [4.EA] | ■ | 2774700 | FOOT PEDAL ASSEMBLY |
| 12 | 738-036 | BRUSH PLATE W/HOLDER | 49 | 2305101 | PIVOT PAD [2.EA] | 91 | 2304511 | FOOT PEDAL BASE |
| 13 | 975-040 | SPRING - TORSION [2.EA] | 50 | 2300500 | PIN-LATCH | 92 | 2308500 | WEAR PLATE FOOT PDL |
| 14 | 337-036 | GASKET | 51 | 2300510 | PIN-PIVOT | 93 | 2304516 | FOOT PEDAL-UPPER |
| 15 | 701-008 | O-RING, THRU-BOLT [2.EA] | 52 | 2013100 | NUT-SPEED [4.EA] | 94 | 2304520 | FOOT PEDAL-LOWER |
| 16 | 701-081 | O-RING | 53 | 2303612 | ROD-RELEASE RT/AP SS | 95 | 2307210 | LEVER MOM/CON- |
| 17 | 830-007 | SCREW-8-32 [2.EA] | 54 | 2302700 | SPRING-RELEASE LEVER | 96 | 2302730 | SPRING-LONG-UPPER PEDAL [2.EA] |
| 18 | 830-008 | THRU-BOLT 10-32X9.2 [2.EA] | 55 | 2303710 | LEVER-RELEASE | 97 | 2302731 | SPRING-SHORT-UPPER PEDAL |
| 19 | 990-067 | WASHER- STEEL THRUST | 56 | 2300101 | RELEASE-KNOB | 98 | 2302732 | SPRING-LOWER PEDAL |
| 20 | 990-070 | WASHER - NYLATRON[2.EA] | 57 | 2301700 | SPACER-RELEASE LEVER | 99 | 2304012 | CONTROL BOARD ASSEMBLY-FT PDL |
| 21 | 2096032 | MOTOR ASSEMBLY 24V 3.62 VARS TXT | 58 | 2303430 | SCREW-1/4-20 X 5/8 | 100 | 2300120 | KNOB-SPEED SELECTOR |
| | 2106032 | MOTOR ASSEMBLY-SONAR 24V 3.62 | 59 | 2031522 | COLLAR- DRIVE (W/INSERT) | 101 | 2300121 | HOUSING SPEED SELECTOR |
| 25 | 2032076 | TUBE-CARBON COMPOSITE 54" | 60 | 2011365 | SCREW-COLLAR/NEW KNOB | 102 | 2302840 | ACTUATOR-BOARD |
| | 2032087 | TUBE-CARBON COMPOSITE 62" | 61 | 2304045 | CTRL BOARD ASSEMBLY-24V PD/AP | 103 | 2302841 | ACTUATOR-MOM/CON |
| ■ | 1378131 | PROPELLER KIT | 62 | 2355410 | SHRINK TUBE-3/8 ODX2 | 105 | 2302842 | ACTUATOR-STEERING |
| 26 | 2091160 | PROPELLER W/WEDGE 2 | 64 | 2332100 | SCREW-8-32 X 3/8 [3.EA] | 106 | 2302100 | SCREW-6-20 X 1/2 [5.EA] |
| 27 | 2151726 | WASHER-5/16 SS | 65 | 2090601 | LEADWIRE IOGA 44" | 107 | 2372100 | SCREW-8-18 X 5/8 [5.EA] |
| 28 | 2053101 | NUT-PROP NYLOC 5/16 SS | 66 | 2020700 | TERMINAL RING [2.EA] | 108 | 2266610 | DECAL-ON/OFF SWITCH |
| 29 | 2092600 | PIN-DRIVE | 67 | 2222906 | STRAIN RELIEF- BRACKET PD/AP | 109 | 2335130 | BUMPER ACTUATOR |
| 30 | 2301545 | COLLAR- LATCH PD/AP | 68 | 2303430 | SCREW-1/4-20 X 5/8 | 110 | 2994807 | BAG ASSEMBLY- 4 RUBBER BUMPERS |
| 31 | 2303434 | SCREW- 8-32X5/8 MACH PHCR | 69 | 2306555 | HOUSING- CENTER PD/AP | ■ | 2994803 | BAG ASSEMBLY- (BOLT,NUT,WASHERS) |
| 32 | 2303112 | NUT 8-32 NYLOC SS | 70 | 2034026 | BATTERY GAUGE - 24 VOLT | *112 | 2153501 | BOLT-MOUNTING-3500 W/STG [4.EA] |
| 33 | 2301932 | EXTRUSION- BASE MACHINED | 71 | 2306609 | DECAL, BATTERY GAUGE | *113 | 2151726 | WASHER-5/16 [4.EA] |
| 34 | 2303932 | MOTOR REST- RIGHT LARGE 3-5/8 | 72 | 2302935 | STRAIN RELIEF-DR. HOUSING | *114 | 2153100 | NUT-5/16-18 MOUNTING [4.EA] |
| 35 | 2303937 | MOTOR REST- LEFT LARGE 3-5/8 | 73 | 2303941 | SIDEPLATE (RIGHT) PD MK | *115 | 2301720 | WASHER-MOUNTING RUBBER [6.EA] |
| 36 | 2303430 | SCREW 1/4-20X5/8 SELF TAP [4.EA] | 74 | 2303946 | SIDEPLATE(LEFT) PD MK | 116 | 2211405 | EXTENSION CABLE - SONAR |
| 37 | 2301845 | DRIVE HOUSING PD/AP 2001 | 75 | 2303430 | SCREW-1/4-20 X 5/8- [4.EA] | 117 | 2256300 | TIE WRAP 5" - SONAR |

