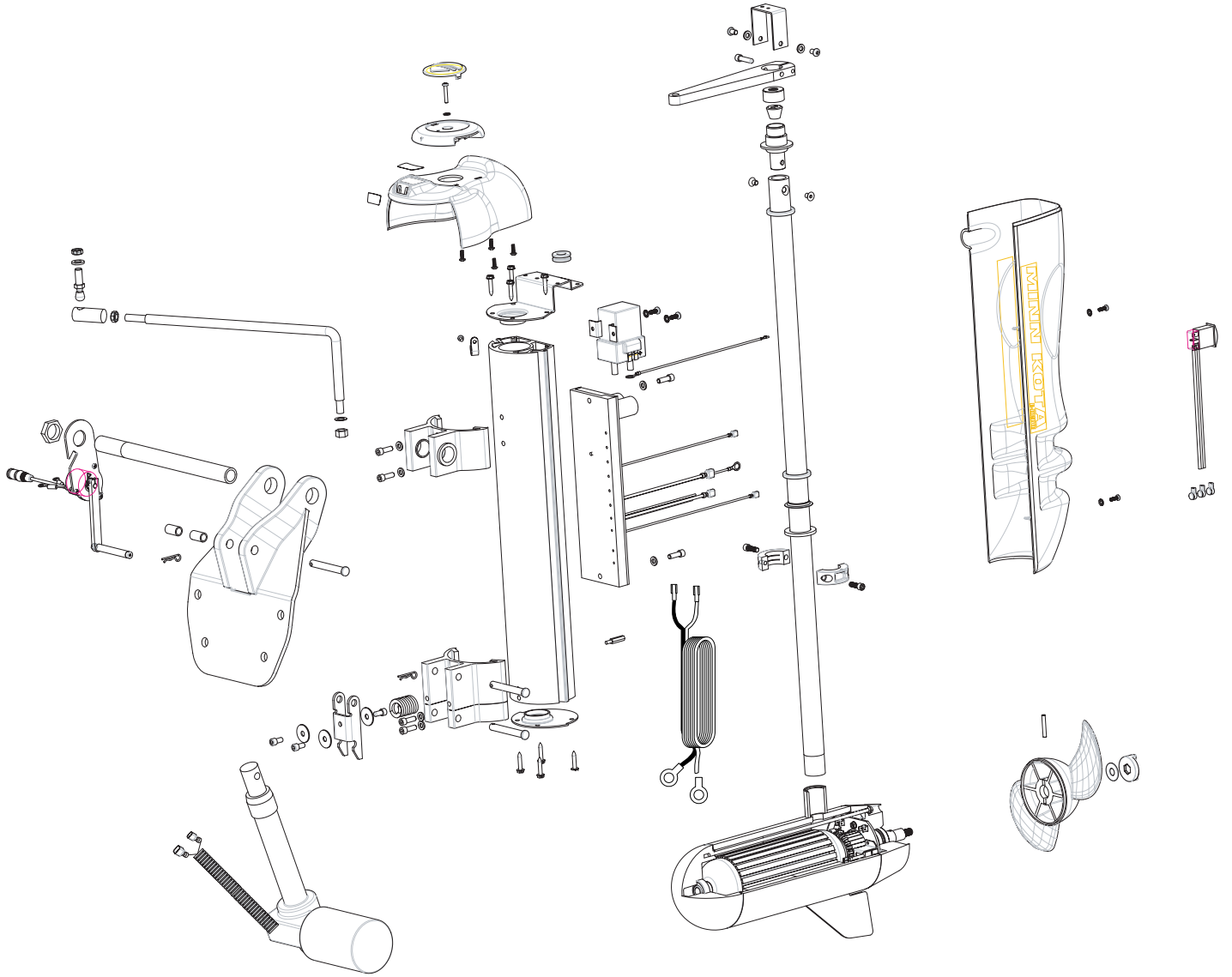


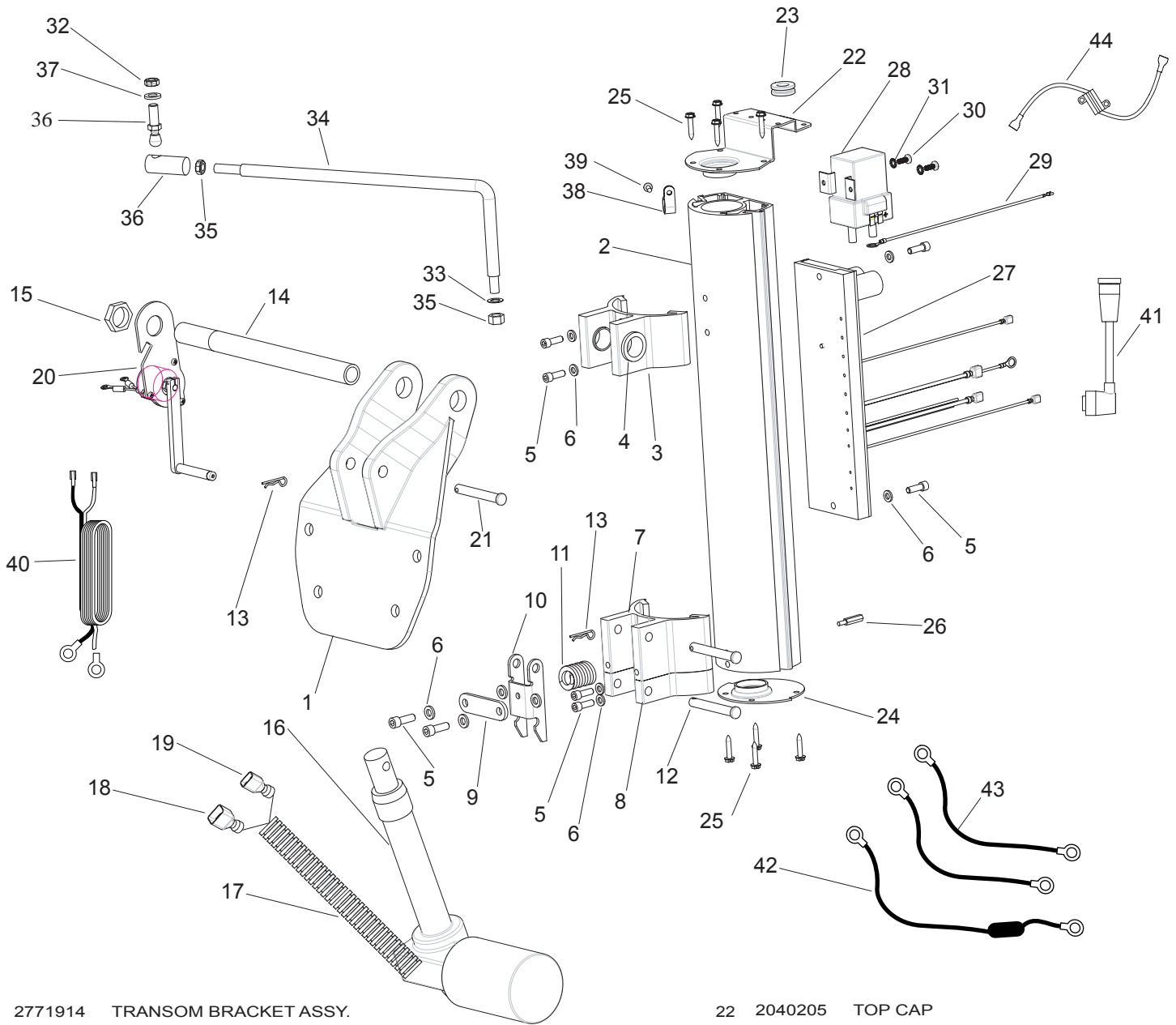
E-DRIVE 2 hp, 48-volt

for use with motors with serial numbers beginning MKAF

(2-year warranty from date of purchase)



EXTRUSION ASSEMBLY

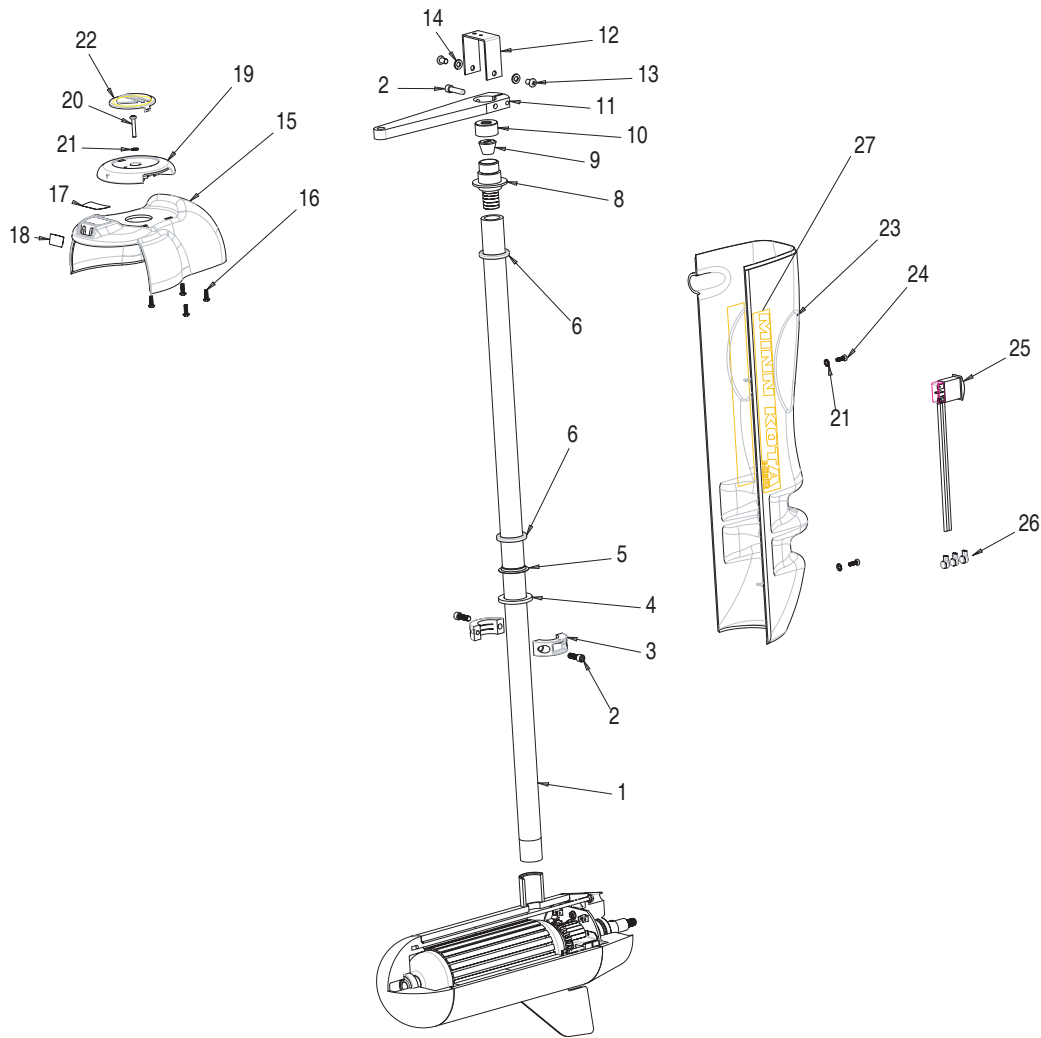


- 1 2771914 TRANSOM BRACKET ASSY.
- 2 2046505 MAIN EXTRUSION
- 2771802 HINGE EXTRUSION ASSY.
- *3 2041802 HINGE EXTRUSION
- *4 2047300 BUSHING [2.EA]
- 5 9954533 SCREW 1/4-20 X 3/4" [8.EA]
- 6 9950357 LOCKWASHER [10.EA]
- 7 2041806 SLIDE EXTRUSION
- 8 2041804 STOP EXTRUSION
- 9 2041940 LATCH PLATE
- 10 2047200 LATCH
- 11 2042715 SPRING
- 12 2042600 SHORT CLEVIS PIN [2.EA]
- 13 2260801 HAIR SPRING CLIP [3.EA]
- 14 2042000 STEERING TUBE
- 15 9950825 HEX STEERING NUT
- 2772800 ACTUATOR ASSEMBLY
(includes items #15, 16, 17, 18)
- 16 2042801 ACTUATOR
- 17 2042021 CORRUGATED TUBE
- 18 2040710 TERMINAL [MALE]
- 19 2040711 TERMINAL [FEMALE]
- 20 2041935 TILT BRACKET
- 21 2042601 LONG CLEVIS PIN

- 22 2040205 TOP CAP
- 23 2042905 GROMMET
- 24 2040200 BOTTOM CAP
- 25 2053413 SCREW #10-16 X 1" [8.EA]
- 26 2042911 HEX STANDOFF
- 27 2044006 CONTROL BOARD
- 28 2040700 CONTACTOR
- 29 2040600 CONNECTING WIRE
- 30 2223454 SCREW #10-32 X 1/2"
- 31 2261718 LOCK WASHER
- 2774210 DRAG LINK ASSEMBLY
(includes items #32,33,34,35,36,37)
- 32 2383104 NYLOK NUT 3/8-24
- 33 990-067 THRUST WASHER
- 34 2044210 DRAG LINK
- 35 2263105 HEX NUT 3/8-24 [2.EA]
- 36 2383515 QUICK DISCONNECT
- 37 9909003 LOCK WASHER
- 38 2052512 CABLE CLAMP
- 39 2053415 SCREW 8-32 X 3/8" TRI-LOBE
- 40 2040605 LEADWIRE 10GA.
- 41 2041401 THROTTLE CABLE (3')
- 42 2998200 CIRCUIT BREAKER ASSY.
- 43 2340610 CONNECTOR CABLE [2.EA]
- 44 2994071 RESISTOR ASSEMBLY

* part of an assembly, not available separately.

MOTOR SHAFT ASSEMBLY

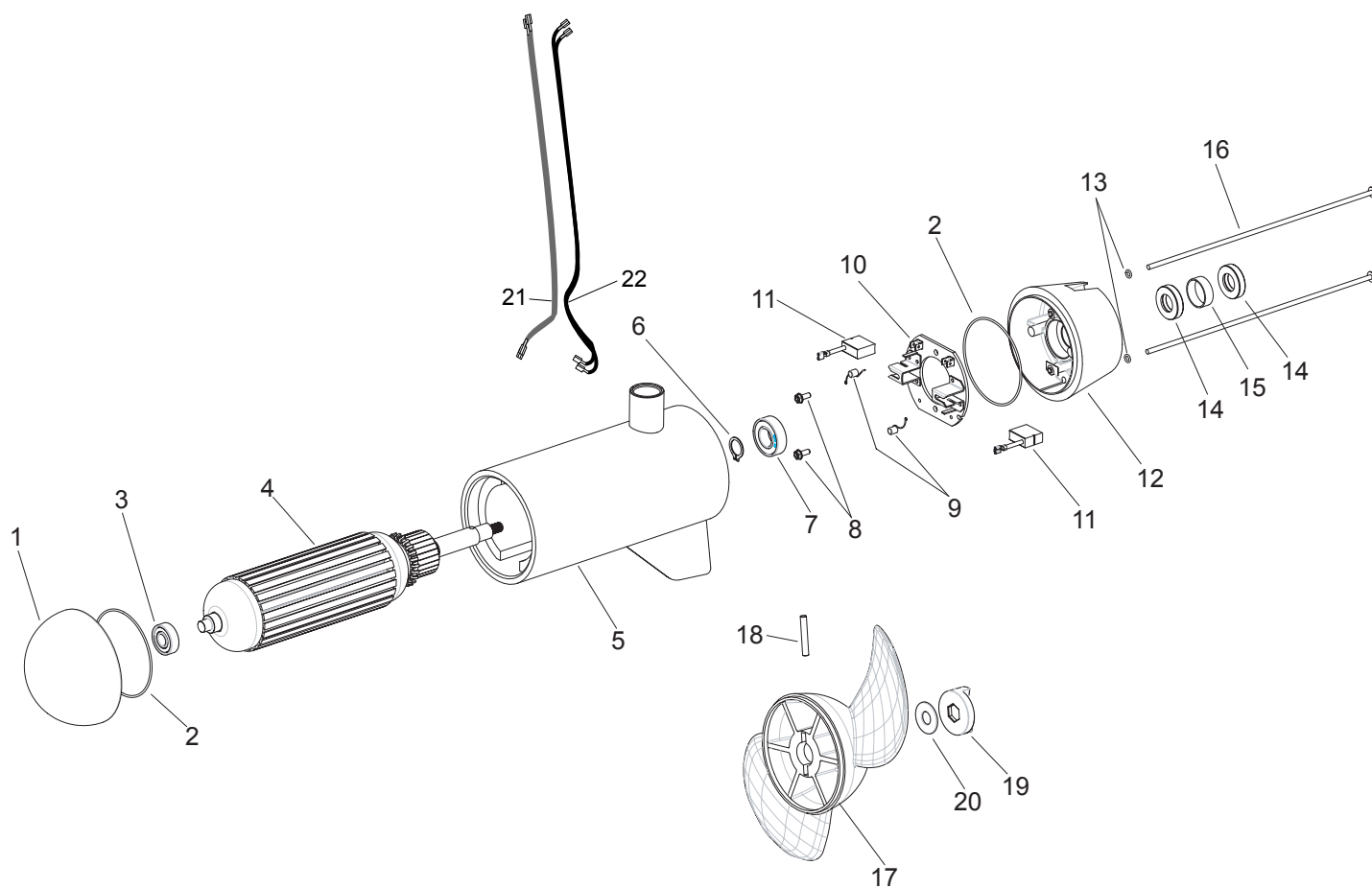


- 1 2042011 MOTOR TUBE
- 2 2263453 1/4-20 X 1 " SHCS [2.EA]
- 3 2261619 SPLIT COLLAR
- 4 2041700 SPACER WASHER
- 5 2266115 BEARING CONE
- 6 2266000 BEARING [2.EA]
- 8 2046201 MAIN BEARING RACE
- 9 2382900 PLUG
- 10 9950339 CAP
- 2774200 STEERING ARM ASSEMBLY
(includes items #2 and #12)
- *11 2044200 STEERING ARM
- 12 2041910 INDICATOR BRACKET
- 13 2043416 1/4-28 X 3/8" BHCS [2.EA]
- 14 9950357 1/4" LOCK WASHER [2.EA]
- 15 2050210 SHROUD
- 16 2372100 SCREW #8 X 5/8" [4.EA]
- 17 2045600 DECAL [TOP]
- 18 2045610 DECAL [SIDE]

- 19 2050110 POINTER KNOB
- 20 2263447 SCREW #8-32 X 1 TRI-LOBE
- 21 2371715 #8 LOCK WASHER [2.EA]
- 22 2056700 POINTER
- 2770222 SHIELD ASSEMBLY
(includes items #23 and #27)
- *23 2040220 SHIELD
- 24 2332101 #8-32 X 1/2" [2.EA]
- 25 2994022 TILT SWITCH ASSEMBLY
- 26 2040340 SCOTCHLOCK CONN. [3.EA]
- *27 2045611 DECAL-SHIELD

* part of an assembly, not available separately.

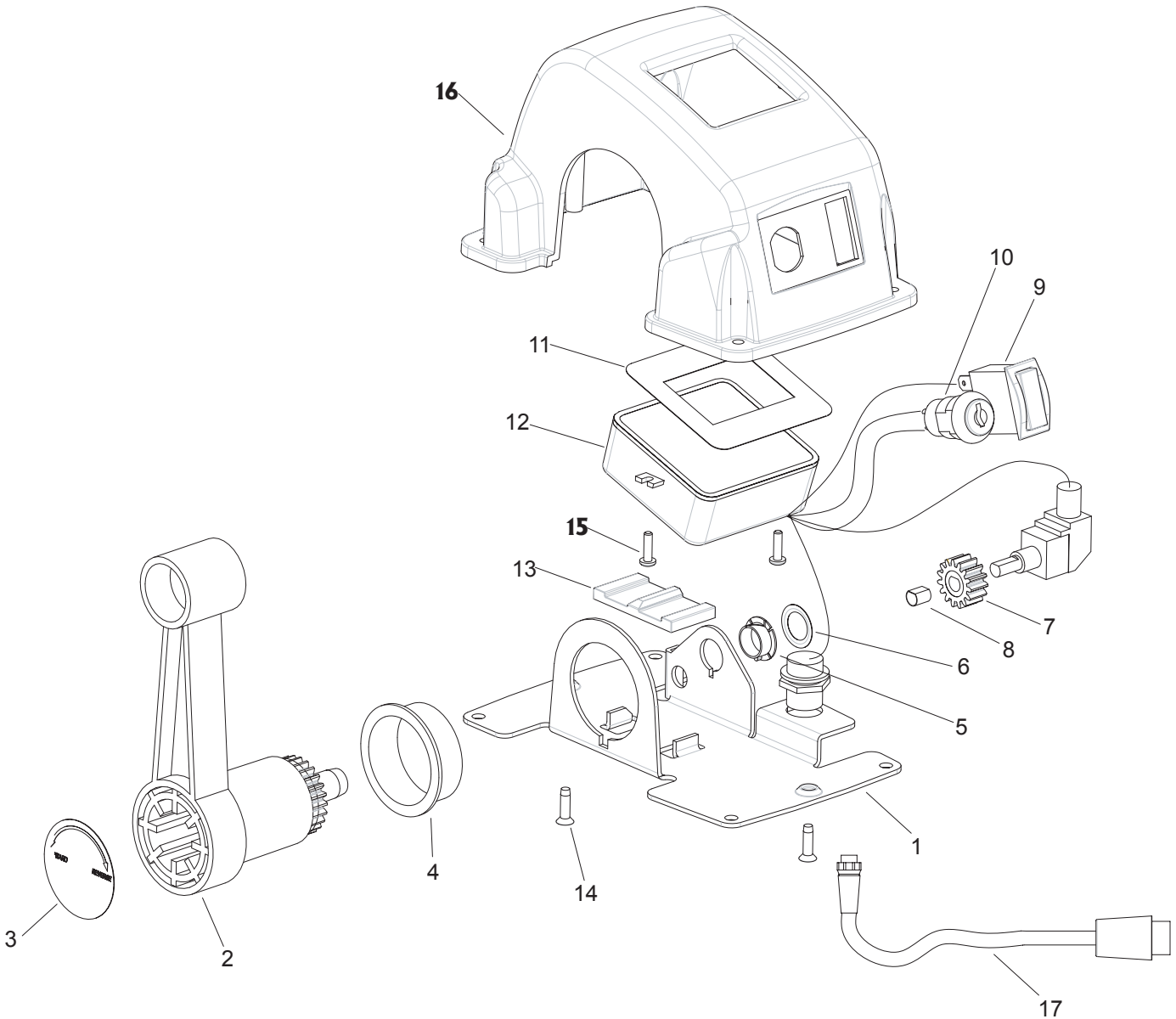
LOWER UNIT ASSEMBLY



- 2357000 MOTOR ASSEMBLY
- 1 421-310 PLAIN END
- 2 701-044 O-RING [2.EA]
- 3 140-011 BEARING
- 4 2-100-210 ARMATURE
- 92-200-210 CENTER HOUSING ASSEMBLY
- *5 2-200-210 CENTER HOUSING
- 6 788-075 SNAP RING
- 7 140-013 BEARING
- 8 2053410 SCREW [2.EA]
- 9 975-041 SPRING [2.EA]
- 92-600-210 BRUSH PLATE ASSEMBLY
- *10 2-600-210 BRUSH PLATE
- 11 188-096 BRUSH [2.EA]
- 12 421-210 BRUSH END
- 2884460 SEAL AND O-RING KIT
- 13 701-009 O-RING-THRU BOLT [2.EA]
- 14 880-027 SEAL [2.EA]
- 15 725-097 SEAL SPACER
- 16 830-096 THROUGH-BOLT [2.EA]
- 1378140 PROP KIT (includes 17,18,19,20)
- *17 2991110 PROP ASSEMBLY
- 2882601 PROP PIN / ANODE KIT
- *18 2352601 PROP PIN
- 19 2198401 ANODE
- 20 2091701 PROP WASHER
- 21 640-030 BLACK LEAD WIRE
- 22 640-130 RED LEAD WIRE

* part of an assembly, not available separately.

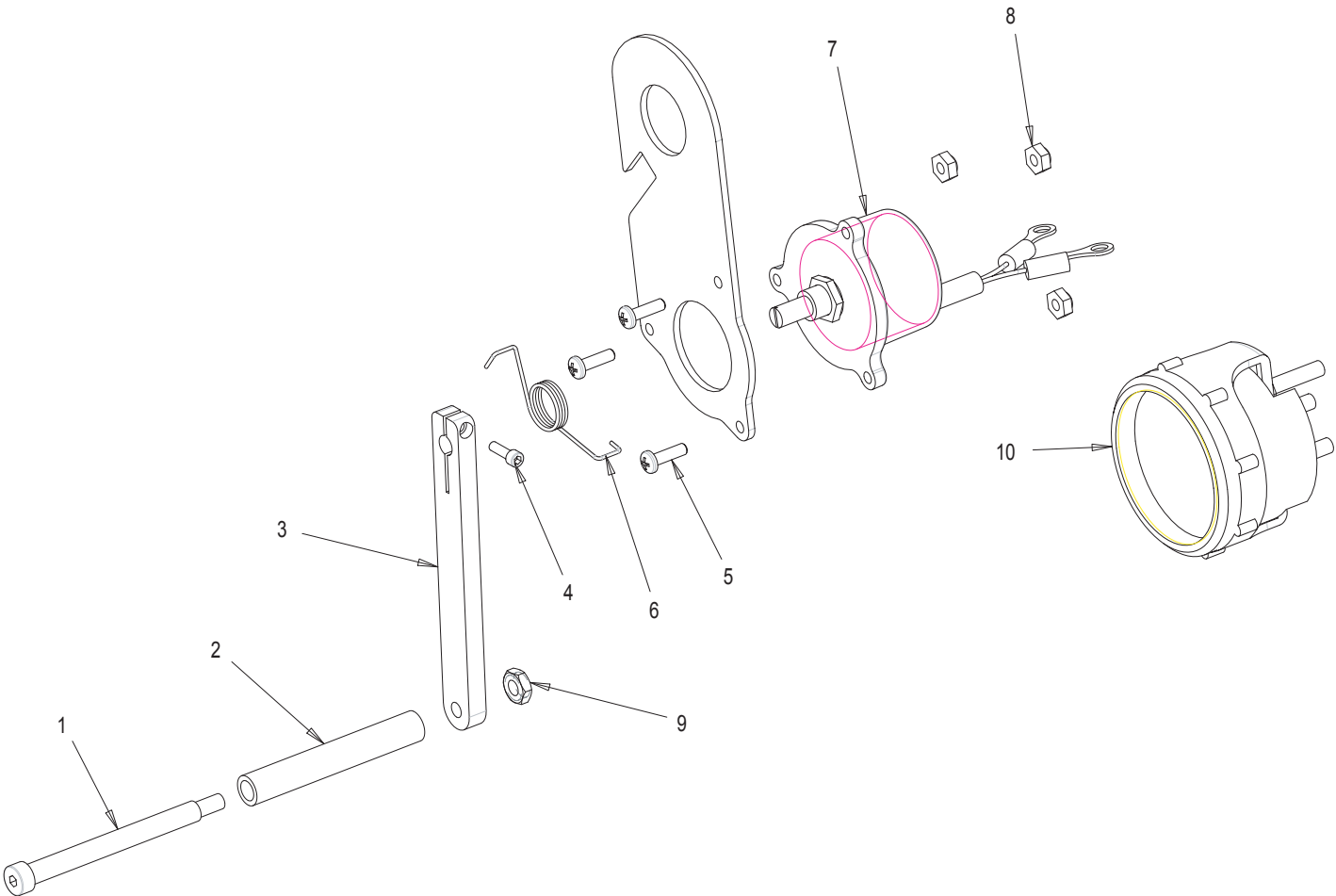
THROTTLE ASSEMBLY



- 2770216 THROTTLE ASSEMBLY
- 1 2041915 BASE- THROTTLE
- 2880900 HANDLE /W DECAL
- *2 2040900 HANDLE -THROTTLE
- *3 2045620 HANDLE- THROTTLE DECAL
- 4 2307305 OUTER BUSHING
- 5 2047315 BEARING- NYLINER
- 6 2043110 SPEED NUT
- 7 2042200 POTENTIOMETER GEAR
- 8 2042705 KNOB SPRING
- 9 2044020 TILT SWITCH
- 10 2044026 KEY SWITCH
- 2884013 LCD ASSEMBLY
- *11 2045615 LCD DECAL
- *12 2044011 LCD / CABLE ASSEMBLY
(includes potentiometer and cable plug)
- 13 2042701 HANDLE SPRING
- 14 2043408 SCREW #8-18 X 5/8" [2.EA]
- 15 2302100 SCREW #6-20 X 1/2" [2.EA]
- 16 2040215 THROTTLE COVER
- 17 2041402 THROTTLE CABLE (17')

* part of an assembly, not available separately.

TILT GAUGE ASSEMBLY



- 1 2043500 SHOULDER BOLT
- 2 2042005 ROLLER TUBE
- 3 2044220 TILT SENDER ARM
- 4 2043402 #4-40 X 7/16" SCREW
- 5 2043400 #6-32 X 1/2" SCREW [3.EA]
- 6 2042710 TORSION SPRING
- 7 2998405 POTENTIOMETER ASSEMBLY
- 8 2043112 #6-32 NYLOK NUT [3.EA]
- 9 2013110 #10-24 HEX NUT
- 10 2044030 TILT GAUGE

* part of an assembly, not available separately.

CONTROL BOARD WIRING for p/n 2044006

