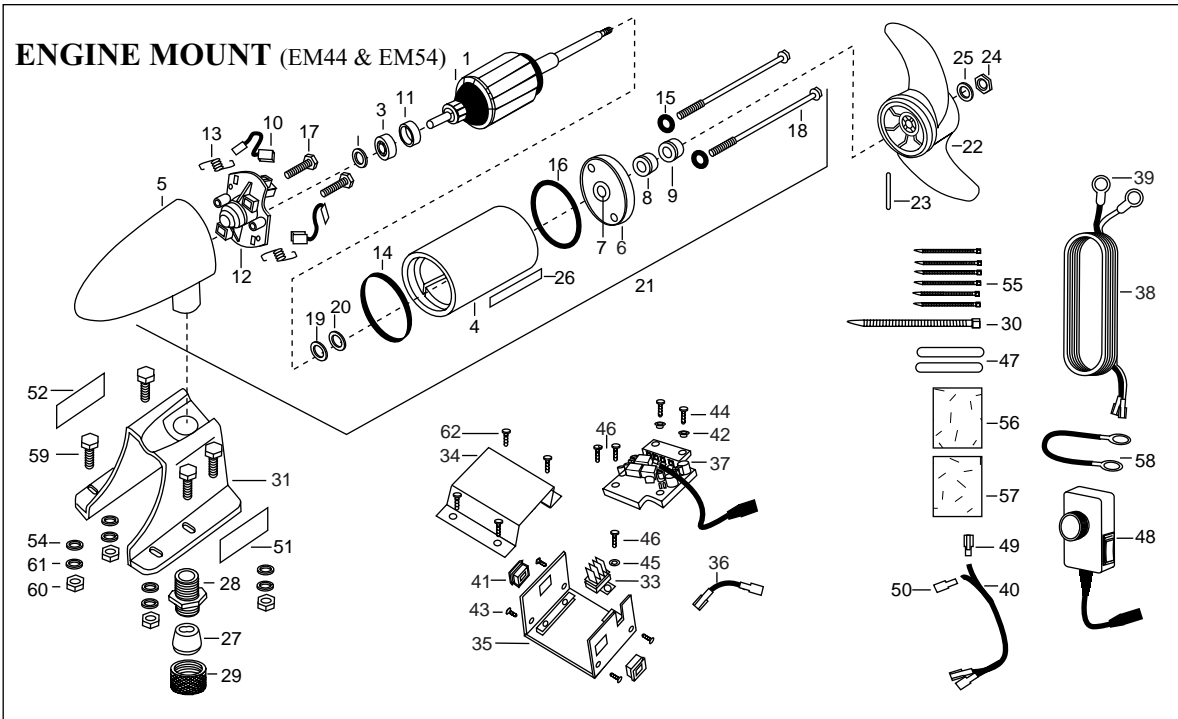
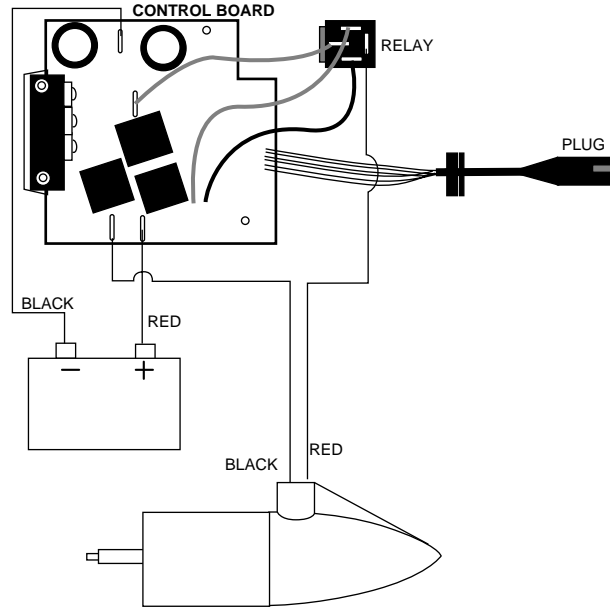


ENGINE MOUNT (EM44 & EM54)



- | | | | | | |
|----|------------|------------------------------------|----|---------|------------------------------------|
| 1 | 92-100-105 | ARMATURE ASSEMBLY EM44 | 33 | 2384007 | RELAY- MOTOR DISCONNECT |
| | 92-100-106 | ARMATURE ASSEMBLY EM54 | 34 | 2386590 | HOUSING- COVER CONTROL MODULE |
| | | | 35 | 2386592 | HOUSING- BASE CONTROL MODULE |
| 3 | 140-010 | BEARING- BALL | 36 | 2020310 | CONNECTING WIRE 4-1/2" |
| 4 | 92-200-101 | CENTER HOUSING ASSEMBLY 3.62 | 37 | 2384025 | CONTROL BOARD 12V |
| 5 | 421-001 | BRUSH END HOUSING 3.62 FW | | 2384026 | CONTROL BOARD 24V |
| 6 | 92-400-101 | PLAIN END HOUSING ASSEMBLY | 38 | 2770610 | LEADWIRE ASSEMBLY- 10 GA RINGS |
| 7 | 144-049 | BEARING- FLANGE | 39 | 2880702 | RING TERMINALS [2.EA] |
| 8 | 880-003 | SEAL | 40 | 2770603 | LEADWIRE/DISCONNECT ASSEMBLY |
| 9 | 880-006 | SEAL-W/SHIELD | 41 | 2302921 | GROMMET- LEADWIRE/SPD CNTRL [2.EA] |
| 10 | 188-036 | BRUSH ASSEMBLY [2.EA] | 42 | 2301710 | WASHER-INSULATED TRANSF BAR [2.EA] |
| 11 | 725-050 | PAPER TUBE- BRUSH RETENTION | 43 | 2373426 | SCREW- 4- 40 X 1/4 PPH TCS [4.EA] |
| 12 | 738-036 | BRUSH PLATE W/HOLDER | 44 | 2332101 | SCREW- 8- 32 X 1/2 SS [2.EA] |
| 13 | 975-040 | SPRING- TORSION [2.EA] | 45 | 2381715 | LOCKWASHER- STAR #8 ZINC [4.EA] |
| 14 | 337-036 | GASKET | 46 | 2373425 | SCREW- 8-32 X 5/16 PPHMS [3.EA] |
| 15 | 701-008 | O-RING- THRU BOLT [2.EA] | 47 | 2305400 | SHRINK TUBE 3/8 OD X 1/ [2.EA] |
| 16 | 701-081 | O-RING | 48 | 2770230 | HAND CONTROLLER- MK |
| 17 | 830-007 | SCREW- #8-32 [2.EA] | 49 | 2380300 | CONNECTOR- MALE .250 |
| 18 | 830-042 | THRU BOLT 10-32 X 8.83 [2.EA] | 50 | 2380301 | CONNECTOR- FEMALE .250 |
| 19 | 990-067 | THRUST WASHER- STEEL | 51 | 2385621 | DECAL- EM44 SIDE BRKT RIGHT |
| 20 | 990-070 | THRUST WASHER- NYLATRON [2.EA] | | 2385623 | DECAL- EM54 SIDE BRKT RIGHT |
| 21 | 2387003 | MOTOR ASSEMBLY EM44 12V VARS | 52 | 2385622 | DECAL- EM44 SIDE BRKT LEFT |
| | 2387004 | MOTOR ASSEMBLY EM54 24V VARS | | 2385624 | DECAL- EM54 SIDE BRKT LEFT |
| 22 | 2091130 | PROPELLER- (includes 23-24) | ■ | 2994823 | BAG ASSEMBLY 54EM |
| 23 | 2092600 | PIN- DRIVE | | 2994822 | BAG ASSEMBLY 44EM |
| 24 | 2053101 | NUT- PROP NYLOCK 5/16 SS | 54 | 2151726 | WASHER 5/16 STD SS [4.EA] |
| 25 | 2151726 | WASHER 5/16 STD SS | 55 | 2256300 | TIE WRAP 5.5" [6.EA] |
| 26 | 2385608 | DECAL- MK MAX QKREL EM44/54 [2.EA] | 56 | 9950950 | VELCRO® 2 X 2.9 HOOK |
| 27 | 2382900 | GROMMET- SPLIT | 57 | 9950953 | VELCRO® 2 X 2.9 LOOP |
| 28 | 2382500 | BOLT- MOTOR FITTING | 58 | 2090620 | CONNECTOR CABLE 24V EM54 ONLY |
| 29 | 9950339 | CAP- MOTOR FITTING FIN | 59 | 2383501 | BOLT- 5/16-18 X 1-1/2 SS [4.EA] |
| 30 | 9953310 | TIE WRAP 8.5" | 60 | 2383106 | NUT- 5/16-18 SS [4.EA] |
| 31 | 2381905 | BRACKET/CUP ASSEMBLY | 61 | 2371714 | LOCKWASHER- SPLIT [4.EA] |
| ■ | 2770220 | CONTROL MODULE. ASSEMBLY- 12V | 62 | 2373427 | SCREW- BOAT #12 X 5/8 [4.EA] |
| | 2770221 | CNTRL MODULE ASSEMBLY- 24V | | | |

EM44



EM54

