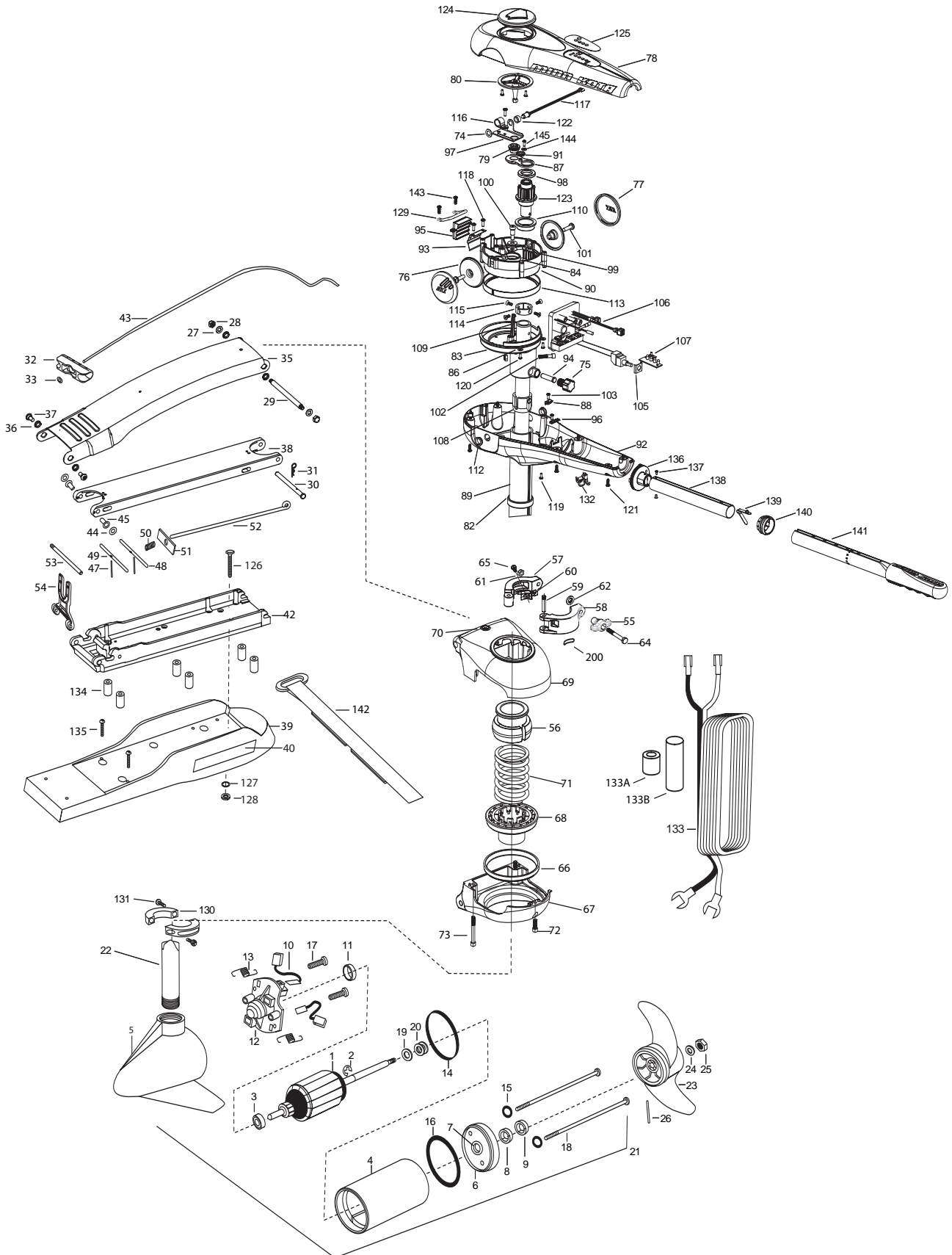


**RT55/B/H-3X STEERING**  
**BOWGUARD 360° MOUNT**  
**55 LBS THRUST**  
**12 VOLT 50 AMPS**  
**52" SHAFT**

for use with "WWAF" serial numbers  
 3-year warranty from the date of purchase



1	2-100-115	ARMATURE ASSEMBLY	50	2152701	SPRING-LOCKBAR SS	99	2073100	HEX NUT - NYLOC [2 EA.]
2	140-010	BALL BEARING	51	2262703	SPRING STOP	100	2073400	SCREW 5/16" X 1/2" SHOULDER
3	788-015	RETAINING RING	52	2153603	EYE SHAFT-2LOCKBAR STD-SS	101	2073408	SCREW [2 EA.]
4	2-200-301	HOUSING ASSEMBLY CENTER 3.62 TXT	53	2260505	HINGE-PIN HEADLESS ZINC	102	2073410	SCREW
5	421-336	HOUSING -BRUSH END 3.62 TXT	54	2293811	YOKE,MAX MNT-POLYPROPYLENE	103	2073414	SCREW 6-32 PPH [2 EA.]
6	2-400-337	PLAIN END HOUSING ASSEMBLY 3.625	■	2991765	BOWGUARD ASSEMBLY	105	2074000	POT CLIP
7	144-049	BEARING - FLANGE (SERVICE ONLY)	55	2070120	KNOB CLAMP COLLAR	106	2074060	CONTROL BOARD ASSEMBLY
8	880-003	SEAL	56	2071541	SPRING SLEEVE- UPPER	107	2074080	BATTERY METER
9	880-006	SEAL WITH SHIELD	■	2991555	COLLAR/CLAMP ASSEMBLY	108	2075100	TENSION SLEEVE
10	188-036	BRUSH ASSEMBLY [2.EA]	57	2071550	COLLAR CLAMP "A"	109	2076701	KEY - TUBE
11	725-050	BRUSH RETENTION- PAPER TUBE	58	2071555	COLLAR CLAMP "B"	110	2077305	BEARING UPPER
12	738-036	BRUSH PLATE W/HOLDER	59	2072621	PIN KNURLED	112	2077316	BUSHING-PIVOT [2 EA.]
13	975-040	SPRING - TORSION [2.EA]	60	2072821	ORIENTATION BLOCK	113	2077320	BEARING - GEAR CARRIER
14	337-036	GASKET	61	2073102	HEX NUT	114	2071560	COLLAR TUBE
15	701-008	O-RING, THRU-BOLT [2.EA]	62	2071718	WASHER- #10 NYLON	115	2223468	SCREW 8-32 [4 EA.]
16	701-081	O-RING	64	2073412	SCREW 1/4 - 28"HHC	116	2263201	CLAMP WIRE HARNESS
17	830-007	SCREW-8-32 [2.EA]	65	2073418	SCREW 10-32 SS	117	2264015	LIGHT INDICATOR
18	830-042	THRU-BOLT 10-32X8.83 [2.EA]	■	2991772	BRACKET/BEARING ASSEMBLY	118	2372100	SCREW 8-18 SS [2 EA.]
19	990-067	WASHER- STEEL THRUST	*66	2261531	BEARING	119	2073416	SCREW 8-32 SS SHCS [2 EA.]
20	990-070	WASHER - NYLATRON [2.EA]	*67	2262051	BRACKET BASE BOTTOM	120	2303412	SCREW 6-20 [2 EA.]
21	2097100	MOTOR ASSEMBLY 12V 3.62 VARS F/W	68	2261535	SPRING SLEEVE LOWER	121	2303412	SCREW 6-20 X 5/8" [6 EA.]
22	2072011	TUBE- COMPOSITE 3:1 52" WHT.	69	2772318	BRACKET BASE TOP W/ EYELET	122	2071525	SPACER-INDICATOR LIGHT
■	1378131	PROPELLER KIT	70	2262315	EYELET ROPE	123	2992205	PINION - MAIN
23	2091160	PROPELLER W/WEDGE 2	71	2262705	SPRING BOWGUARD	124	2998601	INDICATOR ASSEMBLY
24	2151726	WASHER-5/16 SS	72	2263422	SCREW 5/16-18 X 1" SHCS SS	125	2075631	DECAL COVER RT55 W/3X
25	2198400	ANODE	73	2263424	SCREW 5/16-18" X 2-1/2" SHCS SS [2 EA.]	■	2994830	BAG ASSEMBLY - MAXXUM VECTOR
26	2092600	PIN-DRIVE	74	2013100	SPEED NUT	*126	2263431	1/4-20X3.5" PPH [6.EA]
27	2261722	WASHER 1/4 FLAT [2.EA]	75	2070105	KNOB-TENSION	*127	2261713	WASHER 1/4 FLAT SS [6.EA]
28	2223100	NUT- TENSION 5/16-18 SS [2 .EA]	76	2070110	PIVOT KNOB [2 EA.]	*128	2263103	NUT 1/4-20 NYLOC-JAM SS [6.EA]
29	2262604	PIN- BWGRD UPPER THREADED	77	2070118	COVER-PIVOT KNOB	129	2072815	BRACKET-TILT STOP
30	2262606	CLEVIS PIN ZP MAXXUM BWGRD	78	2070206	COVER 3:1	130	2261622	COLLAR HALF [2 EA.]
31	2260800	SPRING CLIP	79	2070800	COUPLER SOCKET	131	2263453	SCREW 1/4-20X1" [2 EA.]
32	2150400	PULL-GRIP	80	2070810	COUPLER DRIVE	132	2052900	STRAIN RELIEF
33	2151700	WASHER-EYE SHAFT(.562 OD)	82	2071500	COLLAR- LOWER	133	2090650	LEADWIRE
■	2991857	MOUNT, BOW ASSEMBLY STD. WHT.	83	2071513	YOKE-PIVOT SUPPORT	133A	2307310	BEAD - FERRITE (CE MODELS ONLY)
35	2264244	ARM-UPPER SW,STD	84	2071710	WASHER NYLATRON [2 EA.]	133B	2075401	HEAT SHRINK 1.10" OD X 3.5 (CE MODELS ONLY)
36	2293501	BUSHING, STAINLESS STEEL [4.EA]	85	2071712	WASHER SS	■	2994832	BAG ASSEMBLY-MAXXUM VECTOR
37	2263500	BOLT- SHOULDER (MAXXUM) [2.EA]	86	2071714	WASHER FLAT #6 [2 EA.]	*134	2261505	SPACER, MOTOR REST [6.EA]
38	2994310	ARM-LOWER ASSEMBLY,STD.,SW,EXT	87	2071900	IDLER PLATE	*135	2263434	SCREW, 8-18 X 1" PPH SS [2.EA]
39	2263914	MOTOR REST STD. MAXXUM	88	2071905	BRACKET- SENSOR SWITCH	136	2990404	PIVOT HANDLE ASSEMBLY
40	2065676	DECAL-MAXXUM,MOTOR REST [2.EA]	89	2072091	OUTER TUBE 3:1 52" WHT.	137	2072102	SCREW #6 X 1/4" [2 EA.]
41	2261505	SPACER, MOTOR REST [6.EA]	90	2072210	GEAR CARRIER	138	2070425	HANDLE-TUBE
42	2993983	BOWPLATE, LONG SW-MACH/INSERT	91	2072215	GEAR- IDLER	139	2070411	LATCH-BUTTON
43	2251601	ROPE (40"), MAXXUM MOUNT	92	2072502	CONTROL BOX	140	2070010	BEARING
44	2261707	WASHER-3/8X1/2X.010" SS [2.EA]	93	2072705	SPRING DETENT	141	2990930A	HANDLE ASSEMBLY-EXT.
45	2236000	BEARING NYLINER-[2.EA]	94	2072710	SPRING TENSION SLEEVE	142	2263804	STRAP-HOLD DOWN
46	2263434	SCREW, 8-18 X 1" PPH SS [2.EA]	95	2072810	DETENT BLOCK-TILT	143	2332101	SCREW #8-32 X 1/2" SS [2 EA.]
47	2152612	SPRING-PIN LOCKBAR [2.EA]	96	2072811	DETENT BLOCK-SWITCH	144	2071720	#4 WASHER SS
48	2233621	LOCK BAR- BOW MOUNT	97	2072900	RETAINER COUPLER	145	2373440	#4 SCREW SS
49	2233623	LOCK BAR, REAR - SS	98	2073000	RING PRELOAD	200	2075120	URETHANE PAD

