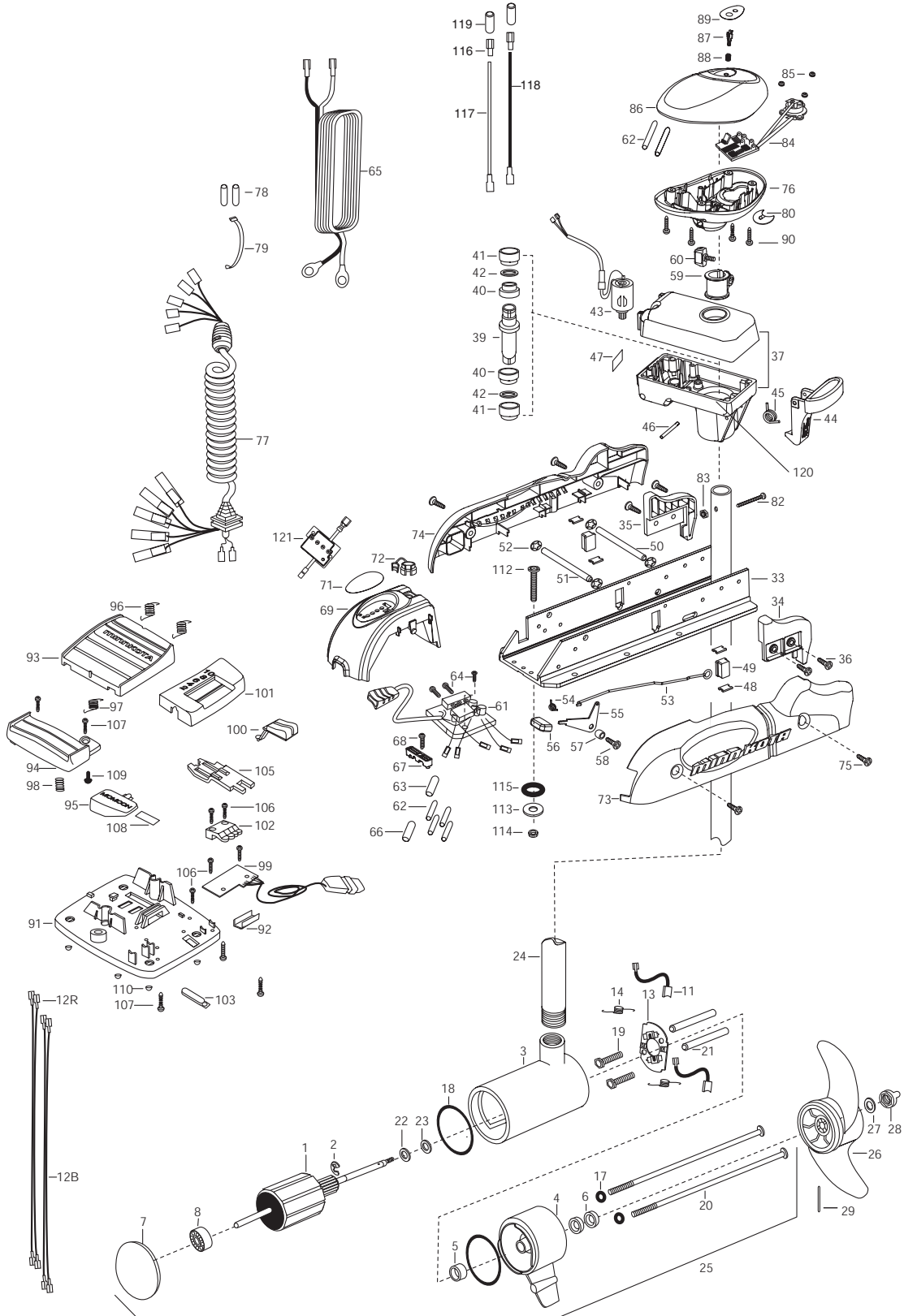


RT80/AP
80 LBS THRUST
24 VOLT 56 AMPS
54" OR 60" SHAFT

for use with "WWAF" serial numbers
3-year warranty from the date of purchase



| | | | | | | | | |
|-----|-----------|-------------------------------------|----|---------|---------------------------------|------|---------|------------------------------------|
| 1 | 2-100-213 | ARMATURE ASSEMBLY 24V 4.0 74# | 43 | 2307050 | MOTOR- DRIVE HOUSING HIGH SPD | 85 | 2302960 | GROMMET-COMPASS [3.EA] |
| 2 | 788-040 | RETAINING RING | 44 | 2307215 | LATCH HANDLE PD/AP | 86 | 2300243 | CONTROL BOX COVER- RT/AP WHITE |
| 3 | 2-200-397 | CENTER HOUSING ASSEMBLY 4.0 MAGNE | 45 | 2302750 | SPRING- LATCH TORSION PD/AP | 87 | 2304082 | ACTUATOR- SWITCH ON/OFF A/P |
| 4 | 2-300-340 | BRUSH END HOUSING ASSEMBLY 4.0 SW | 46 | 2302626 | PIN- ROLL 3/16 X 2 SS | 88 | 2302752 | SPRING- ACTUATOR PD/AP SS |
| 5 | 144-017 | BEARING- FLANGE | 47 | 2305515 | DECAL-STOW/DEPLOY PD/AP 2001 | 89 | 2305681 | DECAL- COVER ON/OFF |
| 6 | 880-025 | SEAL [2.EA] | 48 | 2335110 | PAD-PIVOT SUPPORT SS [4.EA] | 90 | 2372100 | SCREW-8-18 X 5/8 SS [4.EA] |
| 7 | 421-360 | PLAIN END HOUSING ASSEMBLY 4.0 | 49 | 2305101 | PIVOT PAD [2.EA] | ■ | 2774700 | FOOT PEDAL ASSEMBLY |
| 8 | 140-010 | BALL BEARING | 50 | 2300505 | PIN-LATCH PD BASE SS | 91 | 2304511 | FOOT PEDAL BASE |
| 11 | 186-094 | BRUSH 4" W/TERMINAL [2.EA] | 51 | 2300515 | PIN-PIVOT PD BASE SS | 92 | 2308500 | WEAR PLATE FOOT PDL |
| 12B | 640-015 | BRUSH WIRE 10 AWG- BLACK 61 | 52 | 2333100 | NUT-SPEED SS [4.EA] | 93 | 2304516 | FOOT PEDAL-UPPER |
| 12R | 640-119 | BRUSH WIRE 10 AWG- RED 62.5 | 53 | 2303612 | ROD-RELEASE RT/AP SS | 94 | 2304520 | FOOT PEDAL-LOWER |
| 13 | 738-004 | BRUSH PLATE- 4" TERMINAL | 54 | 2302700 | SPRING-RELEASE LEVER | 95 | 2307210 | LEVER MOM/CON- |
| 14 | 975-041 | SPRING- TORSION [2.EA] | 55 | 2333705 | LEVER-RELEASE SS | 96 | 2302730 | SPRING-LONG-UPPER PEDAL [2.EA] |
| 17 | 701-009 | O-RING- THRU BOLT [2.EA] | 56 | 2300101 | RELEASE-KNOB | 97 | 2302731 | SPRING-SHORT-UPPER PEDAL |
| 18 | 701-043 | O-RING [2.EA] | 57 | 2301700 | SPACER-RELEASE LEVER | 98 | 2302732 | SPRING-LOWER PEDAL |
| 19 | 830-027 | SCREW- SELF-THREAD 10-32 X 2 [2.EA] | 58 | 2332104 | SCREW-1/4-20 X 5/8 SS | 99 | 2304012 | CONTROL BOARD ASSEMBLY-FT PDL |
| 20 | 830-094 | THRU BOLT- 12-24 X 10.31 [2.EA] | 59 | 2031522 | COLLAR- DRIVE (W/INSERT) | 100 | 2300120 | KNOB-SPEED SELECTOR |
| 21 | 973-025 | SPACER- BRUSH PLATE [2.EA] | 60 | 2011366 | SCREW-COLLAR/NEW KNOB SS | 101 | 2300121 | HOUSING SPEED SELECTOR |
| 22 | 990-051 | WASHER- STEEL THRUST | 61 | 2304045 | CTRL BOARD ASSEMBLY-24V PD/AP | 102 | 2302840 | ACTUATOR-BOARD |
| 23 | 990-052 | WASHER- NYLATRON | 62 | 2305410 | SHRINK TUBE-.314 x 2.25 [6 EA.] | 103 | 2302841 | ACTUATOR-MOM/CON |
| 24 | 2032024 | TUBE- COMPOSITE 54" AP WHT | 63 | 2305401 | SHRINK TUBE .374 X 1.50 [4 EA.] | 105 | 2302842 | ACTUATOR-STEERING |
| | 2032026 | TUBE - COMPOSITE 60" AP WHT | 64 | 2332100 | SCREW-8-32 X 3/8 [3.EA] | 106 | 2302100 | SCREW-6-20 X 1/2 [5.EA] |
| 25 | 2316242 | MOTOR ASSEMBLY 24V 4" VARS | 65 | 2090651 | LEADWIRE 10GA | 107 | 2372100 | SCREW-8-18 X 5/8 [5.EA] |
| ■ | 1378132 | PROPELLER KIT(26-29) | 66 | 2305415 | SHRINK TUBE .472 X 2.25 | 108 | 2266610 | DECAL-ON/OFF SWITCH |
| 26 | 2331160 | PROPELLER W/WEDGE 2 | 67 | 2222906 | STRAIN RELIEF- BRACKET PD/AP | 109 | 2335130 | BUMPER ACTUATOR |
| 27 | 2091701 | WASHER-5/16 SS | 68 | 2332104 | SCREW-1/4-20 X 5/8 SS | 110 | 2994807 | BAG ASSEMBLY- 4 RUBBER BUMPERS |
| 28 | 2198401 | ANODE- ZINC 4" LWR U | 69 | 2306556 | HOUSING- CENTER RT/AP WHITE | ■ | 2994812 | BAG ASSEMBLY- (BOLT, NUT, WASHERS) |
| 29 | 2262658 | PIN-DRIVE | 71 | 2306614 | DECAL, BATTERY GAUGE H-RT AP | *112 | 2333500 | BOLT-MOUNTING SS [6.EA] |
| 30 | 2301555 | COLLAR- LATCH PD/AP | 72 | 2302935 | STRAIN RELIEF-DR. HOUSING | *113 | 2151726 | WASHER-5/16 STD SS [6.EA] |
| 31 | 2303434 | SCREW- 8-32 X 5/8 MACH PHCR | 73 | 2303944 | SIDEPLATE (RIGHT) WHITE | *114 | 2383106 | NUT-5/16-18 SS [6.EA] |
| 32 | 2303112 | NUT 8-32 NYLOC SS | 74 | 2303949 | SIDEPLATE (LEFT) WHITE | *115 | 2301720 | WASHER-MOUNTING RUBBER [6.EA] |
| 33 | 2301933 | EXTRUSION- BASE ANODIZED PD/AP | 75 | 2332104 | SCREW-1/4-20 X 5/8 SS[4.EA] | 116 | 2030710 | CONNECTOR BUTT [2.EA] |
| 34 | 2303933 | MOTOR REST- RIGHT LARGE 4" | 76 | 2772516 | CONTROL BOX / DECAL ASSEMBLY | 117 | 2030317 | WIRE EXTENSION 18" - RED |
| 35 | 2303938 | MOTOR REST- LEFT LARGE 4" | 77 | 2991261 | COIL CORD WSTRAIN RELIEF AP 54" | 118 | 2030316 | WIRE EXTENSION 18" - BLACK |
| 36 | 2332104 | SCREW 1/4-20 X 5/8 SS [4.EA] | | 2991262 | COIL CORD WSTRAIN REFIEF AP 60" | 119 | 2375400 | SHRINK TUBE 1/4OD X 1-3/4 [2 EA.] |
| 37 | 2991837 | DRIVE HOUSING AP SW WHITE | 78 | 2305402 | SHRINK TUBE .374 X 2.25 [2 EA.] | 120 | 2304604 | O-RING CASE SEAL |
| ■ | 2882011 | BUSHING/ OUTSHAFT KIT | 79 | 9950433 | TIE WRAP-4" BLACK | 121 | 2074081 | BATTERY METER |
| *39 | | (INCLUDES 39-42) | 80 | 2224701 | INSERT- PLUG WHITE | | | |
| *40 | 2302010 | DRIVE HOUSING OUTPUT SHAFT | 82 | 2332102 | SCREW-10-24 X 1-3/4 PPH SS | | | |
| *41 | 2307304 | BUSHING- INNER [2.EA] | 83 | 2333101 | NUT-HEX 10-24 UNC-2B NYLOC | | | |
| *42 | 2307305 | BUSHING- OUTER [2.EA] | 84 | 2994014 | CNTRL BOARD/AP COMPASS ASSEMBLY | | | |
| | 2304603 | O-RING [2.EA] | | | | | | |

Seal & Oring Kit P/N 2889460 * This item is part of an assembly. This item cannot be sold separately due to machining and /or assembly that is required.

P/N 2304916

REV.A 7-04

