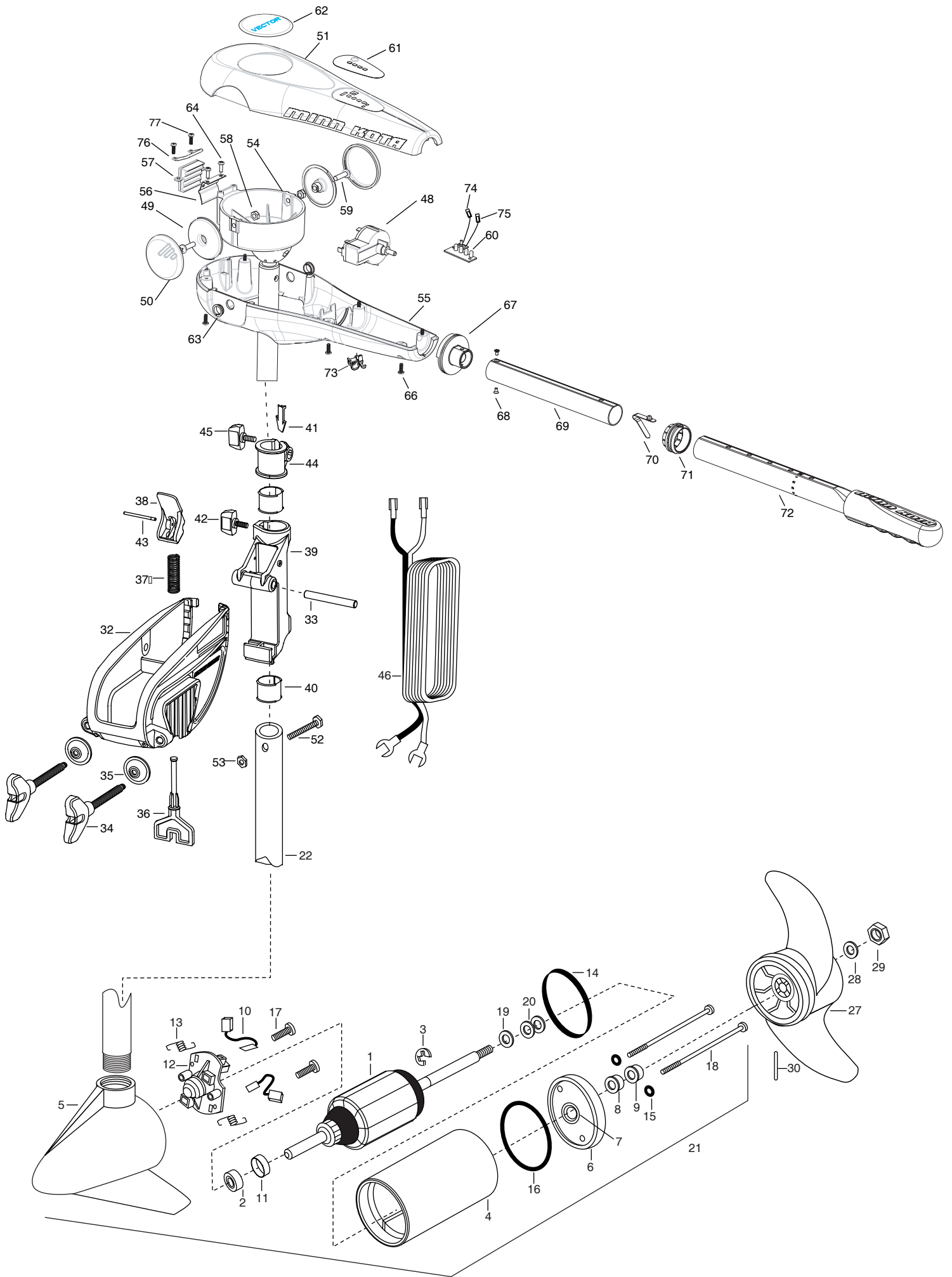


VECTOR 46
LEVER LOCK BRACKET
46LBS. THRUST
12 VOLT 42 AMPS
36" & 42" SHAFT

for use with "WWAF" serial numbers
2-year warranty from the date of purchase



1	2-100-116	ARMATURE ASSEMBLY 12V 3.625 5SPC 55#	40	2037301	BUSHING-HINGE [2.EA]
2	788-015	RETAINING RING	41	2062800	TENSION BLOCK- SNAP IN
3	140-010	BALL BEARING	42	2011385	SCREW-TENSION/NEW KNOB
4	2-200-101	CENTER HOUSING ASSEMBLY 3.625 FW TXT	43	2060515	PIN- TILT LEVER
5	2-300-196	BRUSH END HOUSING ASSEMBLY 3.62 SPCO	44	2061520	COLLAR-DEPTH ((ENDURA)
6	2-400-101	PLAIN END HOUSING ASSEMBLY	45	2011365	SCREW-COLLAR W/NEW KNOB
7	144-049	BEARING - FLANGE (SERVICE ONLY)	46	2050609	LEADWIRE 10 GA SPADE TERM
8	880-003	SEAL	48	2064023	SWITCH - 5 SPD.
9	880-006	SEAL WITH SHIELD	49	2070110	PIVOT KNOB [2 EA.]
10	188-036	BRUSH ASSEMBLY [2.EA]	50	2070115	COVER PIVOT KNOB [2 EA.]
11	725-050	BRUSH RETENTION- PAPER TUBE	51	2070211	CONTROL BOX COVER
12	738-036	BRUSH PLATE W/HOLDER	52	2033401	SCREW 10-24 X 1-3/4"
13	975-040	SPRING - TORSION [2.EA]	53	2013110	NUT-HEX ZINC/CAD PLATE
14	337-036	GASKET	54	2071520	YOKE PIVOT
15	701-008	O-RING, THRU-BOLT [2.EA]	55	2072501	CONTROL BOX
16	701-081	O-RING	56	2072705	SPRING DETENT
17	830-007	SCREW-8-32 [2.EA]	57	2072810	DETENT BLOCK, TILT
18	830-042	THRU-BOLT 10-32X8.83" [2.EA]	58	2073100	NUT- 1/4-20 NYLOC [2 EA.]
19	990-067	WASHER- STEEL THRUST	59	2073408	SCREW 1/4-20 [2 EA.]
20	990-070	WASHER - NYLATRON [2.EA]	60	2074070	BATTERY METER
21	2097061	MOTOR ASSEMBLY 12V 3.62 5 SPD F/W	61	2075601	DECAL-COVER 46T VECTOR
22	2032052	TUBE- COMPOSITE 36"	62	2075605	DECAL-COVER PLUG
	2032053	TUBE- COMPOSITE 42"	63	2077316	BUSHING PIVOT
■	1378131	PROP KIT	64	2372100	SCREW 8-18 X 1/2" [2 EA.]
27	2091160	PROP- WEEDLESS WEDGE 2	66	2012100	SCREW 8-18 X 5/8" [6 EA.]
28	2151726	WASHER- 5/15 STD SS	67	2070407	PIVOT HANDLE
29	2053101	NUT-PROP NYLOC 5/16 SS	68	2072102	SCREW #6 X 1/4"
30	2092600	PIN-DRIVE SS	69	2070425	HANDLE TUBE
■	2991815	BRACKET & HINGE ASSEMBLY RED KNOB	70	2070411	LATCH-BUTTON
■	2771910	BRACKET W/CLAMP SCREW ASSEMBLY (INCL.32,34,35)	71	2070010	BEARING
*32	2061910	BRACKET PLASTIC	72	2990941A	HANDLE ASSEMBLY-EXT.
33	2060510	PIN-HINGE- ENDURA	73	2052900	STRAIN RELIEF
*34	2061300	SCREW- CLAMP	74	2070304	WIRE BATTERY METER BLACK
*35	2011710	WASHER- CLAMP SCREW 1.5OD	75	2070305	WIRE BATTERY METER RED
■	2881300	CLAMP SCREW, WASHER, RETAINER KIT	76	2072815	BRACKET- TILT STOP
36	2063605	T-BAR PLASTIC	77	2332101	SCREW #8-32 X 1/2" SS [2 EA.]
37	2062706	SPRING- T-BAR ENDURA			
38	2067201	LEVER- TILT BLACK			
39	2061810	HINGE-PLASTIC			

