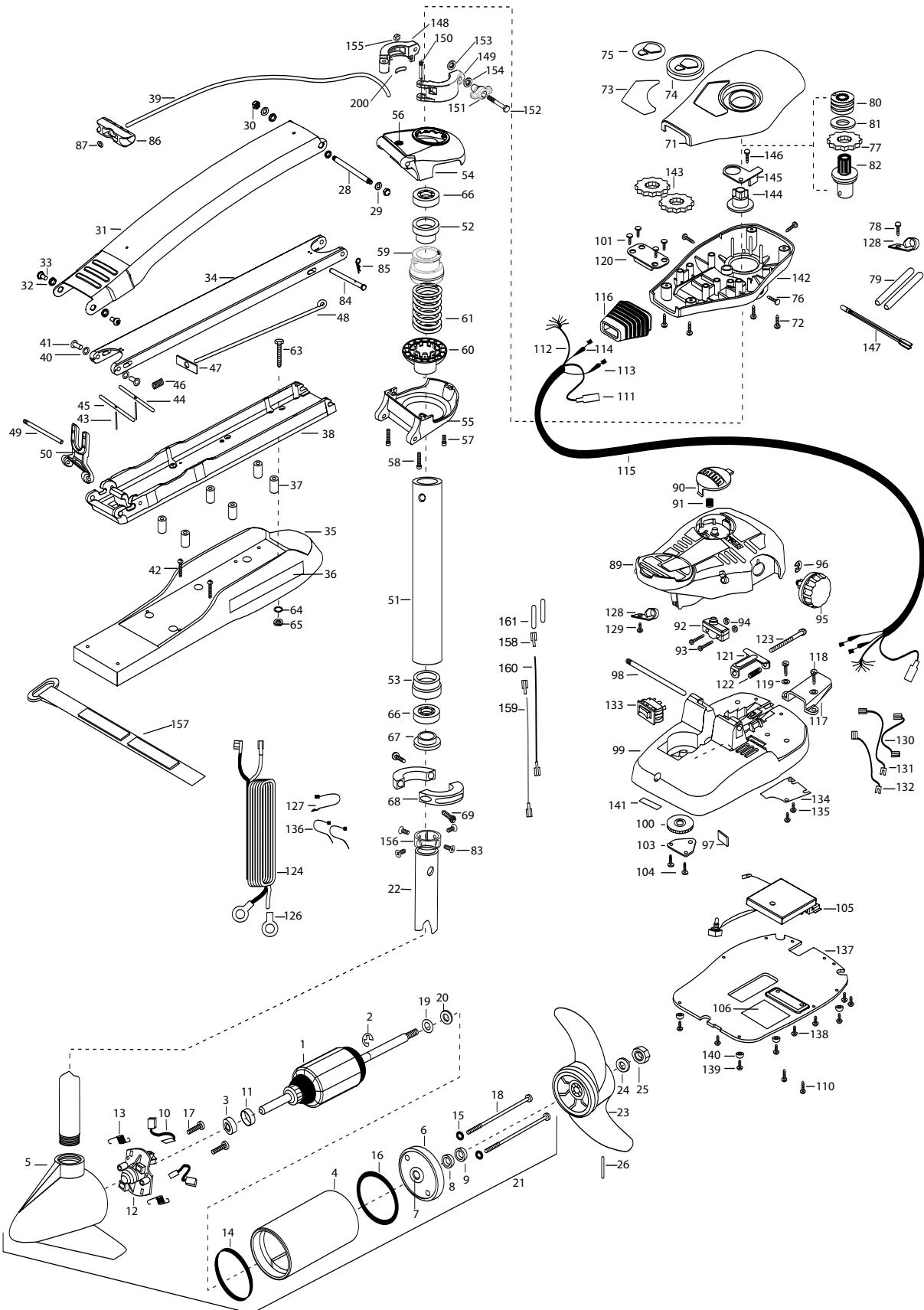


MAXXUM 70 FC
52" Shaft
70 lbs Thrust
24 Volt 42 Amps

for use with "AG" serial numbers
3-year warranty from the date of purchase



1	2-100-119	ARMATURE ASSEMBLY		2772014	TUBE W/BEARING RACE ASSEMBLY 62"	104	2301310	SCREW- 8-18 X 1/2 [4.EA]
2	788-015	RETAINING RING	51	2272067	TUBE OUTER-24" 4 HOLES 48"-52"	105	2264052	CNTROL BOARD ASSEMBLY 24V MAX65/FC
3	140-010	BALL BEARING		2272068	TUBE OUTER-34" 4 HOLES 62"	106	2365107	INSULATING PAD (2.3X3.2)
4	431-005	CENTER HOUSING ASSEMBLY	52	2266260	BEARING RACE	110	2263448	SCREW- 8-32 X 1" [2.EA]
5	9421-166	HOUSING BRUSH END 3.62 SONAR 52"	53	2266220	BEARING RACE- STEEL	111	2211400	EXTENSION CABLE- SONAR ONLY
	421-065	HOUSING BRUSH END 3.62 62"	■	2991762	BOWGUARD ASSEMBLY- FT CTRL,FW 52"	112	2261219	WIRE HARNESS AT & MAX
6	2-400-101	PLAIN END HOUSING ASSEMBLY		2991763	BOWGUARD ASSEMBLY- FT CTRL,FW 62"	113	2267505	CABLE ASSEMBLY- RIGHT (5')
7	144-049	BEARING - FLANGE (SERVICE CENTER ONLY)	54	2772319	BRACKET BASE TOP/INSERT ASSEMBLY	114	2267515	CABLE ASSEMBLY- LEFT (5')
8	880-003	**SEAL	55	2991771	BRKT BOTTOM/BEARING FW ASSEMBLY 52"	115	2265430	CABLE JACKET (5')
9	880-006	**SEAL WITH SHIELD		2991770	BRKT BOTTOM/BEARING FW ASSEMBLY 62"	116	2265110	BOOT- CONTROL BOX
10	188-036	BRUSH ASSEMBLY [2.EA]	56	2772352	EYELET- ROPE KIT	117	2265115	BOOT- FOOT PEDAL BASE
11	725-050	BRUSH RETENTION- PAPER TUBE	57	2263423	SCREW 5/16-18 X 1" SHCS ZINC	118	2372100	SCREW- 8-18X5/8 THD [2.EA]
12	738-036	BRUSH PLATE W/HOLDER	58	2263425	SCREW 5/16-18 X 2 1/2" SHCS [2.EA]	119	2261714	WASHER- MAXXUM FT PDL [2.EA]
13	975-040	SPRING - TORSION [2.EA]	59	2071541	SPRING SLEEVE- UPPER	120	2261901	BRACKET- CONDUIT
14	337-036	**GASKET	60	2071535	SPRING SLEEVE- LOWER	121	2263210	BRACKET- CONDUIT ADJUST
15	701-008	**O-RING, THRU-BOLT [2.EA]	61	2262712	SPRING- BOWGUARD, FC PAINTED	122	2262720	SPRING- CONDUIT ADJUST
16	701-081	**O-RING	■	2994830	BAG ASSEMBLY- MAXXUM	123	2266366	SCREW- 1/4-20X2" STL PPH
17	830-007	SCREW-8-32 [2.EA]	*63	2263431	SCREW- 1/4-20 X 3.5 PPH [6.EA]	124	2261227	LEADWIRE- A/T VARIABLE
18	830-008	THRU-BOLT 10-32X9.2 [2.EA]	*64	2261713	WASHER- 1/4 FLAT S/S [6.EA]	126	2020700	TERMINAL RING- 3/8" [2.EA]
19	990-067	WASHER- STEEL THRUST	*65	2263103	NUT- 1/4-20 NYLOCK-JAM SS [6.EA]	127	2256300	TIE WRAP- 5.5" BLACK
20	990-070	WASHER- NYLATRON [2.EA]	■	2994832	BAG ASSEMBLY- MAX101 62"	128	2263201	CLAMP WIRE HARNESS MICRO [2.EA]
21	2106031	MOTOR ASSEMBLY 24V F/W 52" SONAR	66	2266000	BEARING BALL- STEEL [2.EA]	129	2332103	SCREW- 6-20X3/8 THD (SS)
	2096031	MOTOR ASSEMBLY 24V F/W 52"	*67	2266115	BEARING CONE	130	2260316	CONNECTING WIRE (VAR.SPD)
22	2032006	TUBE- COMPOSITE 52" W/4 HOLE	*68	2261622	COLLAR HALF- ALUM. [2.EA]	131	2260312	WIRE- BLK W/WHT STRP 19 -1/4"
	2032005	TUBE- COMPOSITE 48" W/4 HOLE	*69	2263453	SCREW- 1/4-20X3/4 [2.EA]	132	2260323	WIRE- BLK W/GRN STP VARIABLE
■	1378131	PROPELLER KIT	71	2260283	CONTROL BOX COVER- MAXXUM	133	2254031	SWITCH- MOM/OFF/CON
23	2091160	PROPELLER W.WEDGE 2	72	2372100	SCREW- 8-18 X 5/8 THD [4.EA]	134	2266412	SWITCH PLATE- FT PEDAL
24	2151726	WASHER-5/16 SS	73	2265643	DECAL- COVER MAX70/FC	135	2332103	SCREW- 6-20X3/8 THD SS [2.EA]
25	2053101	NUT-PROP NYLOC		2265646	DECAL - COVER MAX70 /FC US	136	2256301	TIE WRAP- 5.5" WHITE [2.EA]
26	2092600	PIN-DRIVE	74	2260150	POINTER DISC TRNSLCNT RED	137	2774511	BOTTOM PLATE- MAXXUM FT
28	2262605	PIN- BWGRD UPPER THREADED ZP	75	2265800	DECAL- INDICATOR	138	2372100	SCREW-8 X 1/2" (SS) [5.EA]
29	2261722	WASHER- FLAT [2.EA]	76	2053414	SCREW- 8-32 X 1/2 TRI-LOBE [3. EA]	139	2263455	SCREW- #12-14X1/2 THR FRM [4.EA]
30	2223100	NUT- TENSION 5/16-18 SS [2.EA]	77	2267800	GEAR- INDICATOR	140	2265126	BUMPER PAD- FOOT PEDAL [4.EA]
■	2991841	MOUNT- BOW ASSY, LNG FW 52" W/O BGRD	78	2301310	SCREW- 8-18 X 1/2	141	2266610	DECAL- ON/OFF SWITCH
	2991842	MOUNT- BOW ASSY, LNG FW 62" W/O BGRD	79	2355410	SHRINK TUBE- 3/8 OD X 2" [2.EA]	142	2262535	CONTROL BOX- PLASTIC
31	2264246	ARM-UPPER LONG FW	80	2232360	PULLEY- CABLE DRUM	143	2267800	GEAR- INDICATOR [2.EA]
32	2293501	BUSHING- STAINLESS STEEL [4.EA]	81	2261730	WASHER- NYLON A/T CON	144	2262220	INDICATOR- DRIVE
33	2263500	BOLT- SHOULDER MAXXUM [2.EA]	82	2996247	TOP BEARING RACE /PINION DRIVE	145	2261905	BRACKET/INDICATOR
34	2774317	ARM-LOWER ASSEMBLY, LONG, FW, EXTRA [INCLUDES 39, 43-47, 86,87]	83	2223468	SCREW- 8-32 X 7/16 [4.EA]	146	2301310	SCREW- 8-18X1/2"
			84	2262607	PIN- CLEVIS ZP MAXXUM BWGRD	147	2264015	LIGHT/INDICATOR
35	2263913	MOTOR REST LONG FW	85	2260805	CLIP- SPRING ZP MAX BG	■	2991550	CLAMP COLLAR ASSEMBLY
36	2265514	DECAL- MAXXUM MOTOR REST [2.EA]	86	2150400	PULL- GRIP	148	2071550	CLAMP COLLAR "A"
37	2261505	SPACER- MOTOR REST [6.EA]	87	2151700	WASHER- EYE SHAFT(.562 OD)	149	2071555	CLAMP COLLAR "B"
38	2773986	BOWPLATE- W/INSERT	89	2790002	FOOT PEDAL/PLUG ASSEMBLY	150	2072621	PIN-KNURLED
39	2251601	ROPE (40"), MAXXUM MOUNT	90	2263700	PUSH- BUTTON FOOT PEDAL	151	2070120	KNOB-CLAMP COLLAR
40	2261708	WASHER- 3/8X1/2X.010 SS [2.EA]	91	2302732	SPRING- LOWER PEDAL	152	2073412	SCREW 1/4-28 X 2 3/4" SS
41	2236000	BEARING NYLINER [2.EA]	92	2264023	SWITCH- SEALED ASSEMBLY	153	2071718	WASHER #10 NYLON RETAINING
42	2263434	SCREW, 8-18X1" PPH [2.EA]	93	2262114	SCREW- MOUNTING/SWITCH [2.EA]	154	2071716	WASHER - FLAT SS
43	2152610	SPRING- PIN LOCKBAR [2.EA]	94	2233100	NUT- SWITCH MOUNT [2.EA]	155	2073102	NUT - HEX 1/4 - 28 SS
44	2233600	LOCK BAR- BOW MOUNT	95	2260160	KNOB- SPEED CONTROL (VAR)	156	2071560	SPLIT COLLAR
45	2233602	LOCK BAR REAR - ZINC	96	2263000	E-RING THU-ARC	157	2263804	STRAP - VELCRO 30.5"
46	2152700	SPRING- LOCKBAR CAD.PLTD	97	2266413	TENSION SCREW PLATE FTPEDAL	200	2075120	URETHANE PAD
47	2262703	SPRING STOP- MAXXUM	*98	2260511	PIN- PIVOT A/T FT PDL			
48	2153604	EYE SHAFT- 2LOCKBAR LG PLTD	99	2774550	FT PEDAL BASE/PIN ASSEMBLY		62" ONLY	
49	2260506	HINGE-PIN HEADLESS ZINC	100	2262301	PULLEY- FOOT PEDAL	158	2030710	CONNECTOR BUTT [2.EA]
50	2293811	YOKE- MAXXUM MOUNT,POLYPROPYLENE	101	2223430	SCREW- #8X3/4 PPH TYPE 25 SS [4.EA]	159	2030317	WIRE EXTENSION 18" RED
■	2772016	TUBE W/BEARING RACE ASSEMBLY 52"	103	2266400	COVER- PULLEY	160	2030316	WIRE EXTENSION 18" BLACK
						161	2375400	SHRINK TUBE 1/4ODX1-3/4 [2.EA]

** Seal & Oring Kit P/N 2888460

* This item is part of an assembly. This item cannot be sold separately due to machining and /or assembly that is required. P/N 2274962 REV. D 5-05

