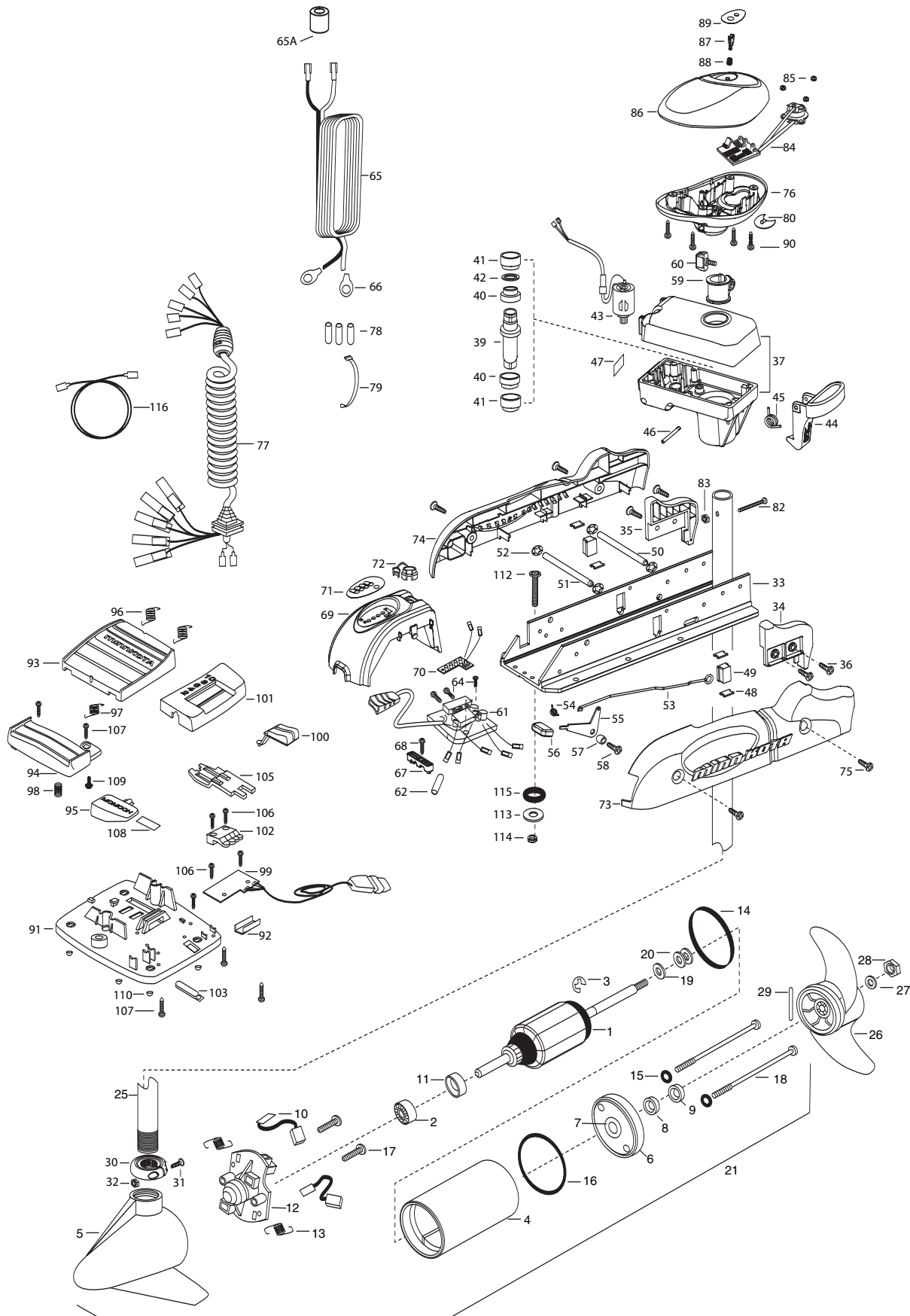


55PD/AP
55 LBS THRUST
12 VOLT 50 AMPS
54" , 48", OR 60"
SHAFT

for use with "AG" serial numbers
3-year warranty from the date of purchase



1	2-100-115	ARMATURE ASSEMBLY	■	2882011	BUSHING/ OUTSHAFT KIT				
2	140-010	BALL BEARING			(INCLUDES 39-42)		2991287	COIL CORD W STRAIN RELIEF 60"	
3	788-015	RETAINING RING	*39	2302010	DRIVE HOUSING OUTPUT SHAFT	78	2065400	WIRE INSULATOR-LGE 1-3/4 [3.EA]	
4	431-101	HOUSING ASSEMBLY CENTER 3.62 TXT	*40	2307304	BUSHING- INNER [2.EA]	79	9950433	TIE WRAP-4" BLACK	
5	421-065	HOUSING -BRUSH END 3.62 TXT	*41	2307305	BUSHING- OUTER [2.EA]	80	2224700	INSERT- PLUG	
	9421-165	HOUSING- BRUSH END 3.62 SONAR 48"	*42	2304603	O-RING	82	2332102	SCREW-10-24 X 1-3/4	
	9421-166	HOUSING- BRUSH END 3.62 SONAR 54"	43	2307045	MOTOR- DRIVE HOUSING HIGH SPD	83	2333101	NUT-HEX 10-24 NYLOC	
6	2-400-101	PLAIN END HOUSING ASSEMBLY 3.625	44	2307205	LATCH HANDLE PD/AP	84	2994014	CNTRL BRD/CMPSS ASSMBLY-AUTOPILOT	
7	144-049	BEARING - FLANGE (SERVICE ONLY)	45	2302750	SPRING- LATCH TORSION PD/AP	85	2302960	GROMMET-COMPASS [3.EA]	
8	880-003	**SEAL	46	2302607	PIN- DRIV-LOK GROOVE ZINC TYPE	86	2300235	CONTROL BOX COVER	
9	880-006	**SEAL WITH SHIELD	47	2305515	DECAL-STOW/DEPLOY	87	2304082	ACTUATOR- SWITCH ON/OFF A/P	
10	188-036	BRUSH ASSEMBLY [2.EA]	48	2305110	PAD-PIVOT SUPT [4.EA]	88	2302752	SPRING- ACTUATOR PD/AP SS	
11	725-050	BRUSH RETENTION- PAPER TUBE	49	2305103	PIVOT PAD [2.EA]	89	2305661	DECAL- COVER 55PD/AP	
12	738-036	BRUSH PLATE W/HOLDER	50	2300500	PIN-LATCH		2305682	DECAL - COVER 55PD/AP/SONAR	
13	975-040	SPRING - TORSION [2.EA]	51	2300510	PIN-PIVOT	90	2372100	SCREW-8-18 X 5/8 [4.EA]	
14	337-036	**GASKET	52	2013100	NUT-SPEED [4.EA]	■	2774700	FOOT PEDAL ASSEMBLY	
15	701-008	**O-RING, THRU-BOLT [2.EA]	53	2303612	ROD-RELEASE RT/AP SS	91	2304511	FOOT PEDAL BASE	
16	701-081	**O-RING	54	2302700	SPRING-RELEASE LEVER	92	2308500	WEAR PLATE FOOT PDL	
17	830-007	SCREW-8-32 [2.EA]	55	2303710	LEVER-RELEASE	93	2304516	FOOT PEDAL-UPPER	
18	830-042	THRU-BOLT 10-32X8.83 [2.EA]	56	2300101	RELEASE-KNOB	94	2304520	FOOT PEDAL-LOWER	
19	990-067	WASHER- STEEL THRUST	57	2301700	SPACER-RELEASE LEVER	95	2307210	LEVER MOM/CON-	
20	990-070	WASHER - NYLATRON [2.EA]	58	2303430	SCREW-1/4-20 X 5/8	96	2302730	SPRING-LONG-UPPER PEDAL [2.EA]	
21	2097094	MOTOR ASSEMBLY 12V 3.62 VARS F/W	59	2031522	COLLAR- DRIVE (W/INSERT)	97	2302731	SPRING-SHORT-UPPER PEDAL	
	2107090	MOTOR ASMBLY-SONAR 12V 3.62 VARS 48"	60	2011365	SCREW-COLLAR/NEW KNOB	98	2302732	SPRING-LOWER PEDAL	
	2107091	MOTOR ASMBLY-SONAR 12V 3.62 VARS 54"	61	2304041	CONTROL BOARD ASSEMBLY- 12V PD/AP	99	2304012	CONTROL BOARD ASSEMBLY-FT PDL	
25	2032076	TUBE- COMPOSITE 54"	62	2355410	SHRINK TUBE-1/2 ODX2	100	2300120	KNOB-SPEED SELECTOR	
	2032075	TUBE- COMPOSITE 48"	64	2332100	SCREW-8-32 X 3/8 [3.EA]	101	2300121	HOUSING SPEED SELECTOR	
	2032077	TUBE - COMPOSITE 60"	65	2090601	LEADWIRE IOGA 44"	102	2302840	ACTUATOR-BOARD	
■	1378131	PROPELLER KIT	65A	2307310	BEAD - FERRITE (CE MODELS ONLY)	103	2302841	ACTUATOR-MOM/CON	
26	2091160	PROPELLER W/WEDGE 2	66	2020700	TERMINAL RING [2.EA]	105	2302842	ACTUATOR-STEERING	
27	2151726	WASHER-5/16 SS	67	2222906	STRAIN RELIEF- BRACKET PD/AP	106	2302100	SCREW-6-20 X 1/2 [5.EA]	
28	2053101	NUT-PROP NYLOC	68	2303430	SCREW-1/4-20 X 5/8	107	2372100	SCREW-8-18 X 5/8 [5.EA]	
29	2092600	PIN-DRIVE	69	2306555	HOUSING- CENTER PD/AP	108	2266610	DECAL-ON/OFF SWITCH	
30	2301545	COLLAR- LATCH PD/AP	70	2034025	BATTERY GAUGE - 12 VOLT	109	2335130	BUMPER ACTUATOR	
31	2303434	SCREW- 8-32X5/8 MACH PHCR	71	2306609	DECAL, BATTERY GAUGE	110	2994807	BAG ASSEMBLY- 4 RUBBER BUMPERS	
32	2303112	NUT 8-32 NYLOC SS	72	2302935	STRAIN RELIEF-DR. HOUSING	■	2994803	BAG ASSEMBLY- (BOLT,NUT,WASHERS)	
33	2301932	EXTRUSION- BASE MACHINED	73	2303941	SIDEPLATE (RIGHT)	*112	2153501	BOLT-MOUNTING-3500 W/STG [4.EA]	
34	2303932	MOTOR REST- RIGHT LARGE	74	2303946	SIDEPLATE(LEFT)	*113	2151726	WASHER-5/16 [4.EA]	
35	2303937	MOTOR REST- LEFT LARGE	75	2303430	SCREW-1/4-20 X 5/8- [4.EA]	*114	2153100	NUT-5/16-18 MOUNTING [4.EA]	
36	2303430	SCREW 1/4-20X5/8 SELF TAP [4.EA]	76	2772515	CONTROL BOX / DECAL ASSEMBLY	*115	2301720	WASHER-MOUNTING RUBBER [6.EA]	
37	2301845	DRIVE HOUSING PD/AP 2001	77	2991285	COIL CORD W/STRAIN RELIEF 48"/54"	116	2211405	EXTENSION CABLE- SONAR	

** Seal & Oring Kit P/N 2888460

* This item is part of an assembly. This item cannot be sold separately due to machining and /or assembly that is required.

P/N 2304917

REV.C 7-05

