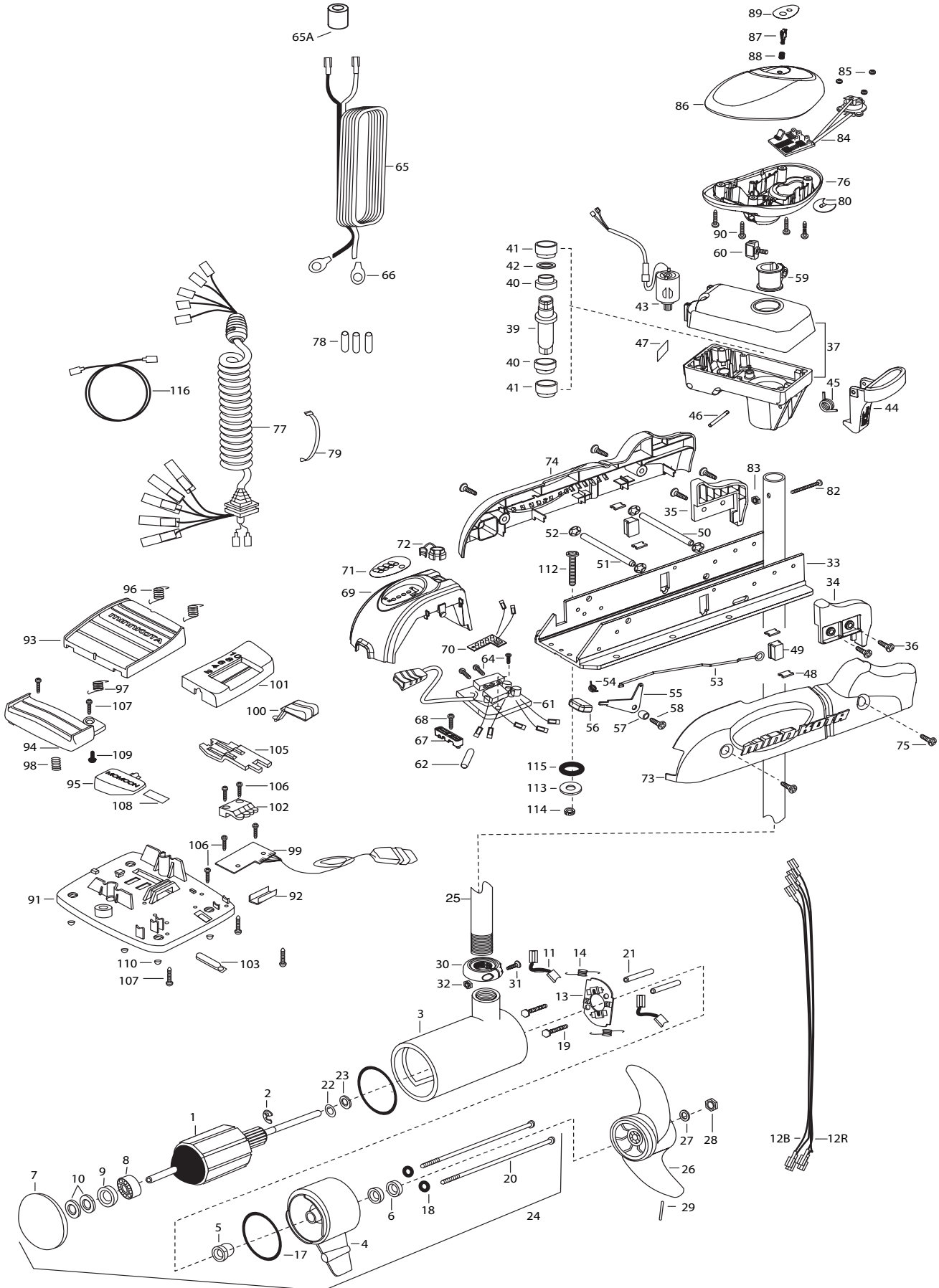


80PD/AP
 80LBS THRUST
 24 VOLT 56 AMPS
 54" OR 60" SHAFT

for use with "AG" serial numbers
 3-year warranty from the date of purchase



1	2-100-214	ARMATURE ASSEMBLY 24V 4"	■	2882011	BUSHING/ OUTSHAFT KIT	80	2224702	INSERT- PLUG
2	788-040	RETAINING RING			(INCLUDES 39-42)		2224700	INSERT - PLUG SONAR
3	2-200-110	CENTER HOUSING ASSEMBLY 4.0 TXT	*39	2302010	DRIVE HOUSING OUTPUT SHAFT	82	2332102	SCREW-10-24 X 1-3/4
	2-200-170	CENTER HOUSING ASSEMBLY 4.0- SONAR	*40	2307304	BUSHING- INNER [2.EA]	83	2333101	NUT-HEX 10-24 NYLOC
4	2-300-160	BRUSH END HOUSING ASSEMBLY	*41	2307305	BUSHING- OUTER [2.EA]	84	2994014	CNTRL BRD/CMPS ASSMBLY-AUTOPILOT
5	144-017	BEARING- FLANGE (SERVICE ONLY)	*42	2304603	O-RING	85	2302960	GROMMET-COMPASS [3.EA]
6	880-025	**SEAL [2.EA]	43	2307050	MOTOR- DRIVE HOUSING HIGH SPD	86	2300235	CONTROL BOX COVER
7	421-276	PLAIN END HOUSING ASSEMBLY	44	2307215	LATCH HANDLE PD/AP	87	2304082	ACTUATOR- SWITCH ON/OFF A/P
	9421-277 / 9421-278	54"/60" PLAIN END HOUSING ASSEMBLY SONAR	45	2302750	SPRING- LATCH TORSION PD/AP	88	2302752	SPRING- ACTUATOR PD/AP SS
8	140-010	BALL BEARING	46	2302625	ROLL PIN 3/16 X 2"	89	2305678	DECAL- COVER ON/OFF 80PD/AP
9	990-045	THRUST SPACER	47	2305515	DECAL-STOW/DEPLOY		2305679	DECAL- COVER ON/OFF 80 PD/AP/US
10	992-010	SPRING WASHER [2.EA]	48	2305110	PAD-PIVOT SUPT [4.EA]	90	2372100	SCREW-8-18 X 5/8 [5.EA]
11	186-094	BRUSH [2.EA]	49	2305103	PIVOT PAD [2.EA]	■	2774700	FOOT PEDAL ASSEMBLY
12B	640-024	LEADWIRE-BLACK 10 AWG 79"	50	2300500	PIN-LATCH	91	2304511	FOOT PEDAL BASE
12R	640-131	LEADWIRE-RED 10 AWG 80 1/2"	51	2300510	PIN-PIVOT	92	2308500	WEAR PLATE FOOT PDL
13	738-040	BRUSH PLATE 4"	52	2013100	NUT-SPEED [4.EA]	93	2304516	FOOT PEDAL-UPPER
14	975-041	SPRING- TORSION [2.EA]	53	2303612	ROD-RELEASE RT/AP SS	94	2304520	FOOT PEDAL-LOWER
17	701-009	**O-RING —THRU BOLT [2.EA]	54	2302700	SPRING-RELEASE LEVER	95	2307210	LEVER MOM/CON-
18	701-043	**O-RING [2.EA]	55	2303710	LEVER-RELEASE	96	2302730	SPRING-LONG-UPPER PEDAL [2.EA]
19	830-027	SCREW -SELF THREAD 10-32X2 [2.EA]	56	2300101	RELEASE-KNOB	97	2302731	SPRING-SHORT-UPPER PEDAL
20	830-094	THRU BOLT 12-24X10.31 [2.EA]	57	2301700	SPACER-RELEASE LEVER	98	2302732	SPRING-LOWER PEDAL
21	973-025	SPACER- BRUSH PLATE [2.EA]	58	2303430	SCREW-1/4-20 X 5/8	99	2304012	CONTROL BOARD ASSEMBLY-FT PDL
22	990-051	WASHER- STEEL	59	2031522	COLLAR- DRIVE (W/INSERT)	100	2300120	KNOB-SPEED SELECTOR
23	990-052	WASHER- NYLATRON	60	2011365	SCREW-COLLAR/NEW KNOB	101	2300121	HOUSING SPEED SELECTOR
24	2316217	MOTOR ASSEMBLY 24V 4" VARS 54"	61	2304045	CTRL BOARD ASSEMBLY-24V PD/AP	102	2302840	ACTUATOR-BOARD
	2316229	MOTOR ASSEMBLY 24V 4" VARS 60"	62	2355410	SHRINK TUBE-1/2 ODX2	103	2302841	ACTUATOR-MOM/CON
	2326213	MOTOR ASSEMBLY-SONAR 24V VARS 54"	64	2332100	SCREW-8-32 X 3/8 [3.EA]	105	2302842	ACTUATOR-STEERING
	2326218	MOTOR ASSEMBLY-SONAR 24V VARS 60"	65	2090651	LEADWIRE IOGA	106	2302100	SCREW-6-20 X 1/2 [5.EA]
25	2032078	TUBE- COMPOSITE 54"	65A	2307310	BEAD - FERRITE [2 EA] (CE MODELS ONLY)	107	2372100	SCREW-8-18 X 5/8 [5.EA]
	2032079	TUBE- COMPOSITE 60"	66	2020700	TERMINAL RING [2.EA]	108	2266610	DECAL-ON/OFF SWITCH
■	1378132	PROPELLER KIT	67	2222906	STRAIN RELIEF- BRACKET PD/AP	109	2335130	BUMPER ACTUATOR
26	2331160	PROPELLER W/WEDGE 2	68	2303430	SCREW-1/4-20 X 5/8	110	2994807	BAG ASSEMBLY- 4 RUBBER BUMPERS
27	2091701	WASHER-5/16 SS	69	2306555	HOUSING- CENTER PD/AP	■	2994803	BAG ASSEMBLY- (BOLT,NUT,WASHERS)
28	2093101	NUT-PROP NYLOC	70	2034026	BATTERY GAUGE - 24 VOLT	*112	2153501	BOLT-MOUNTING-3500 W/STG [4.EA]
29	2262658	PIN-DRIVE	71	2306609	DECAL, BATTERY GAUGE	*113	2151726	WASHER-5/16 [4.EA]
30	2301545	COLLAR- LATCH PD/AP	72	2302935	STRAIN RELIEF-DR. HOUSING	*114	2153100	NUT-5/16-8 MOUNTING [4.EA]
31	2303434	SCREW- 8-32X5/8 MACH PHCR	73	2303941	SIDEPLATE (RIGHT)	*115	2301720	WASHER-MOUNTING RUBBER [6.EA]
32	2303112	NUT 8-32 NYLOC SS	74	2303946	SIDEPLATE(LEFT)	116	2211405	EXTENSION CABLE- SONAR
33	2301932	EXTRUSION- BASE MACHINED	75	2303430	SCREW-1/4-20 X 5/8- [4.EA]			
34	2303933	MOTOR REST- RIGHT 4"	76	2772515	CONTROL BOX / DECAL ASSEMBLY			
35	2303938	MOTOR REST- LEFT 4"	77	2991285	COIL CORD W/STRAIN RELEIF 54"			
36	2303430	SCREW 1/4-20X5/8 SELF TAP [4.EA]		2991287	COIL CORD W/STRAIN RELEIF 60"			
37	2991835	DRIVE HOUSING PD/AP 2001	78	2065400	WIRE INSULATOR-LGE 1-3/4 [3.EA]			
			79	9950433	TIE WRAP-4" BLACK			

** Seal & Oring Kit P/N 2889460

* This item is part of an assembly. This item cannot be sold separately due to machining and /or assembly that is required.

P/N 2304915

REV. E 7-05

