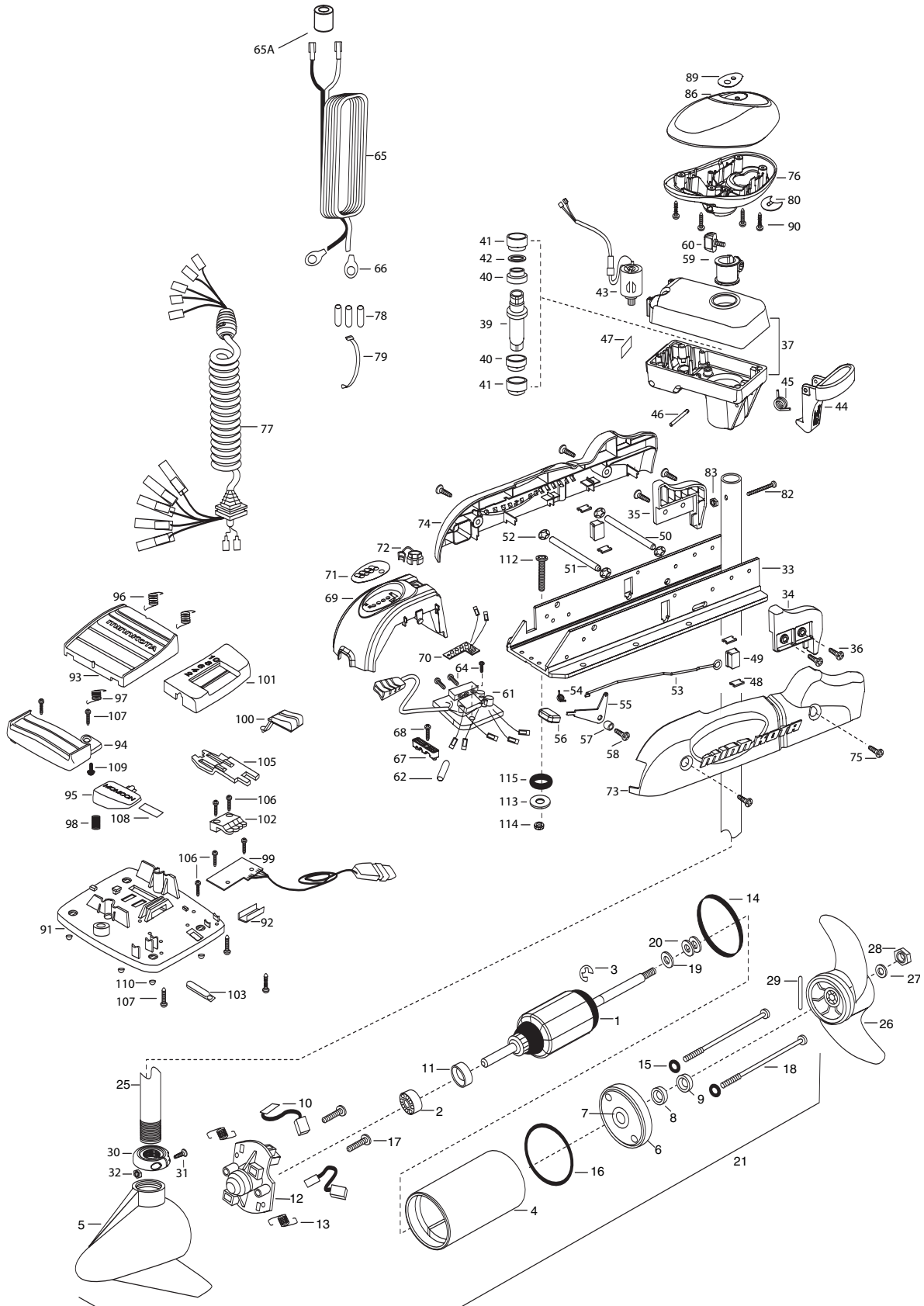


55PD
55 LBS THRUST
12 VOLT 50 AMPS
60" OR 54" OR 48" SHAFT

for use with "AG" serial numbers
plain PD models have a 2-year warranty from the date of purchase
Universal Sonar models have a 3-year warranty from the date of purchase



1	2-100-115	ARMATURE ASSEMBLY 12V VARS TXT	37	2301845	DRIVE HOUSING PD/AP 2001	76	2302515	CONTROL BOX PD/AP
2	140-010	BALL BEARING	■	2882011	BUSHING/ OUTSHAFT KIT (INCLUDES 39-42)	77	2991280	COIL CORD WSTRAIN RELIEF 48"/54"
3	788-015	RETAINING RING					2991282	COIL CORD WSTRAIN RELIEF 60"
4	431-101	HOUSING ASSEMBLY CENTER 3.62 TXT	*39	2302010	DRIVE HOUSING OUTPUT SHAFT			
5	421-065	HOUSING -BRUSH END 3.62 TXT	*40	2307304	BUSHING- INNER [2.EA]	78	2065400	WIRE INSULATOR-LGE 1-3/4 [3.EA]
	9421-165	HOUSING BRUSH END 3.62 SONAR 48"	*41	2307305	BUSHING- OUTER [2.EA]	79	2256300	TIE WRAP-5" BLACK
	9421-166	HOUSING BRUSH END 3.62 SONAR 54"/60"	*42	2304603	O-RING	80	2224700	INSERT- PLUG
6	2-400-101	PLAIN END HOUSING ASSEMBLY 3.625	43	2307045	MOTOR- DRIVE HOUSING HIGH SPD	82	2033400	SCREW-10-24 X 1-3/4 PPH Z/P
7	144-049	BEARING - FLANGE (SERVICE ONLY)	44	2307205	LATCH HANDLE PD/AP	83	2013110	NUT-HEX 10-24 ZCP
8	880-003	**SEAL	45	2302750	SPRING- LATCH TORSION PD/AP	86	2300235	CONTROL BOX COVER- POWERDRIVE
9	880-006	**SEAL WITH SHIELD	46	2302607	PIN- DRIV-LOK GROOVE ZINC TYPE	89	2315661	DECAL- COVER 55PD
10	188-036	BRUSH ASSEMBLY [2.EA]	47	2305515	DECAL-STOW/DEPLOY		2315674	DECAL - COVER 55 PD / US
11	725-050	BRUSH RETENTION- PAPER TUBE	48	2305110	PAD-PIVOT SUPT [4.EA]	90	2012100	SCREW-8-18 X 5/8 THD CUT [4.EA]
12	738-036	BRUSH PLATE W/HOLDER	49	2305103	PIVOT PAD- NEW MTR'L [2.EA]	■	2774700	FOOT PEDAL ASSEMBLY
13	975-040	SPRING - TORSION [2.EA]	50	2300500	PIN-LATCH	91	2304511	FOOT PEDAL BASE
14	337-036	**GASKET	51	2300510	PIN-PIVOT	92	2308500	WEAR PLATE FOOT PDL
15	701-008	**O-RING, THRU-BOLT [2.EA]	52	2013100	NUT-SPEED [4.EA]	93	2304516	FOOT PEDAL-UPPER
16	701-081	**O-RING	53	2303612	ROD-RELEASE RT/AP S	94	2304520	FOOT PEDAL-LOWER
17	830-007	SCREW-8-32 [2.EA]	54	2302700	SPRING-RELEASE LEVER	95	2307210	LEVER MOM/CON-
18	830-042	THRU-BOLT 10-32X8.83 [2.EA]	55	2303710	LEVER-RELEASE	96	2302730	SPRING-LONG-UPPER PEDAL [2.EA]
19	990-067	WASHER- STEEL THRUST	56	2300101	RELEASE-KNOB	97	2302731	SPRING-SHORT-UPPER PEDAL
20	990-070	WASHER - NYLATRON [2.EA]	57	2301700	SPACER-RELEASE LEVER	98	2302732	SPRING-LOWER PEDAL
21	2097094	MOTOR ASSEMBLY 12V 3.62	58	2303430	SCREW-1/4-20 X 5/8	99	2304012	CONTROL BOARD ASSEMBLY-FT PDL
	2107090	MOTOR ASSEMBLY-SONAR 12V 3.62 VARS 48"	59	2031522	COLLAR- DRIVE (W/INSERT)	100	2300120	KNOB-SPEED SELECTOR
	2107091	MOTOR ASSEMBLY-SONAR 12V 3.62 VARS 54"	60	2011365	SCREW-COLLAR/NEW KNOB	101	2300121	HOUSING SPEED SELECTOR
25	2032076	TUBE-CARBON COMPOSITE 54"	61	2304041	CONTROL BOARD ASSEMBLY- 12V PD/AP	102	2302840	ACTUATOR-BOARD
	2032075	TUBE-CARBON COMPOSITE 48"	62	2355410	SHRINK TUBE-3/8 ODX2	103	2302841	ACTUATOR-MOM/CON
	2032077	TUBE-CARBON COMPOSITE 60"	64	2332100	SCREW-8-32 X 3/8 [3.EA]	105	2302842	ACTUATOR-STEERING
■	1378131	PROPELLER KIT	65	2090601	LEADWIRE IOGA 44"	106	2302100	SCREW-6-20 X 1/2 [5.EA]
26	2091160	PROPELLER W/WEDGE 2	65A	2307310	BEAD - FERRITE (CE MODELS ONLY)	107	2372100	SCREW-8-18 X 5/8 [5.EA]
27	2151726	WASHER-5/16 SS	66	2020700	TERMINAL RING [2.EA]	108	2266610	DECAL-ON/OFF SWITCH
28	2053101	NUT-PROP NYLOC	67	2222906	STRAIN RELIEF- BRACKET PD/AP	109	2335130	BUMPER ACTUATOR
29	2092600	PIN-DRIVE	68	2303430	SCREW-1/4-20 X 5/8	110	2994807	BAG ASSEMBLY- 4 RUBBER BUMPERS
30	2301545	COLLAR- LATCH PD/AP	69	2306555	HOUSING- CENTER PD/AP	■	2994803	BAG ASSEMBLY- (BOLT,NUT,WASHERS)
31	2303434	SCREW- 8-32X5/8 MACH PHCR	70	2034025	BATTERY GAUGE - 12 VOLT	*112	2153501	BOLT-MOUNTING-3500 W/STG [4.EA]
32	2303112	NUT 8-32 NYLOC SS	71	2306609	DECAL, BATTERY GAUGE	*113	2151726	WASHER-5/16 [4.EA]
33	2301932	EXTRUSION- BASE MACHINED	72	2302935	STRAIN RELIEF-DR. HOUSING	*114	2153100	NUT-5/16-18 MOUNTING [4.EA]
34	2303932	MOTOR REST- RIGHT LARGE 3-5/8	73	2303941	SIDEPLATE (RIGHT)PD MK	*115	2301720	WASHER-MOUNTING RUBBER [6.EA]
35	2303937	MOTOR REST- LEFT LARGE 3-5/8	74	2303946	SIDEPLATE(LEFT)PD MK	116	2211405	EXTENSION CABLE- SONAR
36	2303430	SCREW 1/4-20X5/8 SELF TAP [4.EA]	75	2303430	SCREW-1/4-20 X 5/8- [4.EA]			

** Seal & Oring Kit P/N 2888460 * This item is part of an assembly. This item cannot be sold separately due to machining and /or assembly that is required.

P/N 2314935

REV.C 7-05

