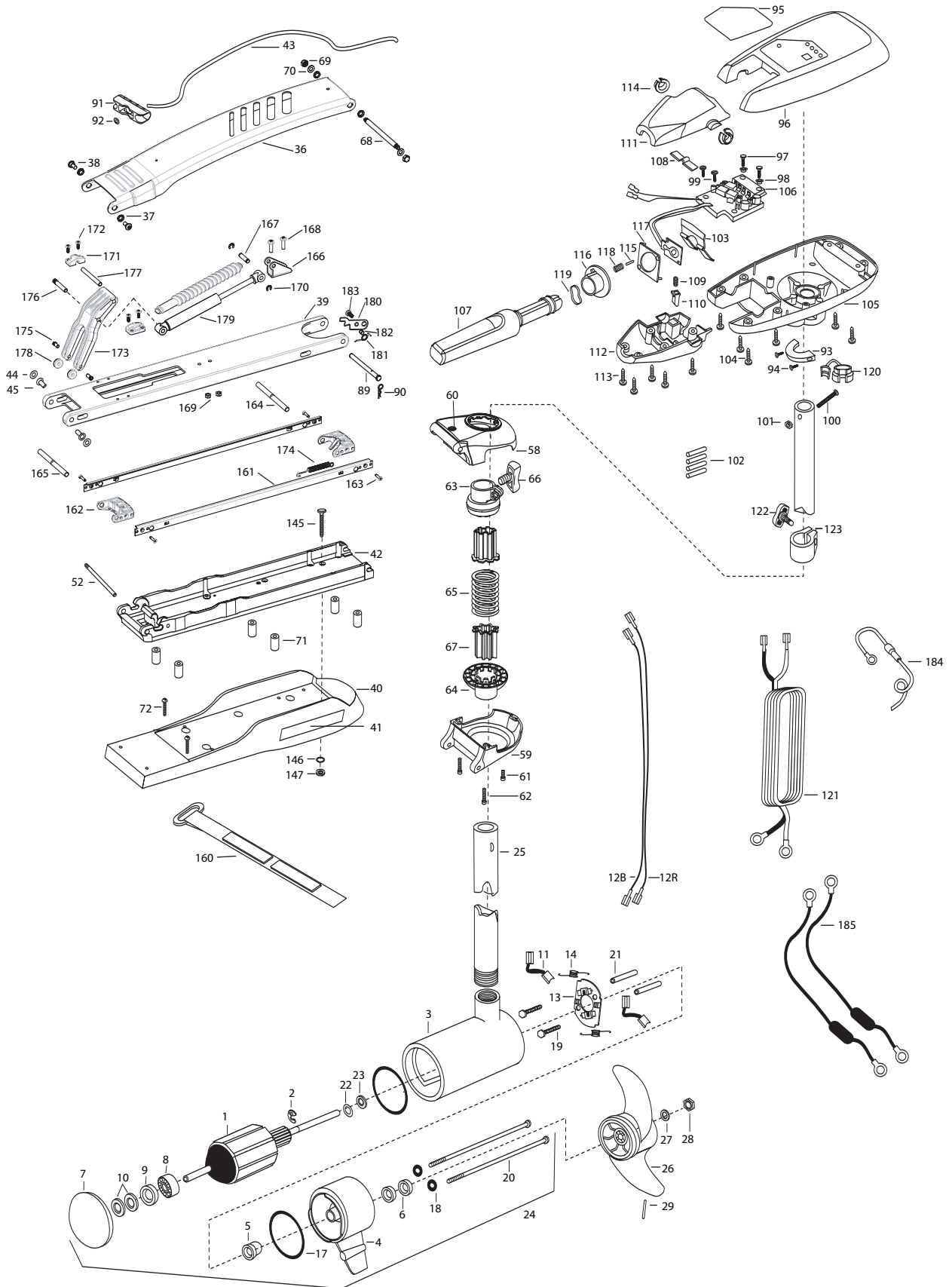


**RIPTIDE PRO 101**  
101 lbs Thrust  
36 volt 46 amps  
52" & 62" SHAFT

for use with "AG" serial numbers  
3-year warranty from the date of purchase



|     |           |  |     |         |                                    |      |         |                                   |
|-----|-----------|--|-----|---------|------------------------------------|------|---------|-----------------------------------|
| 1   | 2-100-216 | ARMATURE ASSEMBLY 36V 4"                 | 58  | 2772318 | BRACKET BASE TOP/EYELET ASSEMBLY   | 122  | 2011366 | SCREW- COLLAR/NEW KNOB SS         |
| 2   | 788-040   | RETAINING RING                           | 59  | 2991772 | BRKT BOTTOM/BEARING SW ASSEMBLY    | 123  | 2031520 | COLLAR- DEPTH (W/O INSERT)        |
| 3   | 2-200-310 | CENTER HOUSING ASSEMBLY 4.0 TXT          | 60  | 2772352 | EYELET KIT -ROPE                   | ■    | 2994830 | BAG ASSEMBLY-MAXXUM               |
| 4   | 2-300-340 | BRUSH END HOUSING ASSEMBLY               | 61  | 2263422 | SCREW 5/16-18 X 1 SHCS SS          | *145 | 2263431 | SCREW 1/4-20 X 3.5 PPH [6.EA]     |
| 5   | 144-017   | BEARING- FLANGE (SERVICE ONLY)           | 62  | 2263424 | SCREW 5/16-18 X 2-1/2 SHCS [2.EA]  | *146 | 2261713 | WASHER-1/4 FLAT S/S [6.EA]        |
| 6   | 880-025   | **SEAL [2.EA]                            | 63  | 2261525 | SPRING-SLEEVE UPPER                | *147 | 2263103 | NUT-1/4-20 NYLOCK-JAM [6.EA]      |
| 7   | 421-376   | PLAIN END HOUSING ASSEMBLY               | 64  | 2261535 | SPRING SLEEVE, LOWER               | 160  | 2263804 | STRAP - VELCRO 30.5"              |
| 8   | 140-010   | BALL BEARING                             | 65  | 2262705 | SPRING, BOWGUARD, HC               | 161  | 2263615 | TIE RAIL LONG [2 EA.]             |
| 9   | 990-045   | THRUST SPACER                            | 66  | 2011366 | SCREW-COLLAR SS                    |      | 2263610 | TIE RAIL SHORT [2 EA.]            |
| 10  | 992-010   | SPRING WASHER [2.EA]                     | 67  | 2264702 | INSERT-TUBE [2 EA.]                | 162  | 2262645 | LATCH PIN HOLDER [2 EA.]          |
| 11  | 186-094   | BRUSH [2.EA]                             | 68  | 2262604 | PIN- THREADED SS                   | 163  | 2263456 | SCREW #8 - 3/4" BTFH SS [4 EA.]   |
| 12B | 640-018   | LEADWIRE-BLACK 10 AWG 62 1/2"            | 69  | 2223100 | NUT - NYLOC SS [2.EA]              | 164  | 2262661 | LATCH PIN, GROOVED FRONT SS       |
| 12R | 640-123   | LEADWIRE-RED 10 AWG 64"                  | 70  | 2261722 | WASHER SS [2.EA]                   | 165  | 2262663 | LATCH PIN, GROOVED REAR SS        |
| 13  | 738-004   | BRUSH PLATE 4"                           | ■   | 2994832 | BAG ASSEMBLY                       | 166  | 2261990 | BRACKET, CYLINDER FRONT           |
| 14  | 975-041   | SPRING- TORSION [2.EA]                   | *71 | 2261505 | SPACER, MOTOR REST [6.EA]          | 167  | 2262665 | PIN, 2 E-CLIP, SS                 |
| 17  | 701-009   | **O-RING —THRU BOLT [2.EA]               | *72 | 2263434 | SCREW, 8-18 X 1 PPH SS [2.EA]      | 168  | 2332104 | SCREW 1/4-20 X 5/8" PH SS [2 EA.] |
| 18  | 701-043   | **O-RING [2.EA]                          | 89  | 2262606 | PIN- CLEVIS SS                     | 169  | 2073100 | 1/4-20" NUT SS [2 EA.]            |
| 19  | 830-027   | SCREW -SELF THREAD 10-32X2 1/4" [2.EA]   | 90  | 2260806 | SPRING CLIP SS                     | 170  | 2263006 | E-CLIP [2 EA.]                    |
| 20  | 830-096   | THRU BOLT 12-24X11.56 [2.EA]             | 91  | 2150400 | PULL-GRIP                          | 171  | 2261995 | BRACKET REAR [2 EA.]              |
| 21  | 973-025   | SPACER- BRUSH PLATE [2.EA]               | 92  | 2151700 | WASHER-EYE SHAFT .562 OD           | 172  | 2223454 | SCREW #10-32 X 1/2" PH SS [4 EA.] |
| 22  | 990-051   | WASHER- STEEL                            | 93  | 2061517 | COLLAR- CTRL BOX SW WHITE          | 173  | 2261545 | YOKE-GAS ASSIST                   |
| 23  | 990-052   | WASHER- NYLATRON                         | 94  | 2263434 | SCREW, 8-18 X 1 PPH SS [2.EA]      | 174  | 2262722 | SPRING EXTENSION                  |
| 24  | 2316288   | MOTOR ASSEMBLY 36V 4" VARS 52"/62" WHITE | 95  | 2195651 | DECAL- COVER RT80 PRO /B/HC        | 175  | 2262635 | PIN ROLLER SS [2 EA.]             |
| 25  | 2032085   | TUBE COMP WHITE 62"                      | 96  | 2300219 | COVER- CONTROL BOX RIPTIDE WHITE   | 176  | 2262667 | PIN-KNURLED SS                    |
|     | 2032034   | TUBE COMP WHITE 52"                      | 97  | 2301310 | SCREW- #8-18 X1/2 SS [2.EA]        | 177  | 2262669 | PIN-YOKE PIVOT SS                 |
| ■   | 1378132   | PROPELLER KIT                            | 98  | 2301710 | WASHER- INSUL. (TRANSFBAR) [2.EA]  | 178  | 2262320 | ROLLER YOKE [2 EA.]               |
| 26  | 2331160   | PROPELLER W.WEDGE 2                      | 99  | 2372100 | SCREW- #8-18X5/8 THD SS [2.EA]     | 179  | 2998431 | CYLINDER/SHOCK BOOT ASSEMBLY 62"  |
| 27  | 2091701   | WASHER-PROP LARGE                        | 100 | 2263406 | SCREW- #10-24 2 SS                 |      | 2998429 | CYLINDER /SHOCK BOOT ASSEMBLY 52" |
| 28  | 2198401   | ANODE                                    | 101 | 2333101 | NUT- HEX #10-24 UNC NYLOCK SS      | 180  | 2262670 | LATCH PIN STOP LEVER              |
| 29  | 2262658   | PIN-DRIVE SS                             | 102 | 2305401 | SHRINK TUBE- .374 X 1.50 [4 EA.]   | 181  | 2262723 | SPRING, MAXXUM PRO                |
| ■   | 2991745   | MOUNT,BOW ASSEMBLY, SW 62"               | 103 | 2302743 | SPRING- DETENT (HANDLE-TILT)       | 182  | 2301700 | SPACER-RELEASE LEVER BRASS        |
|     | 2991744   | MOUNT,BOW ASSEMBLY, SW 52"               | 104 | 2303412 | SCREW- #6-20 X 5/8 SELF TAP [5.EA] | 183  | 2332104 | SCREW 1/4-20 X 5/8" SS            |
| 36  | 2264256   | ARM UPPER-SW LONG 62"                    | 105 | 2062596 | CONTROL BOX- SW WHT                | 184  | 2998200 | CIRCUIT BREAKER ASEMBLY           |
|     | 2264251   | ARM UPPER-SW STD. 52"                    | 106 | 2264013 | CONTROL BOARD ASSEMBLY SW (HC)     | 185  | 2340610 | CONNECTOR CABLE [2 EA.]           |
| 37  | 2293501   | BUSHING, STAINLESS STEEL [4.EA]          | 107 | 2990915 | HANDLE ASSEMBLY W/O U- JOINT       |      |         |                                   |
| 38  | 2263500   | BOLT, SHOULDER MAXXUM [2.EA]             | 108 | 2302742 | SPRING- DETENT (OFF) SS            |      |         |                                   |
| 39  | 2264336   | ARM-LOWER GAS ASSIST,LG,SW, 62"          | 109 | 2302745 | SPRING- RELEASE BUTTON SS          |      |         |                                   |
|     | 2264331   | ARM-LOWER GAS ASSIST, STD, SW, 52"       | 110 | 2303720 | RELEASE BUTTON- HANDLE             |      |         |                                   |
| 40  | 2263915   | MOTOR REST LONG MAXXUM RT PRO 62"        | 111 | 2060411 | HANDLE TOP HALF- MAXIMIZE          |      |         |                                   |
|     | 2263914   | MOTOR REST STD. MAXXUM RT PRO 52"        | 112 | 2060415 | HANDLE LOWER HALF                  |      |         |                                   |
| 41  | 2195530   | DECAL-MAXXUM RT PRO,MOTOR REST [2.EA]    | 113 | 2303412 | SCREW - 6-20 X 5/8 SELF TAP [5.EA] |      |         |                                   |
| 42  | 2993982   | BOWPLATE- SW LG MACH/INSERT, 62"         | 114 | 2060005 | BEARING- HANDLE PIVOT [2.EA]       |      |         |                                   |
|     | 2993983   | BOWPLATE - SW STD. MACH/INSERT 52"       | 115 | 2302600 | PIN- ACTUATOR                      |      |         |                                   |
| 43  | 2251601   | ROPE 40" MAXXUM MOUNT                    | 116 | 2302850 | ACTUATOR- CAM                      |      |         |                                   |
| 44  | 2261708   | WASHER-3/8X1/2X.010 SS [2.EA]            | 117 | 2302851 | ACTUATOR- FWD/REV                  |      |         |                                   |
|     |           | [62" MODELS ONLY]                        | 118 | 2302740 | SPRING- ACTUATOR                   |      |         |                                   |
| 45  | 2236000   | BEARING NYLINER- [2.EA]                  | 119 | 2302741 | SPRING- CAM (ZNC PLT STEEL)        |      |         |                                   |
| 52  | 2260505   | HINGE-PIN HEADLESS SS                    | 120 | 2052900 | STRAIN RELIEF- C.CORD/C            |      |         |                                   |
| ■   | 2991764   | BOWGUARD ASSEMBLY-HAND CTRL, 52/62       | 121 | 2090650 | LEADWIRE- 10 GA (RINGS)            |      |         |                                   |

\*\* Seal & Oring Kit P/N 2889460

\* This item is part of an assembly. This item cannot be sold separately due to machining and /or assembly that is required.

P/N 2194941 REV.A 7-05

