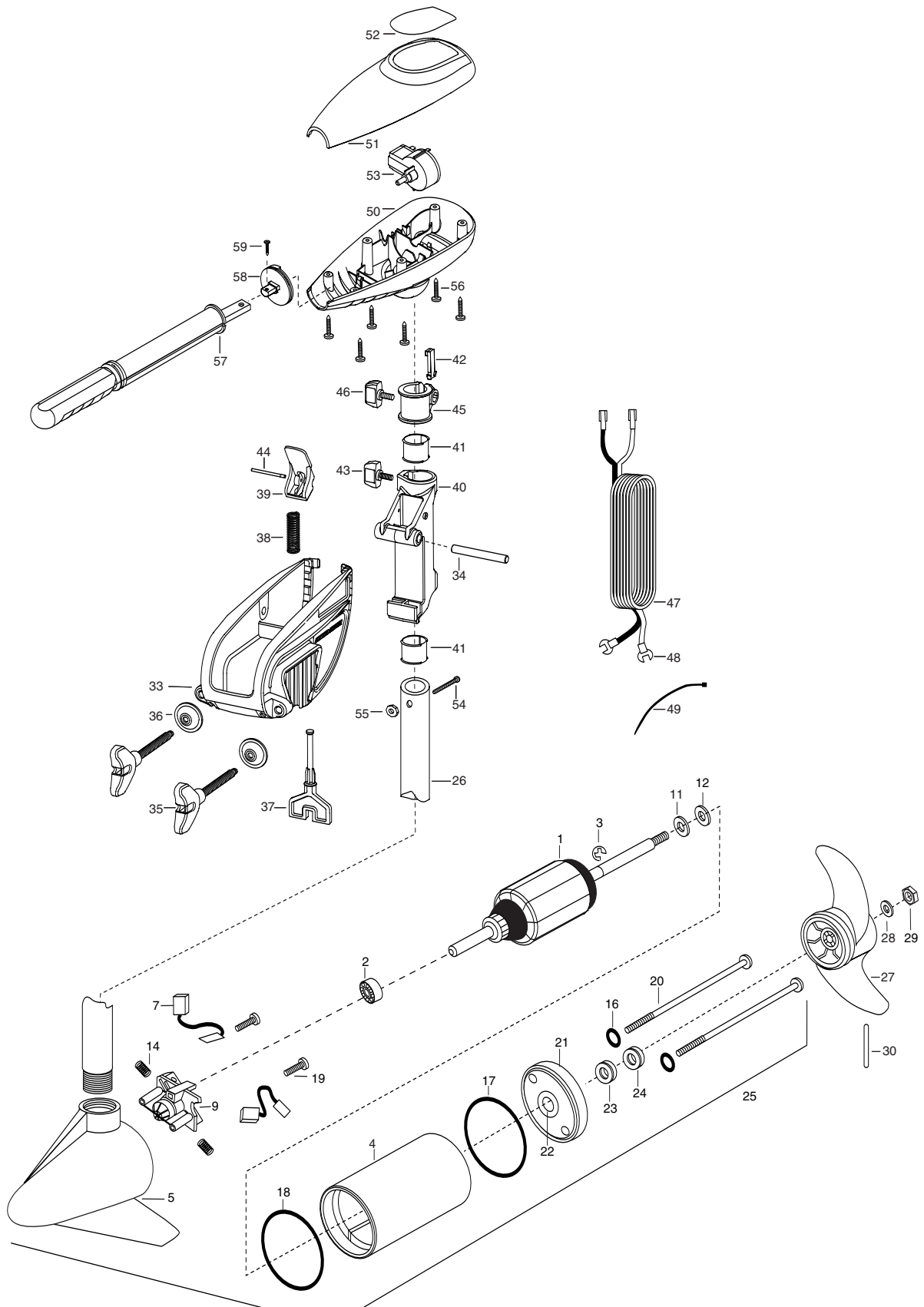


ENDURA PRO 32
32 LBS THRUST
12 VOLT 32 AMPS
30" SHAFT

for use with "AG" serial numbers
3-year warranty from the date of purchase



| | | | | | | | | |
|----|-----------|---------------------------------------|-----|---------|------------------------------------------|----|---------|-------------------------------|
| 1 | 2-100-277 | ARMATURE ASSEMBLY 12V 3.25 | | | | 42 | 2062800 | TENSION BLOCK-SNAP IN |
| | | | | | | 43 | 2011385 | SCREW, TENSION/KNOB |
| 2 | 140-010 | BALL BEARING | 22 | 144-049 | BEARING- FLANGE | 44 | 2060515 | PIN, TILT LEVER |
| 3 | 788-015 | RETAINING RING | | | | 45 | 2061520 | COLLAR-DEPTH ENDURA |
| 4 | 2-200-177 | CENTER HOUSING ASSEMBLY 3.25 TXT | 23 | 880-003 | **SEAL | 46 | 2011365 | SCREW-COLLAR/NEW KNOB |
| | | | | | | 47 | 2020605 | LEADWIRE- 14 GA SPADE TERM |
| 5 | 2-300-142 | BRUSH END HOUSING ASSEMBLY 3.25 SP CO | 24 | 880-006 | **SEAL W/SHIELD | 48 | 2020703 | TERMINAL-SPADE 14GA. [2.EA] |
| | | | | | | 49 | 2256300 | TIE WRAP |
| 7 | 188-052 | BRUSH ASSEMBLY | 25 | 2069260 | MOTOR ASSEMBLY 12V 3.25 5SPC TXT | 50 | 2062510 | CONTROL BOX ENDURA |
| 9 | 737-030 | BRUSH PLATE W/HOLDER 3.25 ASSEMBLY | | | | 51 | 2060214 | CONTROL BOX COVER BLACK |
| | | | 26 | 2032045 | TUBE, COMPOSITE 30" | 52 | 2065648 | DECAL COVER ENDURA PRO 32 |
| 11 | 990-067 | WASHER- STEEL | ■ | 1378121 | PROP KIT | 53 | 2064023 | SWITCH-FWD/REV 5 SP |
| | | | 27 | 2061122 | PROPELLER- 3.25 DIA HUB | 54 | 2033401 | SCREW-10-24X1-3/4 PPH Z/P |
| 12 | 990-070 | WASHER- NYLATRON | 28 | 2151726 | WASHER- 5/16 STD SS | 55 | 2013110 | NUT-10-24 HEX ZCP |
| | | | 29 | 2053101 | NUT- NYLOC 5/16 SS | 56 | 2012100 | SCREW-8-18X5/8 THD CUT [6.EA] |
| 14 | 975-032 | SPRING- COMPRESSION | 30 | 2092600 | PIN-DRIVE | 57 | 2990901 | HANDLE ASSEMBLY 5 SPEED |
| | | | ■ | 2771818 | BRACKET & HINGE ASSY (INCLUDES- 33—45) | 58 | 2060405 | PIVOT, HANDLE |
| 16 | 701-007 | **O-RING [2.EA] | ■ | 2771910 | BRACKET ASSEMBLY (INCLUDES- 33,35,36) | 59 | 2012102 | SCREW |
| | | | *33 | 2061910 | BRACKET | | | |
| 17 | 701-039 | **O-RING MK406460 | 34 | 2060510 | PIN-HINGE | | | |
| | | | ■ | 2881300 | SCREW CLAMP, WASHER, RETAINER KIT [2.EA] | | | |
| 18 | 701-041 | **O-RING | *35 | 2061300 | SCREW-CLAMP [2.EA] | | | |
| | | | *36 | 2011710 | WASHER-CLAMP SCREW [2.EA] | | | |
| 19 | 830-001 | SCREW- SELF THREAD 8-32X1.7 [2.EA] | 37 | 2063605 | T-BAR, PLASTIC | | | |
| | | | 38 | 2062706 | SPRING- (T-BAR) | | | |
| 20 | 830-076 | THRU BOLT 8-32X8.0 [2.EA] | 39 | 2067201 | LEVER-TILT BLACK | | | |
| | | | 40 | 2061810 | HINGE-PLASTIC | | | |
| 21 | 423-127 | HOUSING- PLAIN END PLAST ASSEMBLY | 41 | 2037301 | BUSHING-HINGE [2.EA] | | | |

** Seal & Oring Kit P/N 2883460 * This item is part of an assembly. This item cannot be sold separately due to machining and /or assembly that is required.

P/N 2064933 REV.C 5-04

