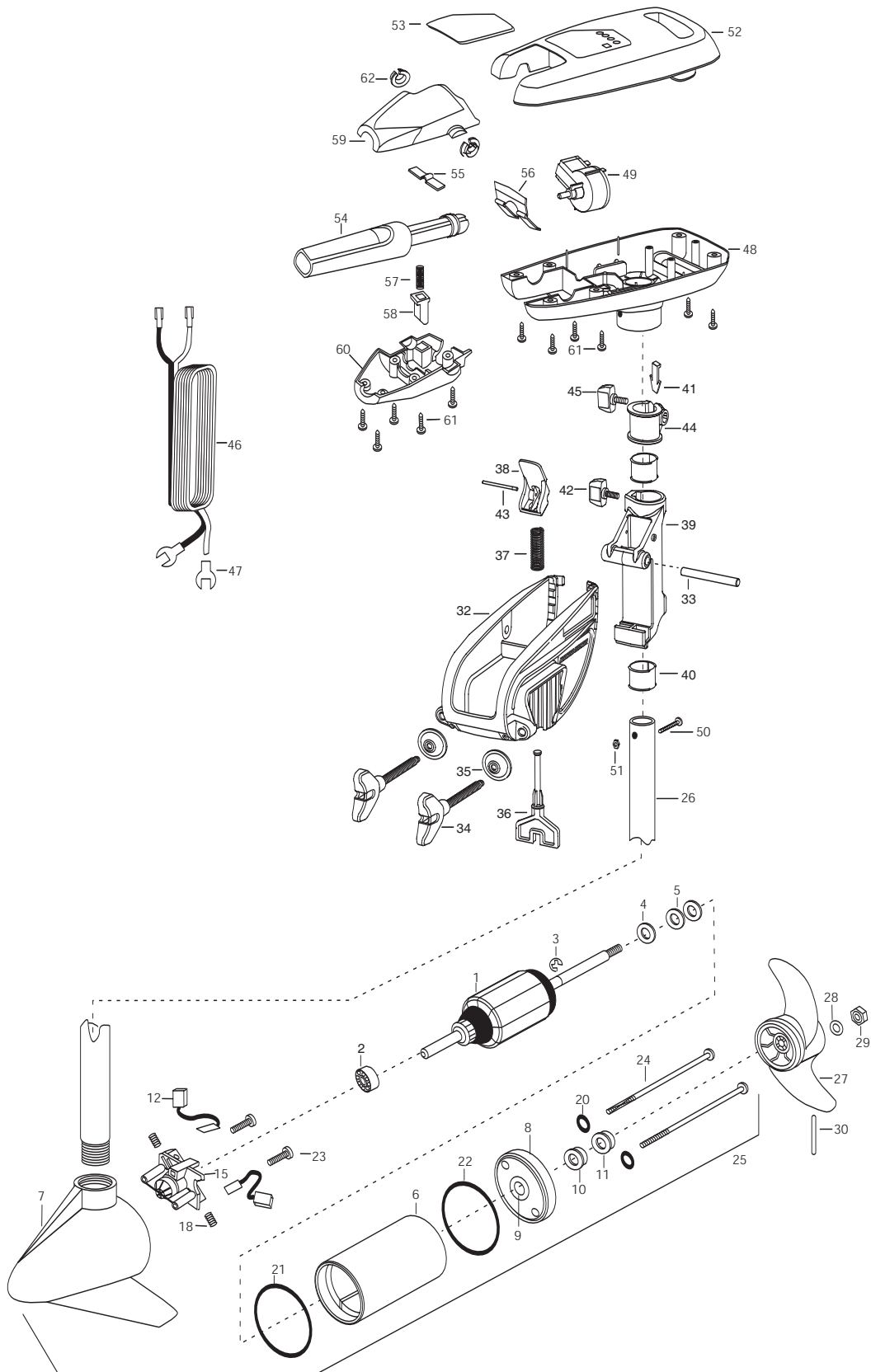


CAMO 44
44 lbs Thrust
12 Volt 42 Amps
36" Shaft

for use with "AG" serial numbers
2-year warranty from the date of purchase



| | | | | | |
|-----|-----------|--|----|---------|-----------------------------------|
| 1 | 2-100-201 | ARMATURE ASSEMBLY 12V 3.25 40# | 36 | 2063605 | T-BAR PLASTIC |
| 2 | 140-010 | BEARING-BALL | 37 | 2062706 | SPRING- T-BAR ENDURA |
| 3 | 788-015 | RETAINING RING | 38 | 2067201 | LEVER- TILT BLACK ENDURA |
| 4 | 990-067 | WASHER - STEEL THRUST | 39 | 2061810 | HINGE-PLASTIC |
| 5 | 990-070 | WASHER - NYLATRON [2.EA] | 40 | 2037301 | BUSHING-HINGE [2.EA] |
| 6 | 2-200-079 | HOUSING ASSEMBLY CENTER 3.25 TXT | 41 | 2062800 | TENSION BLOCK- SNAP IN |
| 7 | 2-300-132 | HOUSING ASSEMBLY BRUSH END 3.25 SP.CO. | 42 | 2011385 | SCREW-TENSION/NEW KNOB |
| 8 | 2-400-128 | PLAIN END HOUSING ASSEMBLY 3.25 | 43 | 2060515 | PIN- TILT LEVER |
| 9 | 144-049 | BEARING - FLANGE [SERVICE ONLY] | 44 | 2061520 | COLLAR-DEPTH ((ENDURA) |
| 10 | 880-003 | **SEAL | 45 | 2011365 | SCREW-COLLAR/NEW KNOB |
| 11 | 880-006 | **SEAL WITH SHIELD | 46 | 2050609 | LEADWIRE 10 GA SPADE TERM |
| 12 | 188-052 | BRUSH ASSEMBLY [2.EA] | 47 | 2020702 | TERMINAL SPADE 10GA [2. EA] |
| 15 | 738-030 | BRUSH PLATE W/HOLDER 3.25 ASSEMBLY | 48 | 2067706 | CONTROL BOX CAMO W/HAND 5SPD |
| 18 | 975-032 | SPRING - COMPRESSION [2.EA] | 49 | 2064023 | SWITCH-FWD/REV 5SPD |
| 20 | 701-007 | **O-RING [2. EA] | 50 | 2033400 | SCREW-10-24 K 1-3/4 |
| 21 | 701-041 | **O-RING | 51 | 2013110 | NUT-10-24 HEX |
| 22 | 701-039 | **O-RING MK406460 | 52 | 2060284 | CONTROL BOX COVER-(CAMO) |
| 23 | 830-001 | SCREW - SELF-THREAD 8-32X1.7 [2.EA] | 53 | 2095669 | DECAL-COVER, 44XL CAMO |
| 24 | 830-078 | THRU BOLT 8-32 X 8.96 [2. EA] | 54 | 2990918 | HANDLE ASSEMBLY-W/U-JOINT 5SPD |
| 25 | 2068250 | MOTOR ASSEMBLY 12V3.25 5SPD TXT | 55 | 2302742 | SPRING-DETENT OFF (SS) |
| 26 | 2067711 | TUBE (COMP)W/CS K HOLE 36" CAMO DIPPED | 56 | 2302743 | SPRING-DETENT HANDLE-TILT |
| ■ | 1378126 | PROPELLER KIT | 57 | 2302745 | SPRING-RELEASE BUTTON (SS) |
| 27 | 2061125 | PROPELLER W/WEDGE | 58 | 2303720 | RELEASE BUTTON-HANDLE |
| 28 | 2151726 | WASHER-PROP (MEDIUM) | 59 | 2067708 | HANDLE (TOP HALF) CAMO |
| 29 | 2053101 | NUT-PROP NYLOC | 60 | 2067707 | HANDLE (LOWER HALF) CAMO |
| 30 | 2092600 | PIN-DRIVE (SS) | 61 | 2303412 | SCREW-6-20 x 5/8 SELF TAP [11 EA] |
| ■ | 2771810 | BRACKET & HINGE ASSEMBLY- CAMO | 62 | 2060005 | BEARING-HANDLE PIVOT [2. EA] |
| ■ | 2771910 | BRACKET W/CLAMP SCREW ASSEMBLY (INCL.32,34,35) | | | |
| *32 | 2061910 | BRACKET PLASTIC | | | |
| 33 | 2060510 | PIN-HINGE- ENDURA | | | |
| *34 | 2061300 | SCREW- CLAMP | | | |
| *35 | 2011710 | WASHER- CLAMP SCREW 1.5OD | | | |
| ■ | 2881300 | CLAMP SCREW, WASHER, RETAINER KIT | | | |

** Seal & Oring Kit P/N 2883460 * This item is part of an assembly. This item cannot be sold separately due to machining and /or assembly that is required.

P/N 2034962

REV.B 1-04

