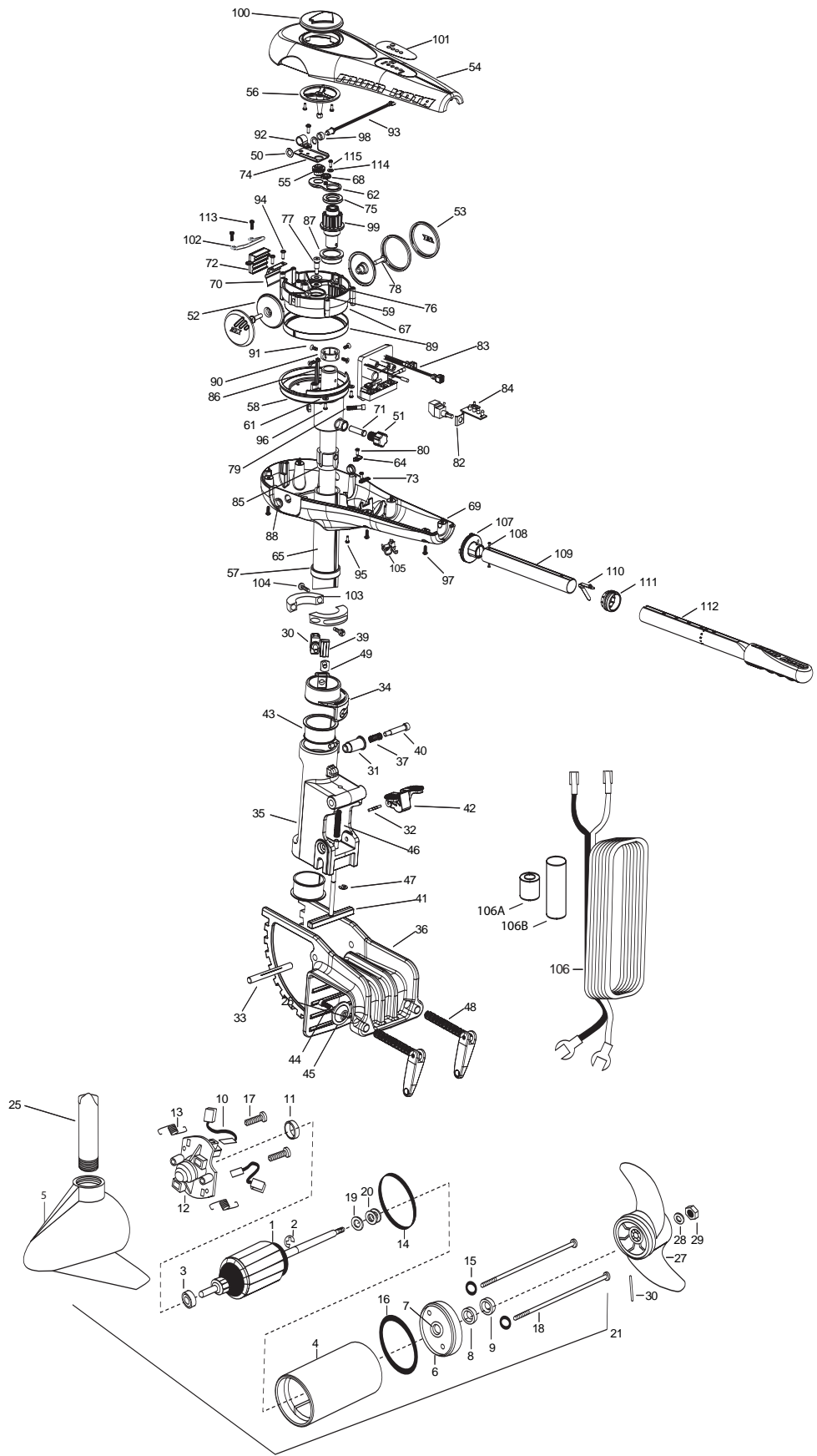


VECTOR 55- 3X STEERING
SUPER DUTY BRACKET
55 LBS THRUST
12 VOLT 50 AMPS
36" & 42" SHAFT

for use with "AG" serial numbers
3-year warranty from the date of purchase



1	2-100-115	ARMATURE ASSEMBLY	41	2073603	T-BAR	82	2074000	POT CLIP
2	140-010	BALL BEARING	42	2077202	TILT LEVER	83	2074060	CONTROL BOARD ASSEMBLY
3	788-015	RETAINING RING	43	2077310	BUSHING HINGE [2 EA.]	84	2074070	BATTERY METER
4	2-200-101	HOUSING ASSEMBLY CENTER 3.62 TXT	44	2263452	SCREW 1/4-20 SHCS [2 EA.]	85	2075100	TENSION SLEEVE
5	421-065	HOUSING -BRUSH END 3.62 TXT	45	2331700	WASHER CLAMP [2 EA.]	86	2076701	KEY - TUBE
6	2-400-101	PLAIN END HOUSING ASSEMBLY 3.625	46	2332700	SPRING	87	2077305	BEARING UPPER
7	144-049	BEARING - FLANGE (SERVICE ONLY)	47	2013000	E-RING	88	2077316	BUSHING PIVOT [2 EA.]
8	880-003	**SEAL	48	2991301	CLAMP / HANDLE ASSEMBLY	89	2077320	BEARING - GEAR CARRIER
9	880-006	**SEAL WITH SHIELD	49	2263101	NUT-T	90	2071560	COLLAR TUBE
10	188-036	BRUSH ASSEMBLY [2.EA]	50	2013100	SPEED NUT	91	2223468	SCREW 8-32 [4 EA.]
11	725-050	BRUSH RETENTION- PAPER TUBE	51	2070105	KNOB-TENSION	92	2263201	CLAMP WIRE HARNESS
12	738-036	BRUSH PLATE W/HOLDER	52	2070110	PIVOT KNOB [2 EA.]	93	2264015	LIGHT INDICATOR
13	975-040	SPRING - TORSION [2.EA]	53	2070117	COVER-PIVOT KNOB [2 EA.]	94	2372100	SCREW 8-18 SS [2 EA.]
14	337-036	**GASKET	54	2070201	COVER 3:1	95	2073416	SCREW 8-32 SS SHCS [2 EA.]
15	701-008	**O-RING, THRU-BOLT [2.EA]	55	2070801	COUPLER SOCKET	96	2303412	SCREW 6-20 [2 EA.]
16	701-081	**O-RING	56	2070810	COUPLER DRIVE	97	2303412	SCREW 6-20 X 5/8" [6 EA.]
17	830-007	SCREW-8-32 [2.EA]	57	2071500	LOWER COLLAR SUPPORT	98	2071525	SPACER-INDICATOR LIGHT
18	830-042	THRU-BOLT 10-32X8.83 [2.EA]	58	2071512	YOKE-GEAR CARRIER	99	2992205	PINION - MAIN
19	990-067	WASHER- STEEL THRUST	59	2071710	WASHER NYLATRON [2 EA.]	100	2998600	INDICATOR ASSEMBLY
20	990-070	WASHER - NYLATRON [2.EA]	60	2071712	WASHER SS	101	2075602	DECAL VECTOR 55
21	2097101	MOTOR ASSEMBLY 12V 3.62 VARS 36"	61	2071714	WASHER FLAT #6 [2 EA.]	102	2072815	BRACKET- TILT STOP
	2097090	MOTOR ASSEMBLY 12V 3.62 VARS 42"	62	2071900	IDLER PLATE	103	2261622	COLLAR HALF [2 EA.]
25	2072000	TUBE- COMPOSITE 3:1 36"	64	2071905	BRACKET- SENSOR SWITCH	104	2263453	SCREW 1/4-20 X 1" [2 EA.]
	2072001	TUBE- COMPOSITE 3:1 42"	65	2072085	OUTER TUBE 3:1 36"	105	2052900	STRAIN RELIEF
■	1378131	PROPELLER KIT		2072086	OUTER TUBE 3:1 42"	106	2090600	LEADWIRE
26	2091160	PROPELLER W/WEDGE 2	67	2072210	GEAR CARRIER	106A	2307310	BEAD - FERRITE (CE MODELS ONLY)
27	2151726	WASHER-5/16 SS	68	2072215	GEAR- IDLER	106B	2075401	HEAT SHRINK 1.10" OD X 3.5" (CE MODELS ONLY)
28	2053101	NUT-PROP NYLOC	69	2072501	CONTROL BOX	107	2990404	PIVOT HANDLE ASSEMBLY
29	2092600	PIN-DRIVE	70	2072705	SPRING DETENT	108	2072102	SCREW #6 X 1/4" [2 EA.]
30	2011385	SCREW-TENSION	71	2072710	SPRING TENSION SLEEVE	109	2070425	HANDLE TUBE
31	2070100	KNOB ORIENTATION COLLAR	72	2072810	DETENT BLOCK-TILT	110	2070411	LATCH-BUTTON
32	2070513	PIN HINGE ZINC	73	2072811	DETENT BLOCK-SWITCH	111	2070010	BEARING
33	2070515	PIN PIVOT ZINC	74	2072900	RETAINER COUPLER	112	2990931A	HANDLE ASSEMBLY-EXT.
34	2071505	ORIENTATION COLLAR	75	2073000	RING PRELOAD	113	2332101	SCREW #8-32 X 1/2" SS [2 EA.]
■	2991825	BRACKET/HINGE ASSEMBLY	76	2073100	HEX NUT - NYLOC [3 EA.]	114	2071720	#4 WASHER SS
35	2071872	HINGE 3:1 BRACKET	77	2073400	SCREW 5/16" X 1/2" SHOULDER	115	2373440	#4 SCREW SS
36	2071941	BRACKET FW BLACK	78	2073408	SCREW [2 EA.]			
37	2072700	SPRING	79	2073410	SCREW			
39	2072800	TENSION BLOCK	80	2073414	SCREW 6-32 PPH [2 EA.]			
40	2073402	SCREW 5/16 X 1 1/4" SHOULDER						

** Seal & Oring Kit P/N 2888460 * This item is part of an assembly. This item cannot be sold separately due to machining and /or assembly that is required.

P/N 2074980

REV. B 4-05

