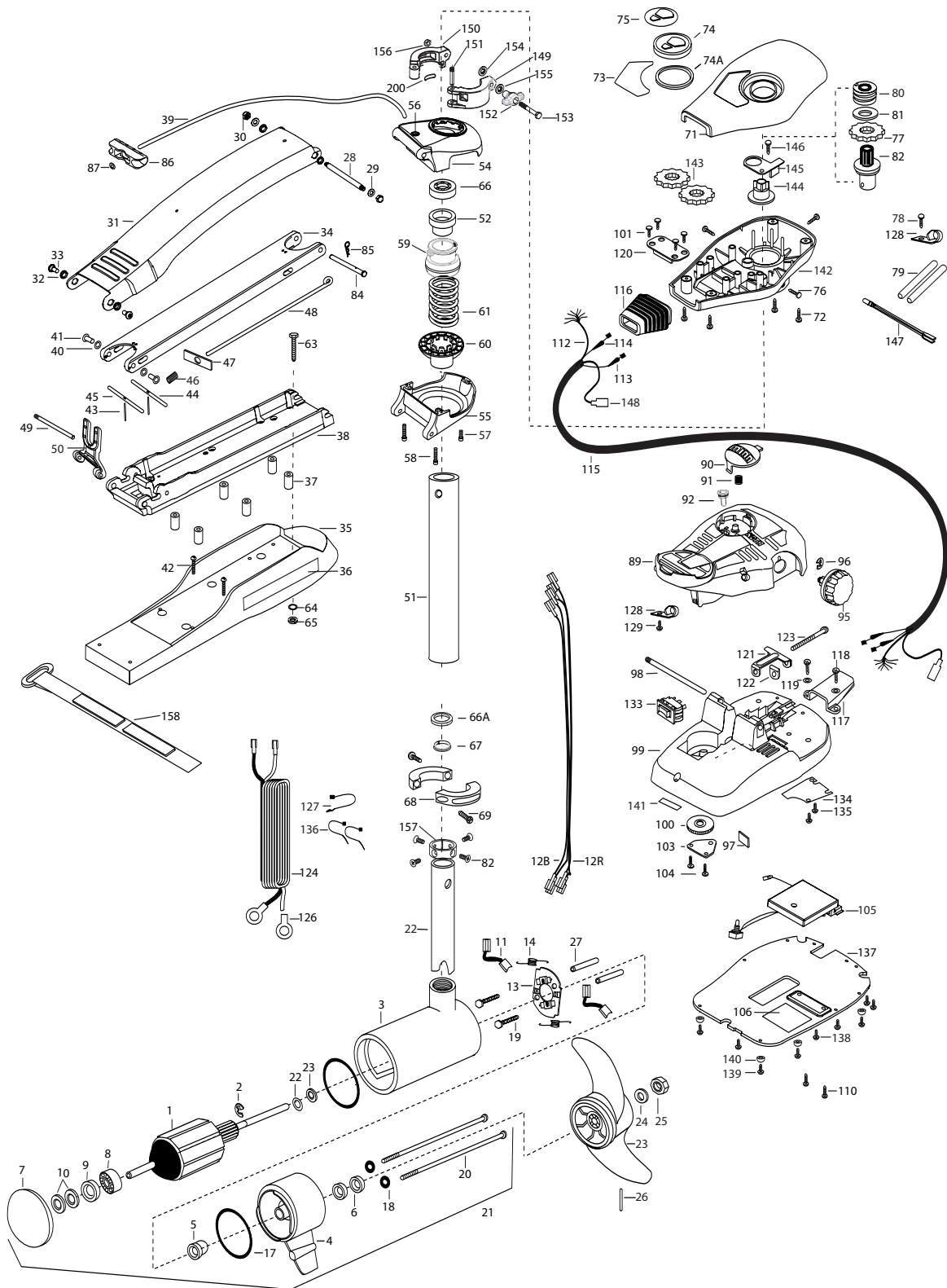


**MAX70**  
70 lbs Thrust  
24 Volt 45 Amps  
42" SHAFT

for use with "AH" serial numbers  
3-year warranty from the date of purchase



1	2-100-271	ARMATURE ASSEMBLY 24V 4"	50	2293811	YOKE- MAKXUM MOUNT,POLYPROPYLENE	104	2301310	SCREW- 8-18 X 1/2 [4.EA]
2	788-040	RETAINING RING	■	2992085	TUBE W/BEARING RACE ASSEMBLY	105	2344054	CNTROL BOARD ASSEMBLY 24-36V MAX
3	2-200-160	CENTER HOUSING ASSEMBLY 4.0 TXT	51	2272085	TUBE OUTER-21" 4 HOLES	106	2365107	INSULATING PAD (2.3X3.2)
4	2-300-160	BRUSH END HOUSING ASSEMBLY	52	2266260	BEARING RACE	110	2223455	SCREW- 10-32 X 1/2" [2.EA]
5	144-017	BEARING- FLANGE (SERVICE ONLY)				112	2261220	WIRE HARNESS AT & MAX
6	880-025	SEAL [2.EA]	■	2991762	BOWGUARD ASSEMBLY- FT CTRL,FW	113	2267505	CABLE ASSEMBLY- RIGHT (5')
7	421-276	PLAIN END HOUSING ASSEMBLY	54	2772319	BRACKET BASE TOP/ EYELET ASSEMBLY	114	2267515	CABLE ASSEMBLY- LEFT (5')
8	140-010	BALL BEARING	*55	2991771	BRKT BOTTOM/BEARING FW ASSEMBLY	115	2265430	CABLE JACKET (5')
9	990-045	THRUST SPACER	56	2772352	EYELET- KIT	116	2265110	BOOT- CONTROL BOX
10	992-010	SPRING WASHER	57	2263423	SCREW 5/16-18 X 1" SHCS ZINC	117	2265115	BOOT- FOOT PEDAL BASE
11	186-094	BRUSH [2.EA]	58	2263425	SCREW 5/16-18 X 2 1/2 SHCS [2.EA]	118	2372100	SCREW- 8-18X5/8 THD [2.EA]
12B	640-017	LEADWIRE-BLACK 10 AWG 61 XLP	59	2071541	SPRING SLEEVE- UPPER	119	2261714	WASHER- MAXXUM FT PDL [2.EA]
12R	640-121	LEADWIRE-RED 10 AWG 62 1/2	60	2071535	SPRING SLEEVE- LOWER	120	2261901	BRACKET- CONDUIT
13	738-040	BRUSH PLATE 4"	61	2262712	SPRING- BOWGUARD, NIK PL	121	2263210	BRACKET- CONDUIT ADJUST
14	975-041	SPRING- TORSION [2.EA]	■	2994830	BAG ASSEMBLY- MAXXUM	122	2263401	NYLOCK KEEPER
15	701-043	O-RING [2.EA]	*63	2263431	SCREW- 1/4-20 X 3.5 PPH [6.EA]	123	2263463	SCREW- 1/4-20X2" STL PPH
16	830-027	SCREW -SELF THREAD 10-32X2 [2.EA]	*64	2261713	WASHER- 1/4 FLAT S/S [6.EA]	124	2261233	LEADWIRE- A/5 VARIABLE
17	830-094	THRU BOLT 12-24X10.31 [2.EA]	*65	2263103	NUT- 1/4-20 NYLOCK-JAM SS [6.EA]	126	2020700	TERMINAL RING- 3/8" [2.EA]
18	701-009	O-RING —THRU BOLT [2.EA]	66	2266000	BEARING BALL- STEEL	127	2256300	TIE WRAP- 5.5' BLACK
19	990-051	WASHER- STEEL	66A	2266001	BEARING, CARTRIDGE	128	2263201	CLAMP WIRE HARNESS MICRO [2.EA]
20	990-052	WASHER- NYLATRON	*67	2266116	BEARING, SPLIT RING	129	2332103	SCREW- 6-20X3/8 THD (SS)
21	2316223	MOTOR ASSEMBLY 24V F/W	*68	2261619	COLLAR HALF- ZINC [2.EA]	133	2254031	SWITCH- MOM/OFF/CON
22	2032003	TUBE- COMPOSITE W/4 HOLE 42"	*69	2263452	SCREW- 1/4-20X3/4 [2.EA]	134	2266412	SWITCH PLATE- FT PEDAL
■	1378132	PROPELLER KIT	71	2260283	CONTROL BOX COVER- MAXXUM	135	2332103	SCREW- 6-20X3/8 THD SS [2.EA]
23	2331160	PROPELLER W.WEDGE II	72	2372100	SCREW- 8-18 X 5/8 THD [4.EA]	136	2256301	TIE WRAP- 5.5' WHITE [2.EA]
24	2091701	WASHER- SS	73	2265643	DECAL- COVER MAX70/FC	137	2774511	BOTTOM PLATE- MAXXUM FT
25	2093101	NUT-PROP NYLOC	74	2260150	POINTER DISC TRNSLCNT RED	138	9953104	SCREW-8 X 1/2" (SS) [5.EA]
26	2262658	PIN-DRIVE	74A	2261733	WASHER-FOAM, INDICATOR	139	2263455	SCREW- #12-14X1/2 THR FRM [4.EA]
27	973-025	SPACER- BRUSH PLATE [2.EA]	75	2265800	DECAL- INDICATOR	140	2265126	BUMPER PAD- FOOT PEDAL [4.EA]
28	2262605	PIN- BWGRD UPPER THREADED ZP	76	2053414	SCREW- 8-32 X 1/2 TRI-LOBE [3. EA]	141	2266610	DECAL- ON/OFF SWITCH
29	2261722	WASHER- FLAT [2.EA]	77	2267800	GEAR- INDICATOR	142	2262535	CONTROL BOX- PLASTIC
30	2223100	NUT- TENSION 5/16-18 SS [2.EA]	78	2301310	SCREW- 8-18 X 1/2	143	2267800	GEAR- INDICATOR [2.EA]
■	2771840	MOUNT- BOW ASSEMBLY, STD FW MAX	79	2355410	SHRINK TUBE- 3/8 OD X 2" [2.EA]	144	2262220	INDICATOR- DRIVE
31	2264241	ARM-UPPER STD FW	80	2232360	PULLEY- CABLE DRUM	145	2261905	BRACKET/INDICATOR
32	2293501	BUSHING- STAINLESS STEEL [4.EA]	81	2261730	WASHER- NYLON A/T CON	146	2301310	SCREW- 8-18X1/2"
33	2263500	BOLT- SHOULDER MAXXUM [2.EA]	82	2996247	TOP BEARING RACE /PINION DRIVE	147	2264015	LIGHT/INDI0CATOR
34	2774315	ARM-LOWER ASSEMBLY,STD,FW,EXTRA [INCLUDES 39, 43-47, 86,87]	83	2223468	SCREW- 8-32 X 7/16 [4.EA]	148	2211400	EXTENSION CABLE- SONAR
35	2263912	MOTOR REST (STD) FW	84	2262607	PIN- CLEVIS ZP MAXXUM BWGRD	■	2991550	CLAMP COLLAR ASSEMBLY
36	2265514	DECAL- MAXXUM MOTOR REST [2.EA]	85	2260805	CLIP- SPRING ZP MAX BG	149	2071550	CLAMP COLLAR "A"
37	2261505	SPACER- MOTOR REST [6.EA]	86	2150400	PULL- GRIP	150	2071555	CLAMP COLLAR "B"
38	2773987	BOWPLATE- W/INSERT	87	2151700	WASHER- EYE SHAFT(.562 OD)	151	2072621	PIN-KNURLED
39	2251601	ROPE (40"), MAXXUM MOUNT	89	2790002	FOOT PEDAL/PLUG ASSEMBLY	152	2070120	KNOB-CLAMP COLLAR
40	2261708	WASHER- 3/8X1/2X.010 SS [2.EA]	90	2993702	PUSH- BUTTON MAGNET ASSY	153	2073412	SCREW 1/4-28 X 2 3/4" SS
41	2236000	BEARING NYLINER [2.EA]	91	2302732	SPRING- LOWER PEDAL	154	2071718	WASHER #10 NYLON RETAINING
42	2263434	SCREW, 8-18X1" PPH [2.EA]	92	2260810	CLIP, REED SWITCH	155	2071716	WASHER - FLAT SS
43	2152610	SPRING- PIN LOCKBAR [2.EA]	95	2260160	KNOB- SPEED CONTROL (VAR)	156	2073102	NUT - HEX 1/4 - 28 SS
44	2233600	LOCK BAR- BOW MOUNT	96	2263000	E-RING THU-ARC	157	2071560	SPLIT COLLAR
45	2233602	LOCK BAR REAR - ZINC	97	2266413	TENSION SCREW PLATE FTPEDAL	158	2263804	STRAP - VELCRO 30.5"
46	2152700	SPRING- LOCKBAR CAD.PLTD	*98	2260511	PIN- PIVOT A/T FT PDL	200	2075120	URETHANE PAD
47	2262703	SPRING STOP- MAXXUM	99	2774550	FT PEDAL BASE/PIN ASSEMBLY			
48	2153602	EYE SHAFT-2LOCKBAR STD	100	2262301	PULLEY- FOOT PEDAL			
49	2260506	HINGE-PIN HEADLESS ZINC	101	2223430	SCREW- #8X3/4 PPH TYPE 25 SS [4.EA]			
			103	2266400	COVER- PULLEY			

Seal & O-Ring Kit is p/n 2889460

\* This item is part of an assembly. This item cannot be sold separately due to machining and /or assembly that is required. P/N 2274983 REV. E 10-06

