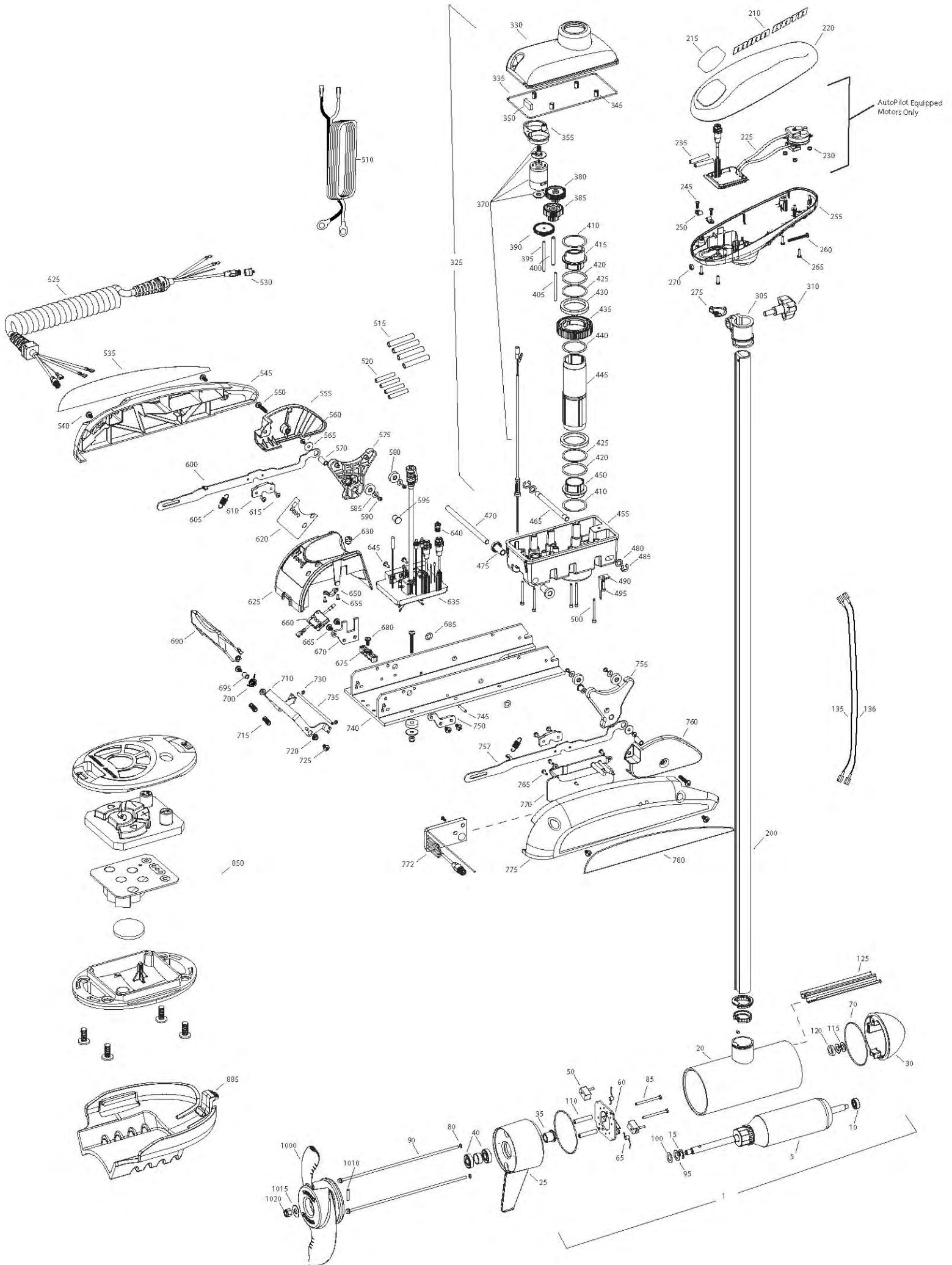


RT 80 ST
80 LBS THRUST
24 VOLT 56 AMPS
54" OR 60" SHAFT

for use with "AH" serial numbers
3-year warranty from the date of purchase



Item	P/N	Description	Qty	Item	P/N	Description	Qty	Item	P/N	Description	Qty
1	277-7027	24V Motor 60" SW	1	375	2300560	Cap, spacer, plastic	1	660	2074081	Battery meter, 24v	1
	277-7026	24V Motor 54" SW	1	380	2302255	Gear, cluster 3rd stage	1	665	2323402	Screw, 1/4-20 x .375	4
5	2-100-214	Armature assembly	1	385	2302250	Gear, cluster 2nd stage	1	670	2321941	Bracket, strain relief	1
10	140-010	Bearing	1	390	2302245	Gear, cluster 1st stage	1	675	2321310	Strain relief, wire	1
15	788-040	Retaining ring	1	395	2302610	Shaft, gear 1st stage	1	680	2323405	Screw, 1/4-20 x .5	1
20		Included in #200 assembly		400	2302620	Shaft, gear 3rd stage	1	685	2333100	Speed nut, .375	2
25	2-300-370	Brush end housing assembly	1	405	2302615	Shaft, gear 2nd stage	1	690	2320216	Handle, release cover	1
30	421-376	Plain end housing assembly SW	1	410	2321704	Washer, thrust	2	695	2301700	Bushing,	1
35	144-017	Flange bearing	1	415	2321515	Liner, output tube	1	700	2302700	Spring, release handle	1
40	880-025	Seal	2	420	2324603	O-ring, 224	2	710	2320401	Handle, release SW	1
50	188-094	Brush	2	425	2321720	Shim, O-ring	2	715	2322712	Spring, release handle	2
60	2-600-199	Brush plate assembly	1	430	2327308	Bearing, ball sealed	2	720	2322604	Bushing, handle	2
65	975-041	Brush spring	2	435	2322200	Gear, output	1	725	2332104	Screw, 1/4-20 x .625	2
70	701-043	O-ring, motor	2	440	2324601	O-ring, output gear	1	730	2323000	E-clip, 3/16, SS	2
80	701-009	O-ring, thru-bolt	2	445	2322230	Tube, output machined	1	735	2322607	Pin, follower, handle	1
85	830-027	Screw, 10-32 x 2	2	450	2321510	Collar, drive, bottom	1	740	2321901	Base extrusion, machined	2321902
90	830-095	Thru-bolt	2	455	2326507	Steering housing, Bottom	1	745	2322912	Spring pin,	2
95	990-051	Washer, steel	2	460	2320605	Leadwire, Steering	1	750	2321951	Bracket, sideplate	1
100	990-052	Washer, nylon	2	465	2322601	Pin, latch, SS	1	755	2323900	Ramp, 4" right	1
110	973-025	Spacer, brush plate	2	470	2322603	Pin, pivot, SS	1	757	2324201	Arm, release, Right	1
115	992-010	Washer, Belleville	2	475	2327310	Bushing, pivot pin	2	760	2321920	Skid, right	1
120	992-045	Spacer, thrust	1	480	2321702	Washer, flat .375	2	765	2301310	Screw, 8-18 x .5	3
125	582-013	Clip, retaining, short	1	485	2263011	E-ring .375	2	770	2370221	Cover, access, SW	1
135	640-025	Leadwire, black	1	490	2322702	Spring, latch pin	2	772	2374090	Copilot Reciever Board	1
136	640-133	Leadwire, red	1	495	2323410	Screw, 8-32 x .75	1	775	2321911	Sideplate, right, SW	1
200	2777396	Tube, composite 60" SW	1	500	2323408	Screw, 8-32 x 2	7	780	2325642	Decal, sideplate, right	1
205		Included in #200 assembly		510	2090651	Leawire, 10 ga	1				
210	2325666	Decal, cover	2	525	2991271	Coil cord	1	850	2994095	Remote assembly	1
215	2325686	Decal, ctrl box 80 RT	1	530	2320202	Cap, dust, coil cord, non-AP only	1	851		Case, cover, transmitter	1
	2325683	Decal, ctrl box 80 RT Autopilot	1	535	2325643	Decal, sideplate, left	1	860		Keypad, transmitter	1
220	2320201	Cover, ctrl box	1	540	2323405	Screw, 1/4-20	4	865		Transmitter board	1
225	2324030	Ctrl board, compass, Autopilot only	1	545	2321916	Sideplate, left	1	870		Battery, transmitter	1
230	2302960	Grommet, compass, Autopilot only	3	550	2263427	Screw, 1/4-20 x 1.25	2	875		Case, bottom, transmitter	1
235	2065400	Wire insulator	2	555	2321925	Skid, left	1	880		Screw, 4-24	4
245	2372100	Screw, 8-18 x .625	3	560	2323422	Screw, 10-24 x .375	2	885	2371990	Mount, co-Pilot	1
250	2052510	Cable clamp	3	565	2321700	Washer, #10 SS	2				
255	2322501	Ctrl box	1	570	2327306	Bushing, pivot	2	■	1378132	Propeller kit WW2	
260	2332102	Screw, 10-24	1	575	2323905	Ramp, 4" left	4	■	2994876	Propeller bag assy	
265	2372100	Screw, 8-18 x .625	4	580	2325117	Pad, rubber rest	4	1000	2331160	Propeller WW2	1
270	2333101	Nut, 10-24	1	585	2321706	Washer, #8	4	1010	2262658	Drive pin, large	1
275	2224702	Plug, ctrl box	1	590	2323412	Screw, 8-18 x .25	4	1015	2091701	Washer, prop, large	1
305	2321500	Depth collar	1	595	2324706	Insert, ramp	2	1020	2083101	Nut, nylock, prop, large	1
310	2260901	Knob, depth collar	1	600	2324203	Arm, release, left	1		2198400		
315		Included in #200 assembly		605	2322710	Spring, extension	2	■	2994864	Mounting hardware bag assy	
320		Included in #200 assembly		610	2324211	Support block	2				
325	2997021	Steering housing	1	615	2323407	Screw, 10-32 x .375	4				
330	2326502	Steering housing top	1	620	2325651	Decal, speed control	1				
335	2324604	O-ring, case seal	1	625	2320211	Cover, speed control	1				
345	2305605	Roll pin 5/16	4	630	2322901	Strain relief	1				
350	2308601	Breather, filter	1	635	2324012	Control board, 24-36v	1				
355	2328610	Cradle, motor	1	640	2320203	Cap, dust, control board	1				
360	2302240	Pinion gear	1	645	2323406	Screw, 10-24 x	2				
365	2300265	Cap, motor, plastic	1	650	2321315	Holder, connector	1				
370	2327020	Motor, steering, 24V	1	655	2332103	Screw, 6-20 x .375	2				

Seal & O-Ring kit p/n 2889460

* This item is part of an assembly. This item cannot be sold separately due to machining and/or assembly that is required.

P/N 2324941

REV. E 2-07

RT80ST is 24-volt!

