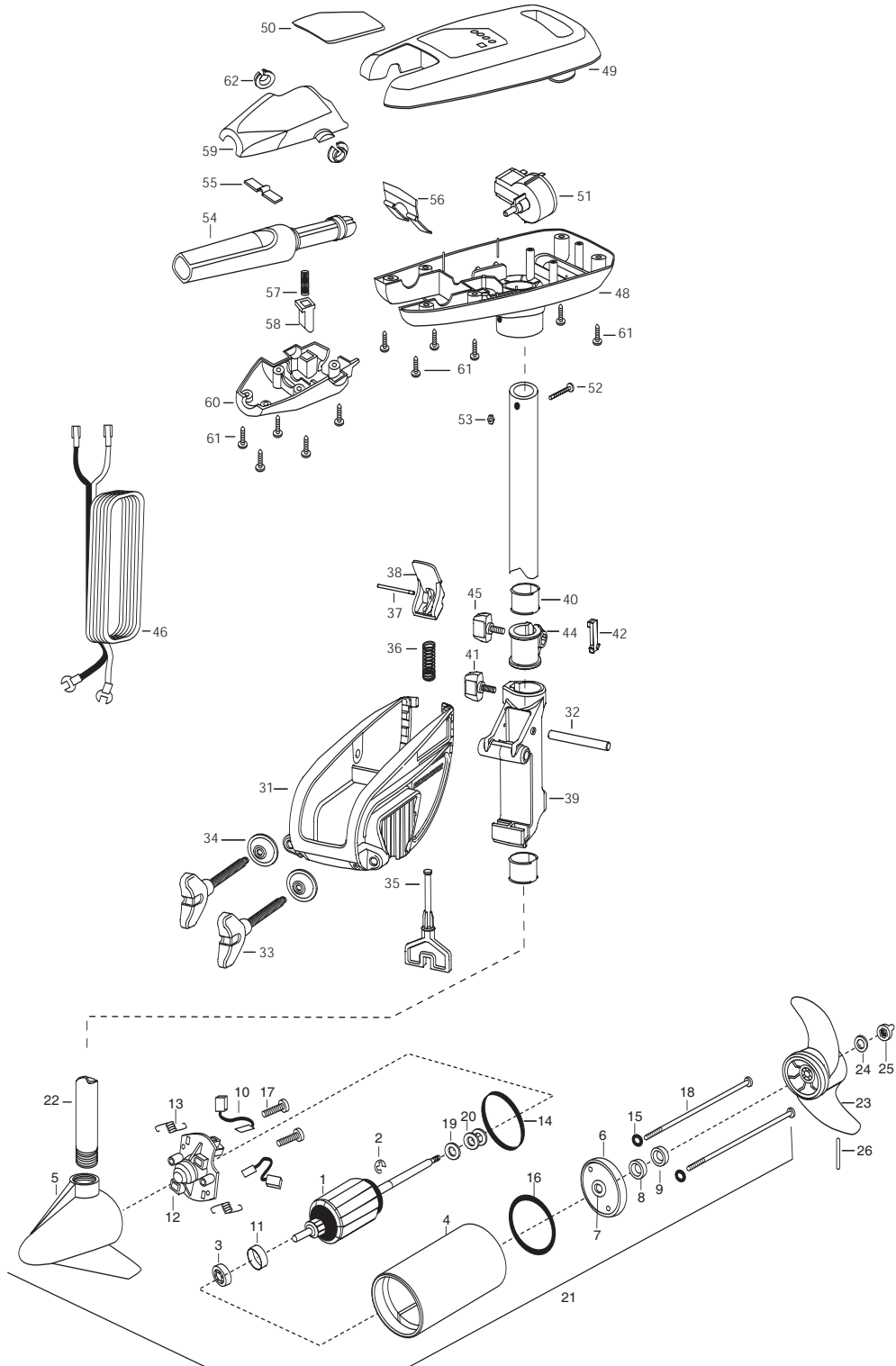


RT 50 SC / t
50 LBS. THRUST
12 VOLT 42 AMPS
30" or 42" SHAFT

for use with "AH" serial numbers
3-year warranty from the date of purchase



1	2-100-115	ARMATURE ASSEMBLY 12V 3.625	24	2151726	WASHER- 5/16 STD SS	53	2333101	NUT-HEX NYLOC
2	788-015	RETAINING RING	25	2198400	ANODE- ZINC 3.25/3.62 LWR U	54	2990911	HANDLE ASSY-W/U-JOINT 5SPD
3	140-010	BEARING -BALL	26	2092600	PIN-DRIVE SS	55	2302742	SPRING-DETENT (OFF) SS
4	431-301	CENTER HOUSING ASSEMBLY 3.62 SW TXT	■	2771816	BRACKET & HINGE ASSEMBLY	56	2302743	SPRING-DETENT HANDLE-TILT
5	2-300-337	BRUSH END HOUSING ASSEMBLY 3.62 SPCO	■	2771913	BRACKET ASSEMBLY	57	2302745	SPRING-RELEASE BUTTON SS
6	2-400-337	PLAIN END HOUSING ASSEMBLY 3.62			(INCL- 31,33,34)	58	2303720	RELEASE BUTTON-HANDLE
7	144-049	BEARING - FLANGE [SERVICE ONLY]	*31	2061910	BRACKET PLASTIC	59	2060410	HANDLE (TOP HALF)NO MAXIM
8	880-003	SEAL	32	2060511	PIN-HINGE SS	60	2060415	HANDLE (LOWER HALF)
9	880-006	SEAL WITH SHIELD	*33	2061301	SCREW-CLAMP SS [2.EA]	61	2303412	SCREW-6-20 X 5/8 [11.EA]
10	188-036	BRUSH ASSEMBLY [2. EA]	*34	2331700	WASHER-CLAMP SCREW [2.EA]	62	2060005	BEARING-HANDLE PIVOT [2.EA]
11	725-050	PAPER TUBE- BRUSH RETENTION	35	2063605	T-BAR PLASTIC			
12	738-036	BRUSH PLATE W/HOLDER	36	2062706	SPRING- T-BAR			
13	975-040	SPRING - TORSION [2. EA]	37	2060516	PIN- TILT LEVER			
14	337-036	GASKET	38	2067201	LEVER-TILT BLACK			
15	701-008	O-RING [2. EA]	39	2061810	HINGE-PLASTIC			
16	701-081	O-RING	40	2037301	BUSHING-HINGE [2.EA]			
17	830-007	SCREW # 8-32 [2.EA]	41	2011386	SCREW-TENSION/NEW KNOB SS			
18	830-042	THRU BOLT 10-32 X 8.83 [2. EA]	42	2062800	TENSION BLOCK- SNAP IN			
19	990-067	WASHER - STEEL THRUST	44	2061520	COLLAR-DEPTH			
20	990-070	WASHER - NYLATRON [2. EA]	45	2011366	SCREW-COLLAR SS [2.EA]			
21	2097097	MOTOR ASSEMBLY 12V 3.625 SW 5SPC 42"	46	2050609	LEADWIRE 10GA RINGS			
	2099097A	MOTOR ASSEMBLY 12V 3.625 SW 5SPC 30"	48	2062552	CONTROL BOX PLAS W/HAND WHT			
22	2032032	TUBE (COMPOSITE) 42" W	49	2060264	COVER-CTRL BOX RT WHT			
	2032039	TUBE (COMPOSITE) 30" W	50	2075615	DECAL-COVER			
■	1378131	PROPELLER KIT	51	2064023	SWITCH-FWD/REV 5 SP			
23	2091160	PROPELLER- WEEDLESS 2	52	2332102	SCREW-10-24 X 1-3/4 SS			

Seal & O-Ring Kit p/n 2888460 * This item is part of an assembly. This item cannot be sold separately due to machining and /or assembly that is required.

P/N 2074926 REV. C 2-06

