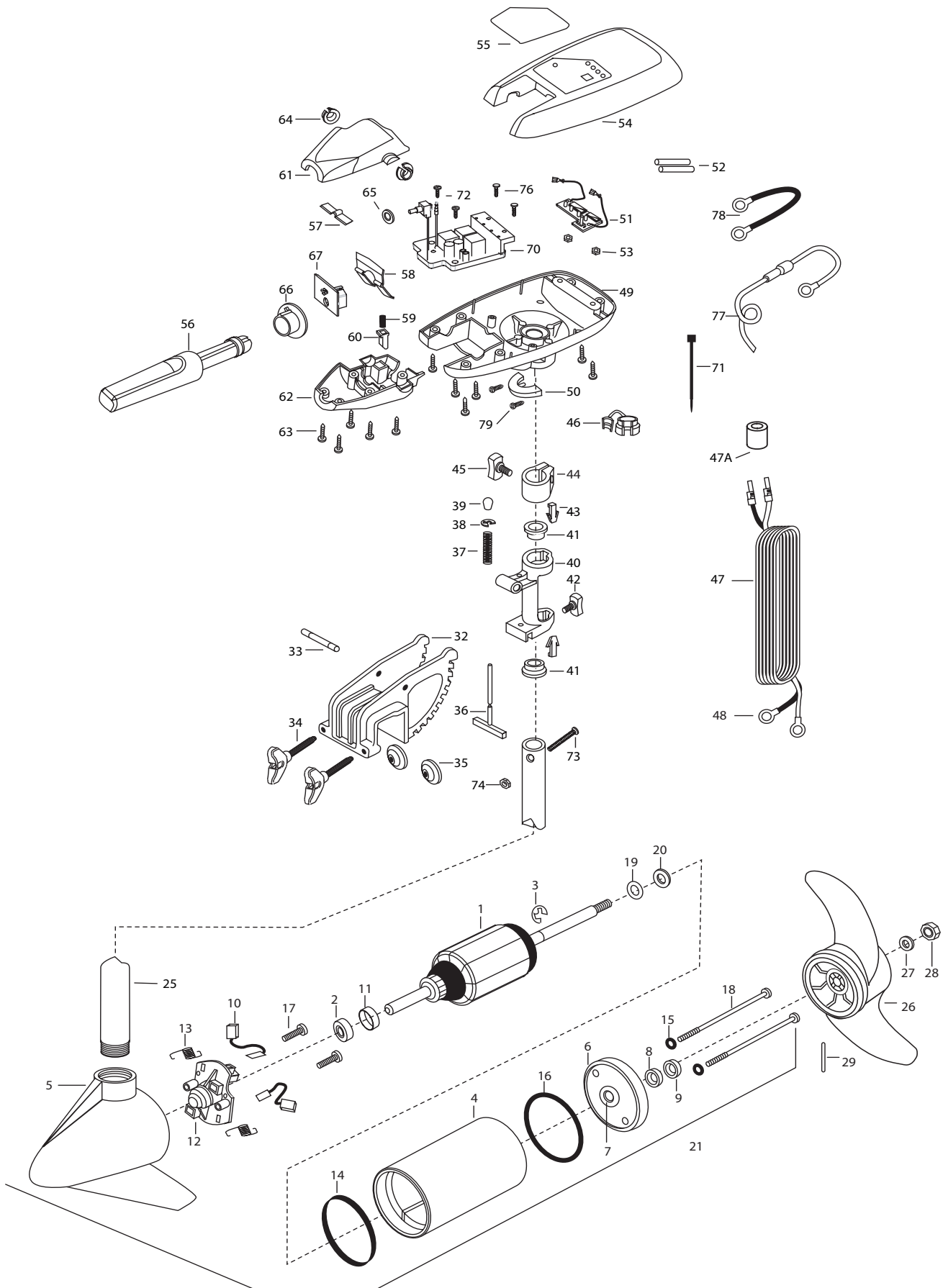


**MAXXUM 70/T**  
**70 lbs Thrust**  
**24 Volt 42 Amps**  
**36" or 42" Shaft**

**for use with "AH" serial numbers**  
**3-year warranty from the date of purchase**



1	2-100-119	ARMATURE ASSEMBLY	41	2037301	BUSHING-HINGE [2.EA]
2	140-010	BALL BEARING	42	2011385	SCREW-TENSION/NEW KNOB
3	788-015	RETAINING RING	43	2062800	TENSION BLOCK- "SNAP IN" [2.EA]
4	431-005	CENTER HOUSING ASSEMBLY 3.625 FW TXT	44	2061520	COLLAR-DEPTH
5	421-065	HOUSING BRUSH END 3.62 TXT	45	2011365	SCREW-COLLAR/NEW KNOB
6	2-400-101	PLAIN END HOUSING ASSEMBLY 3.625	46	2052900	STRAIN RELIEF-C.CORD/SP.C
7	144-049	BEARING - FLANGE (SERVICE CENTER ONLY)	47	2090600	LEADWIRE (10 GA) RINGS
8	880-003	SEAL	47A	2307310	BEAD - FERRITE [2 EA] (CE MODELS ONLY)
9	880-006	SEAL WITH SHIELD	48	2020700	TERMINAL RING, 3/8" [2.EA]
10	188-037	BRUSH ASSEMBLY [2.EA]	49	2062592	CONTROL BOX,FW, .725 BORE ZIN
11	725-050	BRUSH RETENTION- PAPER TUBE	50	2061515	COLLAR-CTRL BOX
12	738-036	BRUSH PLATE W/HOLDER	51	2074071	BATTERY GAUGE-24 VOLTS
13	975-040	SPRING - TORSION [2.EA]	52	2375400	SHRINK TUBE-1/4OD X 1-3/4 [2.EA]
14	337-036	GASKET	53	2303120	SPEED NUT [2.EA]
15	701-008	O-RING, THRU-BOLT [2.EA]	54	2990294	CTRL BOX CVR/DECAL ASSEMBLY
16	701-081	O-RING	55	2065661	DECAL-COVER MAX70T TRANS
17	830-007	SCREW-8-32 [2.EA]	56	2990914	HANDLE ASSEMBLY W/O U-JOINT
18	830-008	THRU-BOLT 10-32X9.205 [2.EA]	57	2302742	SPRING-DETENT (OFF)
19	990-067	WASHER- STEEL THRUST	58	2302743	SPRING-DETENT HANDLE-TILT
20	990-070	WASHER - NYLATRON	59	2302745	SPRING-RELEASE BUTTON
21	2096030	MOTOR ASSEMBLY 24V F/W 51.5" LDS	60	2303720	RELEASE BUTTON-HANDLE
25	2032057	TUBE (COMPOSITE) 36"	61	2060409	HANDLE (TOP HALF) MAXIMIZE
	2032053	TUBE (COMPOSITE) 42"	62	2060415	HANDLE (LOWER HALF)
	■ 1378131	PROPELLER- KIT	63	2303412	SCREW-6-20 X 5/8 SELF TAP [11.EA]
26	2091160	PROPELLER W/WEDGE 2	64	2060005	BEARING-HANDLE PIVOT [2.EA]
27	2151726	WASHER- 5/16 STD SS	65	2181700	WASHER SPACER
28	2053101	NUT-PROP NYLOC 5/16 SS	66	2992852	ACTUATOR-CAM
29	2092600	PIN-DRIVE SS	67	2184020	POT ADAPTER
	■ 2771960	BRACKET & HINGE ASSEMBLY(FW)	70	2184001	CTRL BOARD ASSEMBLY 24/36V
	■ 2771901	BRACKET/CLAMP SCREWS/WASHERS INCL.32,334,35	71	2256300	TIE WRAP-5.5" BLACK
*32	2031931	BRACKET DIE CAST-FW PAINT	72	2372100	SCREW-8-18 X 5/8 THD [2.EA]
33	2010511	PIN-HINGE	73	2383407	SCREW-10-24 X 2 PPH ZINC
	■ 2881300	SCREW-CLAMP, WASHER, RETAINER KIT [2.EA]	74	2383124	NUT-10-24 NYLOCK ZINC PLT
*34	2061300	SCREW-CLAMP [2.EA]	76	2301310	SCREW-8-18 X 1/2 SS [2.EA]
*35	2011710	WASHER [2.EA]	77	2060310	CONNECT'GROUND WIRE-FUSED
36	2033600	T-BAR	78	2090620	CONNECTOR CABLE 24 VOLT
37	2012700	SPRING- (T-BAR)	79	2263434	SCREW #8 X 1" PPH SS [2.EA]
38	2013000	E-RING- (PULLEY HOUSING)			
39	2010100	KNOB-TILT			
40	2031852	HINGE-MACHINED			

# Max70T is 24-volt!

