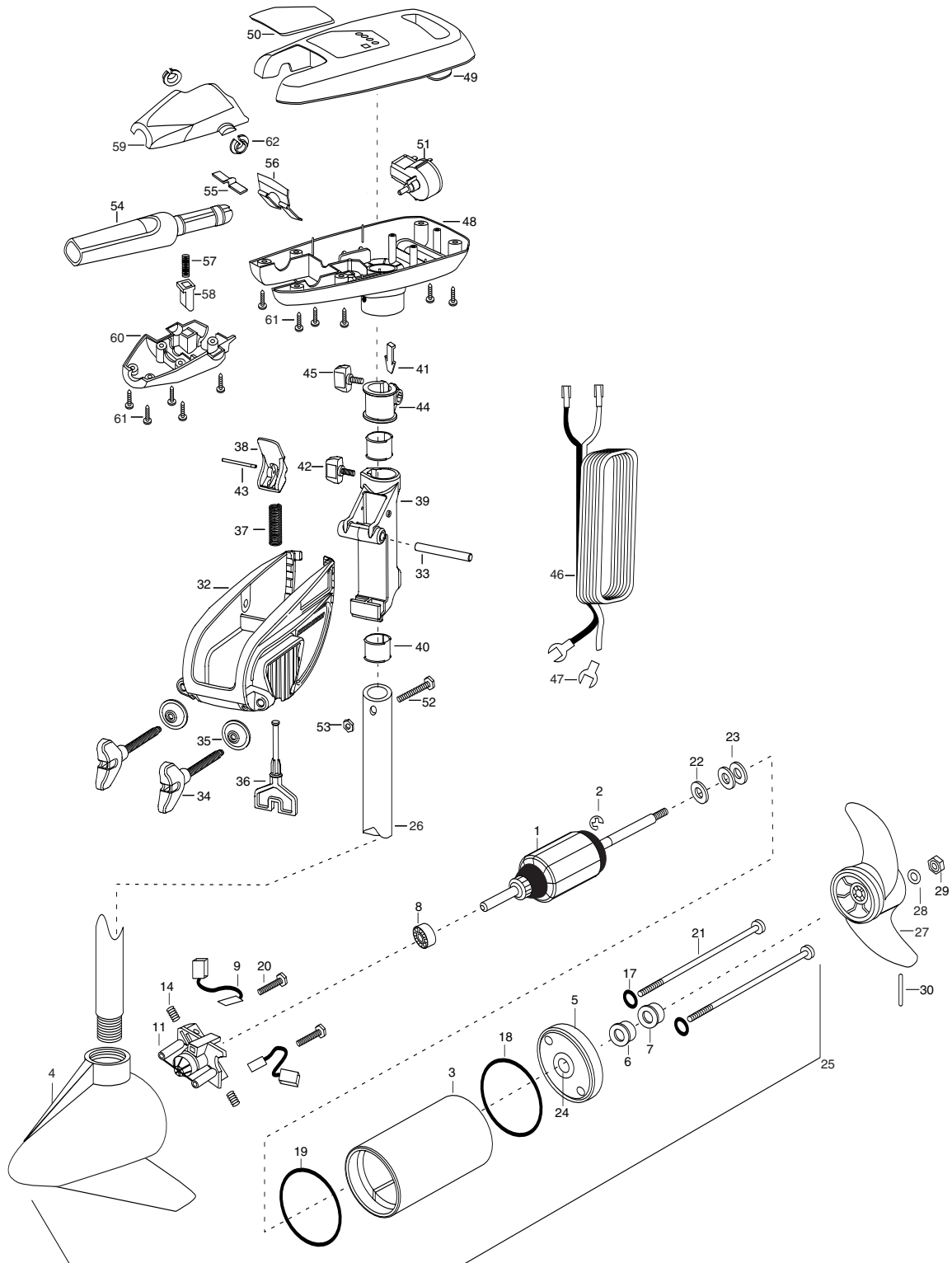


**TURBO 30**  
**30LBS. THRUST**  
**12 VOLT 30 AMPS**  
**36" SHAFT**

**for use with "AH" serial numbers**  
**2-year warranty from date of purchase**



1	2-100-277	ARMATURE ASSEMBLY 12V 3.25 5SPDC TXT	23	990-070	WASHER- NYLATRON [2.EA]	49	2062551	CONTROL BOX-PLAS W/HAND
						50	2060281	CONTROL BOX COVER- BLK
2	788-015	RETAINING RING	24	144-049	FLANGE BEARING (SERVICE ONLY)	51	2065657	DECAL COVER-30T
3	2-200-177	HOUSING ASSEMBLY CENTER 3.25 TXT				52	2064023	SWITCH-FWD/REV COMBO-5 SP
			25	2069261	MOTOR ASSEMBLY 12V 3.25 5SPC	53	2033400	SCREW-10-24 X 1-3/4
4	2-300-132	BRUSH END HOUSING ASSEMBLY3.25 SP CO				54	2013110	NUT-HEX ZINC/CAD PLATE
			26	2032052	TUBE- COMPOSITE 36"	55	2990912	HANDLE ASSEMBLY W/U-JOINT 5SP
5	2-400-128	PLAIN END HOUSING ASSEMBLY		■ 1378126	PROP KIT	56	2302742	SPRING-DETENT OFF SS
			27	2061125	PROP- WEEDLESS WEDGE	57	2302743	SPRING-DETENT HANDLE
6	880-003	SEAL	28	2151726	WASHER- 5/15 STD SS	58	2302745	SPRING-RELEASE BUTTON SS
			29	2053101	NUT-PROP NYLOC 5/16 SS	59	2303720	RELEASE BUTTON-HANDLE
7	880-006	SEAL W/SHIELD	30	2092600	PIN-DRIVE SS	60	2060408	HANDLE- TOP HALF
				■ 2771818	BRACKET & HINGE ASSEMBLY	61	2060415	HANDLE- LOWER HALF
				■ 2771910	BRACKET W/CLAMP SCREW ASSEMBLY	62	2303412	SCREW-6-20 X 5/8 SELF TAP [11.EA]
8	140-010	BALL BEARING			(INCL.32,34,35)		2060005	BEARING-HANDLE PIVOT [2.EA]
9	188-052	BRUSH ASSEMBLY [2.EA]	*32	2061910	BRACKET PLASTIC			
11	738-030	BRUSH PLATE W/HOLDER 3.25	33	2060510	PIN-HINGE- ENDURA			
			*34	2061300	SCREW- CLAMP			
14	975-032	SPRING- COMPRESSION [2.EA]	*35	2011710	WASHER- CLAMP SCREW 1.5OD			
				■ 2881300	CLAMP SCREW, WASHER, RETAINER			
17	701-007	O-RING- THRU BOLT [2.EA]	36	KIT				
			37	2063605	T-BAR PLASTIC			
18	701-039	O-RING MK406460	38	2062706	SPRING- T-BAR ENDURA			
			39	2067201	LEVER- TILT BLACK			
19	701-041	O-RING	40	2061810	HINGE-PLASTIC			
			41	2037301	BUSHING-HINGE [2.EA]			
20	830-001	SCREW- SELF THREAD [2.EA]	42	2062800	TENSION BLOCK- SNAP IN			
			43	2011385	SCREW-TENSION/NEW KNOB			
21	830-076	THRU BOLT 8-32X8.0 [2.EA]	44	2060515	PIN- TILT LEVER			
			45	2061520	COLLAR-DEPTH ((ENDURA)			
			46	2011365	SCREW-COLLAR W/NEW KNOB			
22	990-067	WASHER- STEEL	47	2050609	LEADWIRE 10 GA SPADE TERM			
			48	2020702	TERMINAL- SPADE 10GA [2.EA]			

