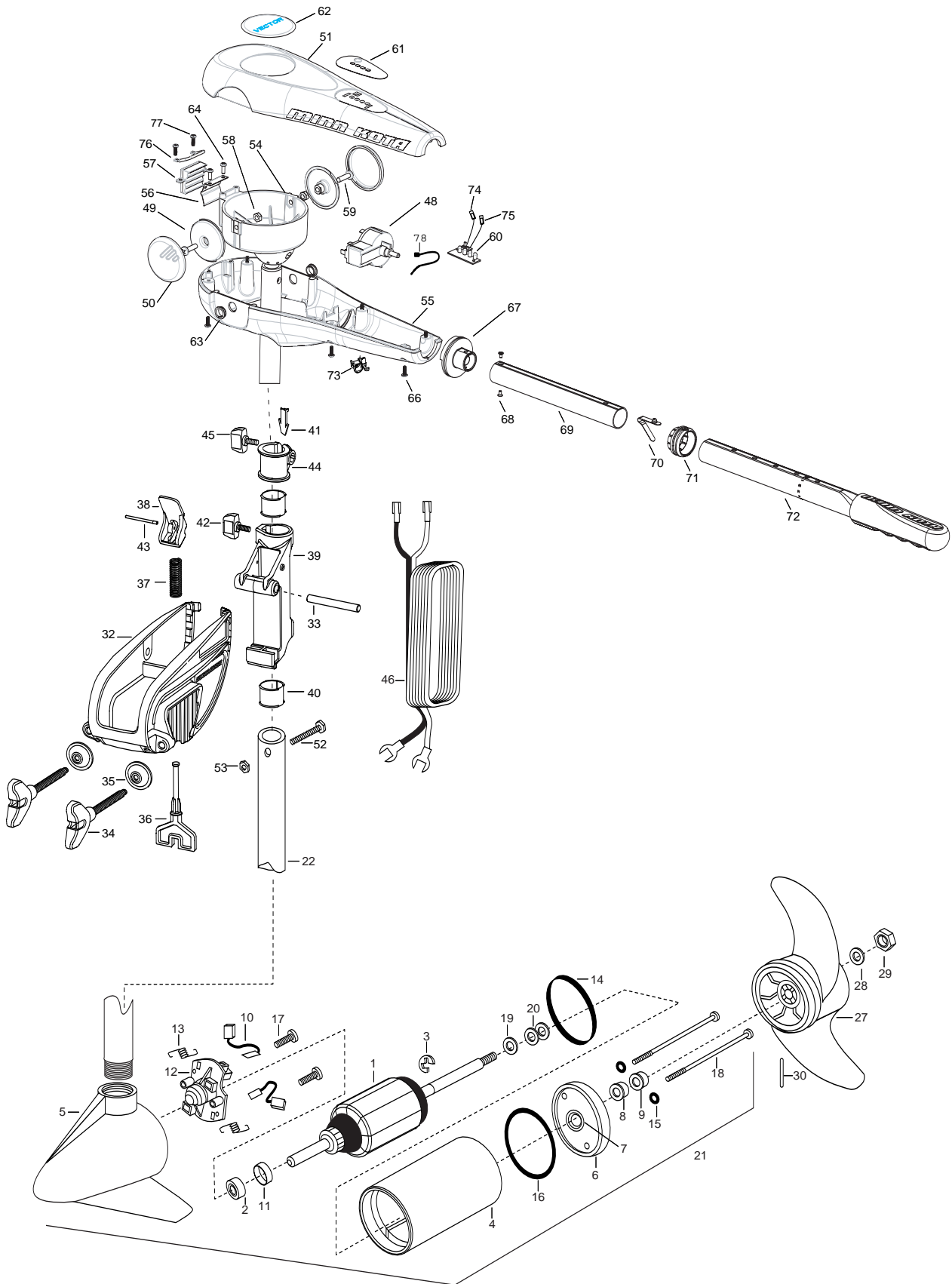


VECTOR 40
LEVER LOCK BRACKET
40LBS. THRUST
12 VOLT 42 AMPS
36" SHAFT

for use with "AH" serial numbers
2-year warranty from the date of purchase



1	2-100-178	ARMATURE ASSEMBLY 12V 3.25	40	2037301	BUSHING-HINGE [2.EA]
2	788-015	RETAINING RING	41	2062800	TENSION BLOCK- SNAP IN
3	2-200-079	CENTER HOUSING ASSEMBLY 3.25 TXT	42	2011385	SCREW-TENSION/NEW KNOB
4	2-300-132	BRUSH END HOUSING ASSEMBLY 3.25 SP.CO	43	2060515	PIN- TILT LEVER
5	2-400-127	HOUSING- PLAIN END ASSEMBLY	44	2061520	COLLAR-DEPTH ((ENDURA)
6	880-003	SEAL	45	2011365	SCREW-COLLAR W/NEW KNOB
7	880-006	SEAL W/SHIELD	46	2050609	LEADWIRE 10 GA SPADE TERM
8	144-050	BEARING- SPHERICAL	48	2064023	SWITCH - 5 SPD.
9	188-052	BRUSH ASSEMBLY [2.EA]	49	2070110	PIVOT KNOB [2 EA.]
10	725-033	BRUSH RETENTION- PAPER TUBE	50	2070115	COVER PIVOT KNOB [2 EA.]
11	737-031	BRUSH PLATE W/HOLDER 3.25 ASSEMBLY	51	2070211	CONTROL BOX COVER
		INCLUDES 8,11,12,13	52	2033401	SCREW 10-24 X 1-3/4"
12	784-036	BEARING RETAINER	53	2013110	NUT-HEX ZINC/CAD PLATE
13	991-025	WASHER- FELT	54	2071520	YOKE PIVOT
14	975-032	SPRING- COMPRESSION	55	2072501	CONTROL BOX
15	116-020	BALL- STEEL	56	2072705	SPRING DETENT
16	303-039	THRUST DISC- METAL	57	2072810	DETENT BLOCK, TILT
17	701-007	O-RING [2.EA]	58	2073100	NUT-1/4-20" NYLOC [2 EA.]
18	701-039	O-RING MK406460	59	2073408	SCREW 1/4-20 [2 EA.]
19	701-041	O-RING	60	2074070	BATTERY METER
20	830-001	SCREW- SELF THREAD 8-32X1.7 [2.EA]	61	2075600	DECAL-COVER 40T VECTOR
21	830-078	THRU BOLT 8-32X8.96 [2.EA]	62	2075605	DECAL-COVER PLUG
22	990-067	WASHER- STEEL	63	2077316	BUSHING PIVOT [2 EA.]
23	990-070	WASHER- NYLATRON [2.EA]	64	2372100	SCREW 8-18 X 1/2" [2 EA.]
24	144-049	BEARING- FLANGE- SERVICE ONLY	66	2012100	SCREW 8-18 X 5/8" [6 EA.]
25	2069041	MOTOR ASSEMBLY 12V 3.25 5SPC TXT	67	2070407	PIVOT HANDLE
26	2032052	TUBE- COMPOSITE 36"	68	2072102	SCREW #6 X 1/4"
	■ 1378121	PROP KIT	69	2070425	HANDLE TUBE
27	2061125	PROP- POWER	70	2070411	LATCH-BUTTON
28	2151726	WASHER- 5/15 STD SS	71	2070010	BEARING
29	2053101	NUT-PROP NYLOC 5/16 SS	72	2990941A	HANDLE ASSEMBLY-EXT.
30	2092600	PIN-DRIVE SS	73	2052900	STRAIN RELIEF
	■ 2991815	BRACKET & HINGE ASSEMBLY RED KNOB	74	2070304	WIRE BATTERY METER BLACK
	■ 2771910	BRACKET W/CLAMP SCREW ASSEMBLY (INCL.32,34,35)	75	2070305	WIRE BATTERY METER RED
*32	2061910	BRACKET PLASTIC	76	2072815	BRACKET - TILT STOP
33	2060510	PIN-HINGE- ENDURA	77	2332101	SCREW #8-32 X 1/2" SS [2 EA.]
*34	2061300	SCREW- CLAMP	78	2256300	TIE WRAP
*35	2011710	WASHER- CLAMP SCREW 1.5OD			
	■ 2881300	CLAMP SCREW, WASHER, RETAINER KIT			
36	2063605	T-BAR PLASTIC			
37	2062706	SPRING- T-BAR ENDURA			
38	2067201	LEVER- TILT BLACK			
39	2061810	HINGE-PLASTIC			

