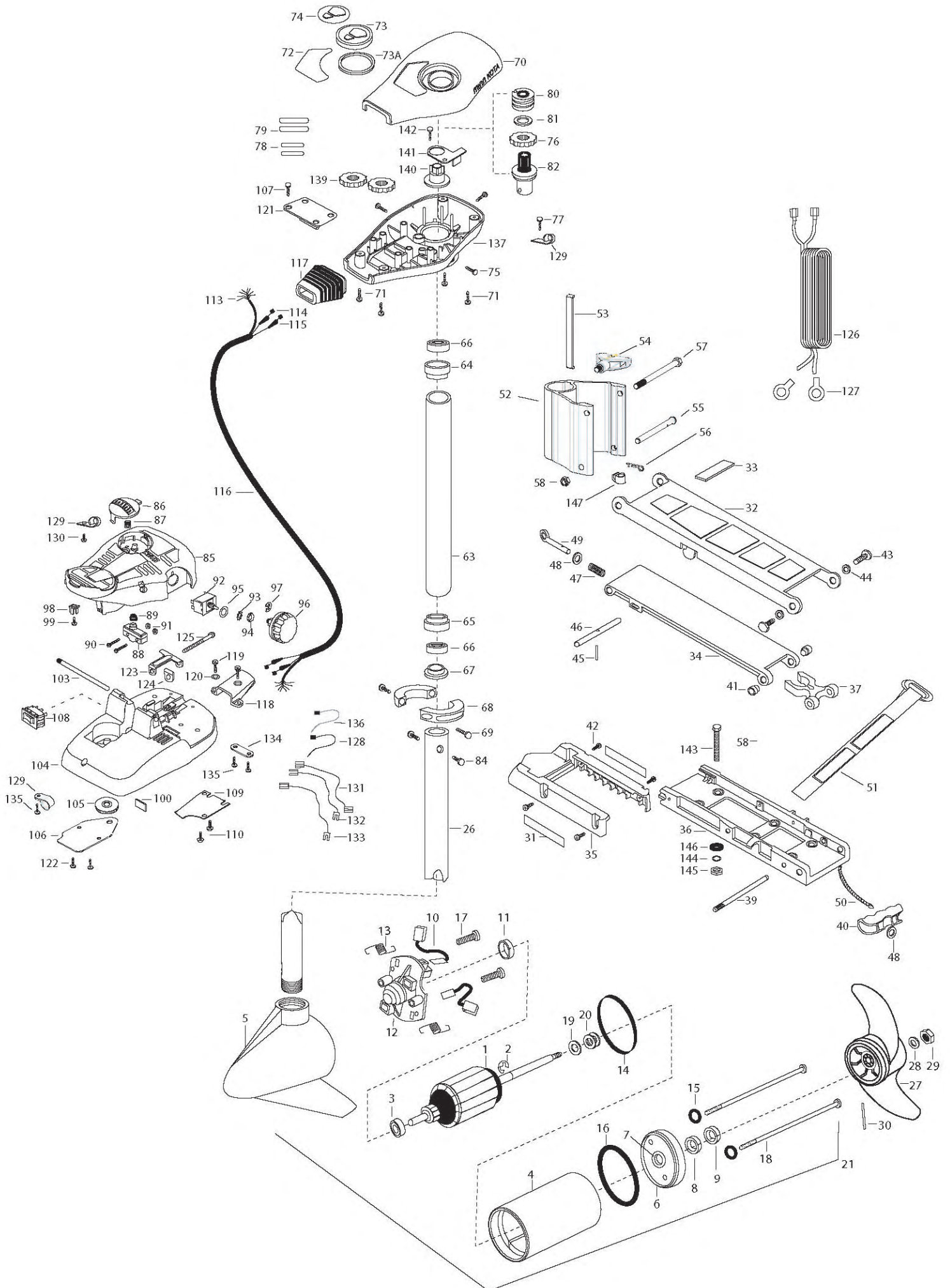


45 AT
45 LBS THRUST
12 VOLT 42 AMPS
42" AND 48"
SHAFT

for use with "AI" serial numbers
2-year warranty from the date of purchase



1	2-100-116	ARM ASSEMBLY 12V 3.25	50	2251601	ROPE- 40"	100	2266413	TENSION SCREW PLATE FT PEDL
2	788-015	RETAINING RING	51	2263805	VELCRO STRAP	103	2260511	PIN-PIVOT A/T FT PDL
3	140-010	BALL BEARING	52	2261831	1 PIECE HINGE	104	2992104	FT PEDAL BASE/PIN ASSEMBLY SONAR
4	431-101	CENTER HOUSING ASSEMBLY 3.62 TXT	53	2268610	TENSION PLATE	105	2262301	PULLEY- FOOT PEDAL
5	421-065	BRUSH END HOUSING 3.62 TXT	54	2050919	HANDLE TENSION	106	2266401	COVER-PULLEY STAMPING
6	2-400-101	PLAIN END HOUSING ASSEMBLY 3.62	55	2262608	CLEVIS PIN	107	2223430	SCREW-#8X 3/4 PPH TYPE 25 SS [4.EA]
7	144-049	BEARING -FLANGE (SERVICE ONLY)	56	2260801	HAIR SPRING CLIP	108	2254031	SWITCH-MOM/OFF/COM
8	880-003	SEAL	57	2383410	BOLT 3/8-16 X 6"	109	2266412	SWITCH PLATE, FT PEDAL
9	880-006	SEAL WITH SHEILD	58	9950153	NUT 3/8-16 NYLOC	110	2332103	SCREW-6-20 X 3/8 THD [2.EA]
10	188-036	BRUSH ASSEMBLY [2.EA]	■	2772015	TUBE W/BEARING RACE ASSEMBLY 18"	113	2261208	WIRE HARNESS, A/T FT. PED
11	725-050	BRUSH RETENTION- PAPER TUBE		2772012	TUBE W/BEARING RACE ASSEMBLY 21"	114	2267505	CABLE ASSEMBLY-RIGHT 5'
12	738-036	BRUSH PLATE W/HOLDER	63	2272066	TUBE OUTER-18" 4 HOLES	115	2267515	CABLE ASSEMBLY-LEFT 5'
13	975-040	SPRING - TORSION (2 EA.)		2272069	TUBE OUTER - 21" 4 HOLES	116	2265430	CABLE JACKET 5'
14	337-036	GASKET	64	2266260	BEARING RACE	117	2265110	BOOT-CONTROL BOX
15	701-008	O-RING, THRU BOLT (2 EA.)	65	2266220	BEARING RACE-STEEL	118	2265115	BOOT-FOOT PEDAL BASE
16	701-081	O-RING	66	2266000	BEARING BALL-STEEL [2.EA]	119	2372100	SCREW-8-18 X 5/8 THD [2.EA]
17	830-007	SCREW 8-32 (2 EA.)	67	2266115	BEARING CONE	120	2261714	WASHER-MAXXUM FT PDL [2.EA]
18	830-042	THRU BOLT 10-32 X 8.83 (2 EA.)	68	2261622	COLLAR HALF-ALUM.- [2.EA]	121	2261901	BRACKET-CONDUIT AT/MAX
19	990-067	WASHER - STEEL THRUST	69	2263453	SCREW-1/4X20 X 3/4 SHCS SS [2. A]	122	2301310	SCREW-8-18 X 1/2 [2.EA]
20	990-070	WASHER -NYLATRON (2 EA.)	70	2260284	COVER-CTR BOX AT/FC BLK	123	2263210	BRACKET- CONDUIT ADJUSTMENT
21	2099062	MOTOR ASSEMBLY 12V 3.62 5 SPC TXT FW]	71	2372100	SCREW-8-18 X 5/8 THD [4.EA]	124	2263104	NYLOCK KEEPER
26	2032063	TUBE (COMP)W/CSK HOLE 42"	72	2265688	DECAL-45 AT	125	2263466	SCREW-1/4-20 X 2 STL PPH
	2032067	TUBE (COMP)W/CSK HOLE 52"	73	2260150	POINTER DISC TRNSLCNT RED	126	2261225	LEADWIRE-BATTERY
■	1378131	PROP KIT	73A	2261733	WASHER-FOAM, INDICATOR	127	2020700	TERMINAL RING, 3/8" [2.EA]
27	2091160	PROPELLER WEEDLESS WEDGE 2	74	2265800	DECAL-INDICATOR	128	2256300	TIE WRAP-5.5" BLACK
28	2151726	WASHER- 5/16 SS	75	2053414	SCREW-8-32 X 1/2 TRI LOBE [3. EA]	129	2263201	CLAMP WIRE HARNESS MICRO
29	2053101	NUT-PROP NYLOC	76	2267800	GEAR-INDICATOR	130	2332103	SCREW-6-20 X 3/8 THD
30	2092600	PIN-DRIVE SS	77	2372100	SCREW-8-18 X 5/8 SS	131	2260301	CONNECTING WIRE -SWITCH
31	2265631	DECAL- MOTOR REST AT [2.EA]	78	2375400	SHRINK TUBE-1/4OD X 1-3/4 [2. EA]	132	2260312	WIRE,BLK W/WHT- 19 1/2
■	2771835	STD-BOWMT FW ASSY. AT 1 PC	79	2355410	SHRINK TUBE-3/8 OD X 2 [2. EA]	133	2260322	WIRE,BLK W/BLUE -12"
32	2264221	ARM-UPPER,STD,FW	80	2232360	PULLEY-CABLE DRUM	134	2263205	LEADWIRE CLAMP
33	2265120	BUMPER -UPPER ARM	81	2261730	WASHER-NYLON A/T	135	9953104	SCREW-8 X 1/2" SS
■	2774353	ARM-LOWER FW ASSEMBLY [INCL. 34,45,46,47,48,49,40,56]	82	2996246	BEARING RACE/ PINION ASSEMBLY	136	2256301	TIE WRAP 5.5 WHITE
34	2254353	ARM-LWR FW MCHD	84	2263410	SCREW-8-32 X 5/16 ZN PL [2.EA]	137	2262535	CONTROL BOX-PLASTIC
35	2263900	MOTOR REST	85	2790002	FOOT PEDAL/PLUG ASSEMBLY AT	139	2267800	GEAR-INDICATOR [2.EA]
36	2251937	BOW PLATE-D C MCHD	86	2263700	PUSH-BUTTON FOOT PEDAL	140	2262220	INDICATOR-DRIVE
37	2293805	TUBE LOCK	87	2302732	SPRING-LOWER PEDAL SS	141	2261905	BRACKET/INDICATOR
39	2260506	HINGE-PIN HEADLESS ZINC [2.EA]	88	2264020	SWITCH MOMENTARY	142	2301310	SCREW-8-18 X 1/2 (SS
40	2150400	PULL-GRIP	89	2265140	BOOT-MICROSWITCH	■	2994838	BAG ASSEMBLY-(INCL143,144,145,146
41	2267318	BEARING NYLINER- [2.EA]	90	2262114	SCREW-MOUNTING/SWITCH [2.EA]	*143	2263462	SCREW 1/4-20X2 SS [6.EA]
42	2323404	SCREW 1/4-20X5/8"PPH [4. EA]	91	2233100	NUT-SWITCH MOUNT [2.EA]	*144	2261713	WASHER-1/4 FLAT 18-18 [6.EA]
43	2293511	BOLT-UPPER ARM W/LOCTITE [2.EA]	92	2264026	SWITCH-S SPEED	*145	2263103	NUT- 1/4-20 NYLOC-JAM [6.EA]
44	2293500	BUSHING-SHOULDER UPPER ARM [4.EA]	93	2261701	LOCKWASHER-STAR	*146	2301720	WASHER MOUNTING RUBBER [6. EA]
45	2152610	SPRING-PIN LOCKEAR	94	2263105	NUT-HEX	147	2262310	GUIDE ROPE
46	2233600	LOCK BAR- BOW MOUNT	95	2261715	SPACER-SWITCH 5 SP MODELS			
47	2152700	SPRING-LOCKBAR CAD.PLT	96	2260170	KNOB-SPEED CONTROL 5SPD			
48	2151700	WASHER-EYE SHAFT .562 OD [2.EA]	97	2263000	E-RING TRU-ARC			
49	2153600	EYE SHAFT-CAD.PLATE	98	2260730	CONNECTOR 1/4 MALE TAB			
			99	2332103	SCREW-6-20 X 3/8			

2888460 seal & oring kit

