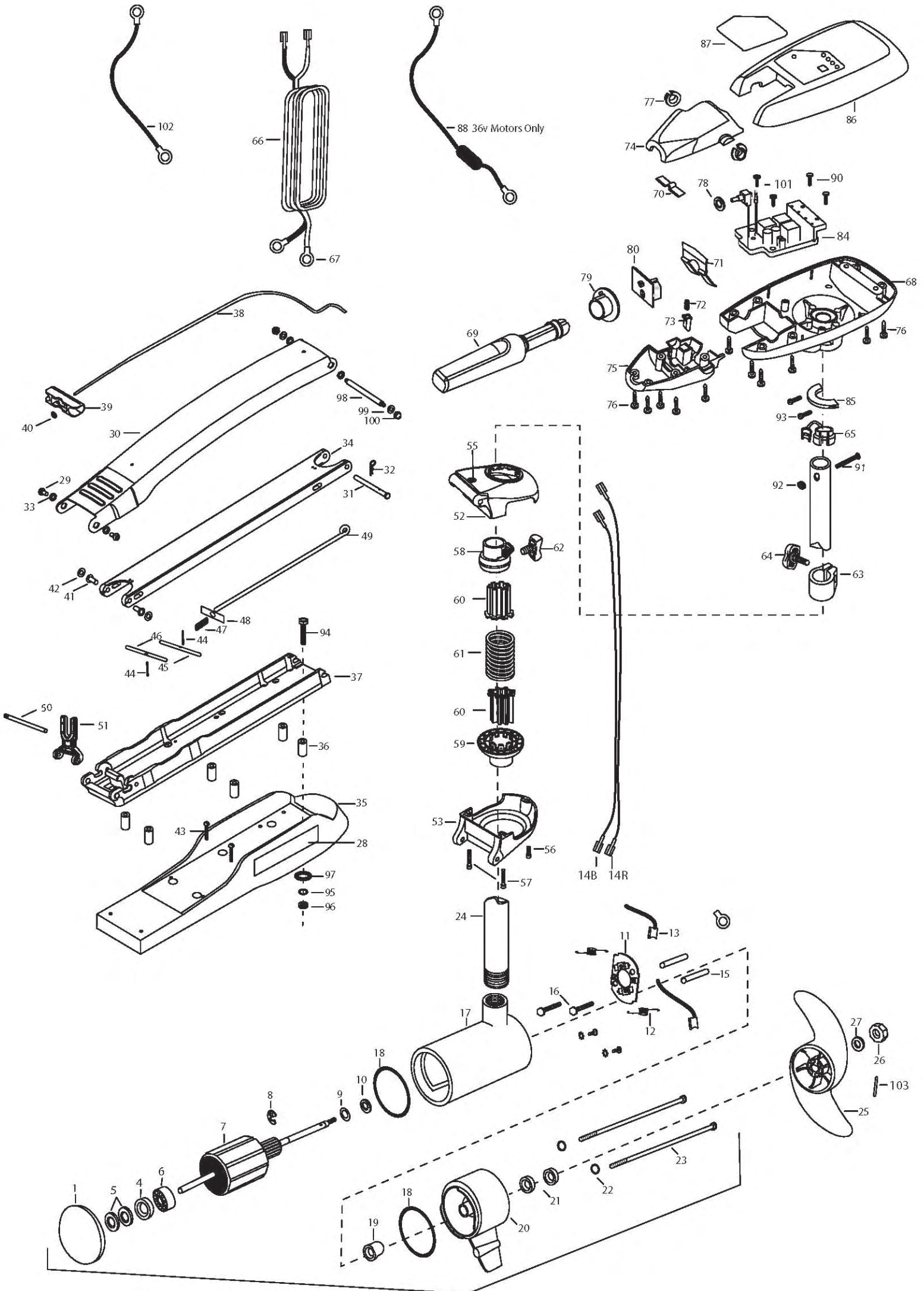


MAXXUM 101/H  
101 LBS THRUST  
36 VOLT 46 AMP  
52" SHAFT

for use with "AI" serial numbers  
3-year warranty from the date of purchase



|     |           |                                      |    |                   |         |         |                                     |
|-----|-----------|--------------------------------------|----|-------------------|---------|---------|-------------------------------------|
| 1   | 421-276   | PLAIN END HOUSING ASSEMBLY           |    | INCL 38-40, 44-49 | 70      | 2302742 | SPRING-DETENT(OFF)                  |
| 4   | 990-045   | THRUST SPACER                        | 35 | 2263912           | 71      | 2302743 | SPRING-DETENT,HANDLE-TILT           |
| 5   | 992-010   | SPRING WASHER [2.EA]                 | 36 | 2261505           | 72      | 2302745 | SPRING-RELEASE BUTTON               |
| 6   | 140-010   | BALL BEARING                         | 37 | 2773987           | 73      | 2303720 | RELEASE BUTTON-HANDLE               |
| 7   | 2-100-216 | ARMATURE ASSEMBLY                    | 38 | 2251601           | 74      | 2060409 | HANDLE (TOP HALF)MAXIMIZE           |
| 8   | 788-040   | RETAINING RING                       | 39 | 2150400           | 75      | 2060415 | HANDLE (LOWER HALF)                 |
| 9   | 990-051   | WASHER-THRUST, STEEL                 | 40 | 2151700           | 76      | 2303412 | SCREW-6-20 X 5/8 SELF TAP [11.EA]   |
| 10  | 990-052   | WASHER- NYLATRON                     | 41 | 2261708           | 77      | 2060005 | BEARING-HANDLE PIVOT [2.EA]         |
| 11  | 738-004   | BRUSH PLATE -4" TERMINAL             | 42 | 2267318           | 78      | 2181700 | WASHER, SPACER                      |
| 12  | 975-041   | SPRING -TORSION [2.EA]               | 43 | 2263434           | 79      | 2992852 | ACTUATOR-CAM                        |
| 13  | 188-094   | BRUSH W/TERMINAL [2.EA]              | 44 | 2152610           | 80      | 2184020 | POT ADAPTER                         |
| 14B | 640-018   | BRUSH WIRE-BLK 62"                   | 45 | 2233600           | 84      | 2184005 | CTRL BOARD ASSEMBLY 24/36V          |
| 14R | 640-123   | BRUSH WIRE- RED 64"                  | 46 | 2233602           | 85      | 2061515 | COLLAR-CTRL BOX (FRS-WTR)           |
| 15  | 973-025   | SPACER -BRUSH PLATE [2.EA]           | 47 | 2152700           | 86      | 2260290 | CTRL BOX CVR- BLK                   |
| 16  | 830-027   | SCREW -SELF TRDED 10-32 X 2" [2.EA]  | 48 | 2262703           | 87      | 2265622 | DECAL-COVER, MAX101/H               |
| 17  | 431-110   | HOUSING ASSEMBLY- CENTER             | 49 | 2153602           | 88      | 2998200 | CIRCUIT BREAKER ASSEMBLY36V-101     |
| 18  | 701-043   | O-RING [2.EA]                        | 50 | 2260506           | 90      | 2043427 | SCREW-8-18 X 7/8 THD [2.EA]         |
| 19  | 144-017   | BEARING -FLANGE (SERVICE ONLY)       | 51 | 2293811           | 91      | 2383407 | SCREW-10-24 X 2." PPH ZINC          |
| 20  | 2-300-160 | BRUSH END HOUSING ASSEMBLY           | ■  | 2994833           | 92      | 2383124 | NUT-10-24 NYLOCK ZINC PLT           |
| 21  | 880-025   | SEAL [2.EA]                          | ■  | 2991760           | 93      | 2263434 | SCREW-#8 X 1" PPH TYPE 25 SS [2.EA] |
| 22  | 701-009   | O-RING -THRU BOLT [2.EA]             | 52 | 2772319           | ■       | 2994830 | BAG ASSEMBLY-MAXXUM                 |
| 23  | 830-096   | THRU BOLT 12-24 X 11.56" SS [2.EA]   | 53 | 2991770           | *94     | 2263431 | SCREW 1/4-20 X 3.5 PPH [6.EA]       |
| ■   | 2316285   | MTR ASSEMBLY 36V 4" VARS [INCL.1-23] | 55 | 2772352           | *95     | 2261713 | WASHER-1/4 FLAT S/S [6.EA]          |
| 24  | 2032068   | TUBE-CARBON COMPOSITE 52"            | 56 | 2263423           | *96     | 2263103 | NUT-1/4-20 NYLOCK-JAM S/S [6.EA]    |
| ■   | 1378132   | PROPELLER KIT                        | 57 | 2263425           | *97     | 2301720 | WASHER-MOUNTING*RUBBER [6.EA]       |
| 25  | 2331160   | PROPELLER- W/WEDGE 2                 | 58 | 2261525           | 98      | 2262605 | PIN BWGRD UPPER THREADED ZP         |
| 26  | 2093101   | NUT-PROP,NYLOC (LARGE) MAX101        | 59 | 2261535           | 100     | 2223100 | NUT- TENSION 5/16-18 SS [2.EA]      |
| 27  | 2091701   | WASHER-PROP (LARGE) MAX 101          | 60 | 2264702           | 101     | 2043427 | SCREW- #8-18X7/8 SS [2.EA]          |
| 28  | 2265514   | DECAL- MAX MOTOR REST [2.EA]         | 61 | 2262704           | 102     | 2340610 | CONNECTOR CABLE                     |
| ■   | 2771866   | MOUNT/BOWGUARD ASSEMBLY FW STD       | 62 | 2011365           | 103     | 2262658 | DRIVE PIN                           |
| ■   | 2991840   | MOUNT BOW ASSY, FW STD, W/O BGRD     | 63 | 2031520           |         |         |                                     |
| 29  | 2263500   | BOLT, SHOULDER (MAXXUM) [2.ea]       | 64 | 2011365           | 99      | 2261722 | washer                              |
| 30  | 2264241   | ARM-UPPER FW,STD                     | 65 | 2052900           |         |         |                                     |
| 31  | 2262607   | PIN- CLEVIS ZP MAX BWGRD             | 66 | 2090600           |         |         |                                     |
| 32  | 2260805   | CLIP-SPRING ZP MAX BWGRD             | 67 | 2020700           | 2889460 |         | seal & oring kit                    |
| 33  | 2293501   | BUSHING, STAINLESS STEEL [4.EA]      | 68 | 2062592           |         |         |                                     |
| 34  | 2994307   | ARM-LOWER ASSEMBLY STD,FW,EXT        | 69 | 2990914           |         |         |                                     |

\* This item is part of an assembly. This item cannot be sold separately due to machining and /or assembly that is required.

P/N 2274971 REV. J 3-08

