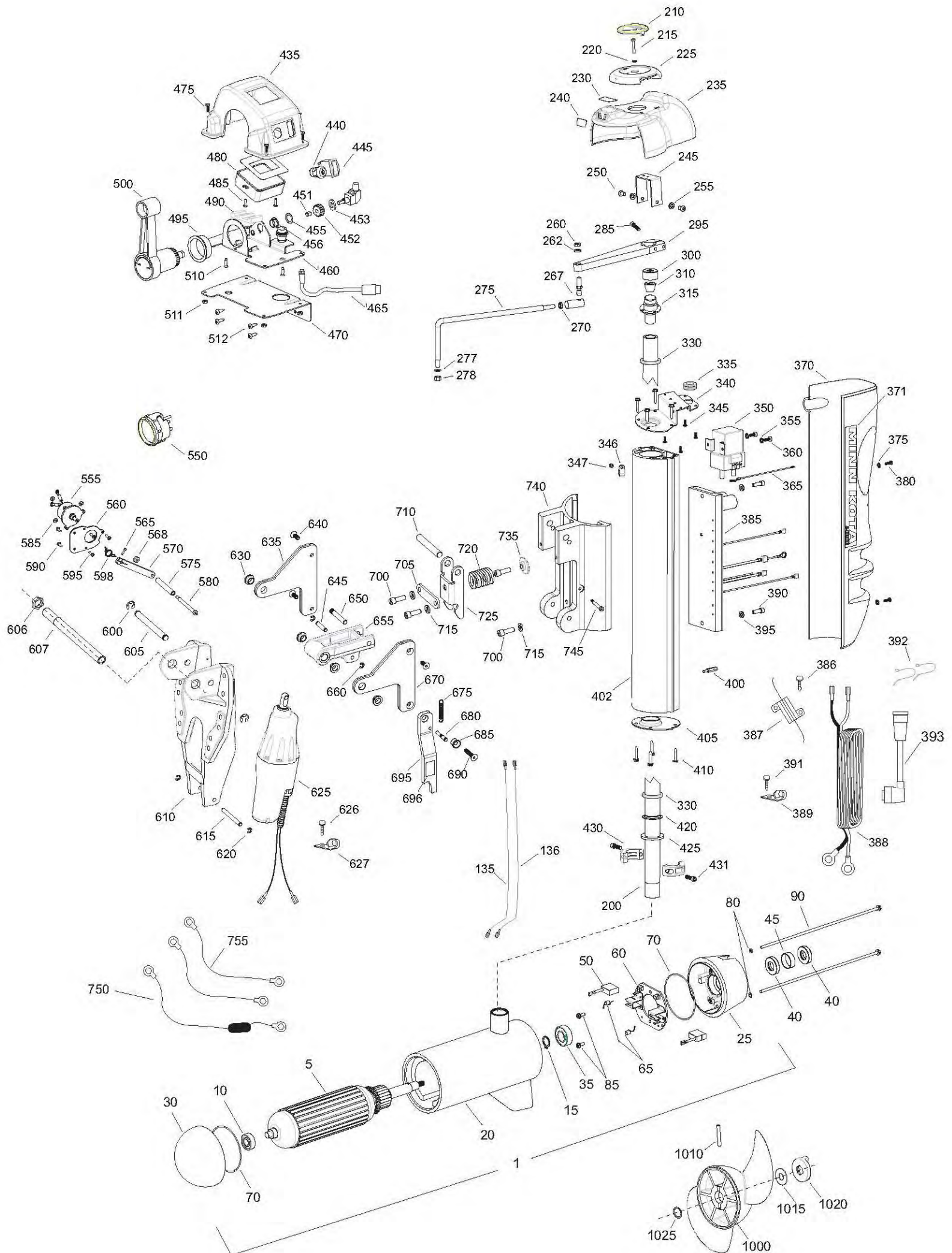


E-Drive Remote Steer

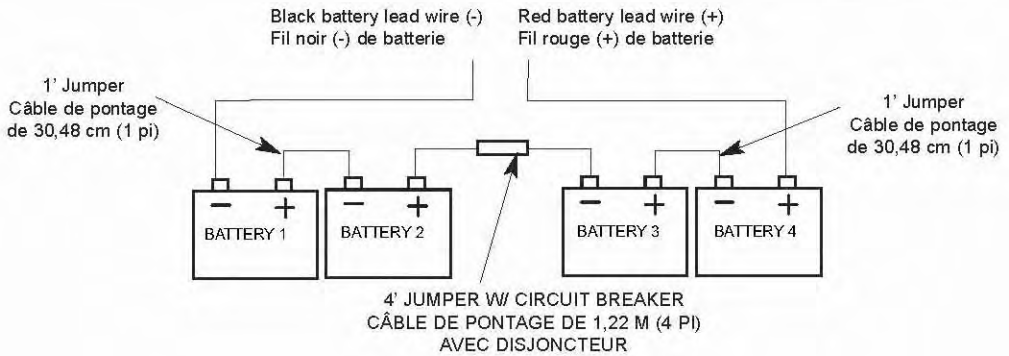
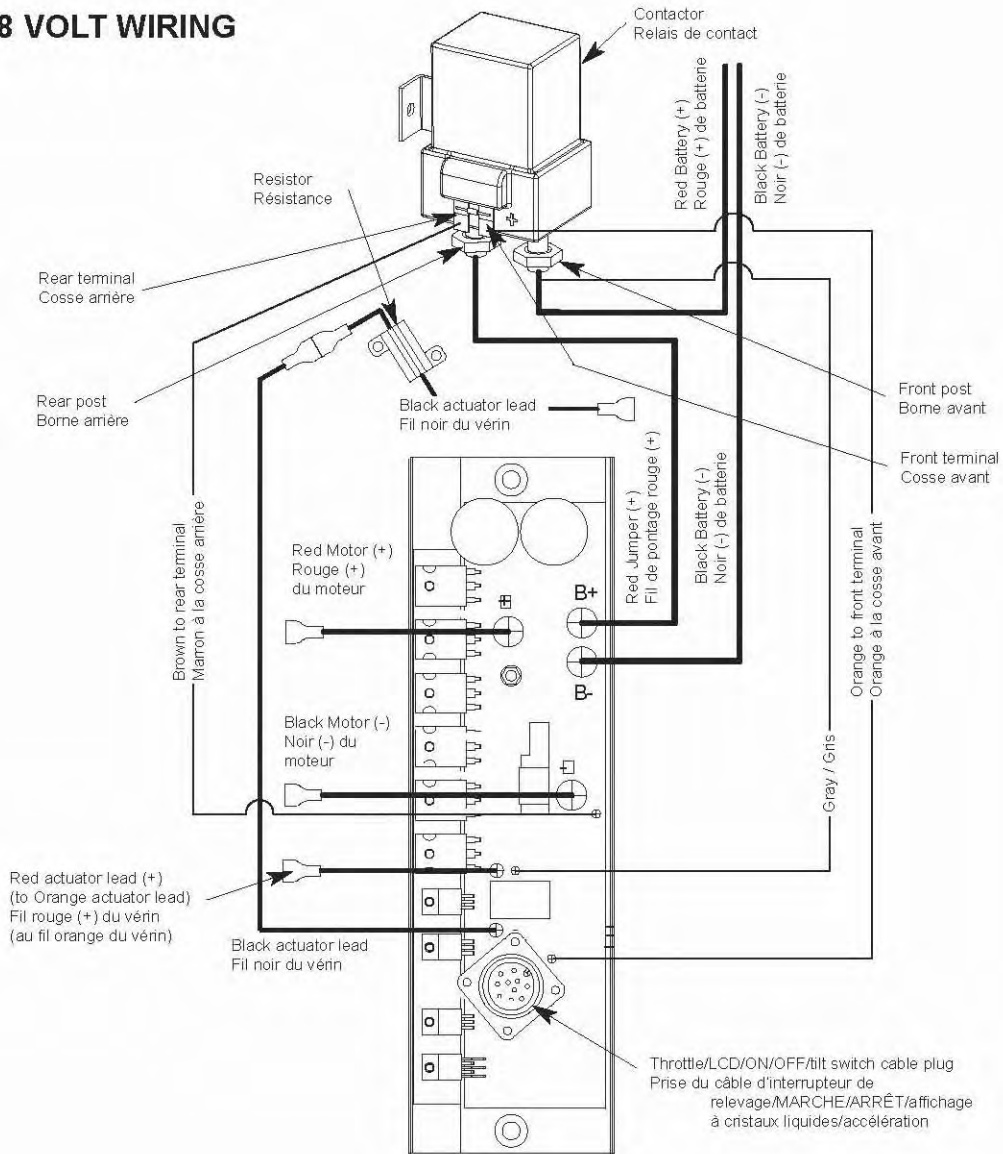
for use with 2008 models with serial numbers less than MKAI4018040

2-year warranty from the date of purchase



| Item | P/N | Description | Qty | Item | P/N | Description | Qty | Item | P/N | Description | Qty | Item | P/N | Description | Qty |
|------|-----------|----------------------------|-----|------|---------|------------------------------------|-----|------|----------|-------------------------------|-----|------|---------|---------------------------------|-----|
| 1 | 2357000 | Motor Assembly | 1 | 360 | 2223454 | Screw, 10-32 x 1/2 | 2 | 570 | 2044221 | Tilt sender arm | 1 | | | | |
| 5 | 2-100-210 | Armature assembly | 1 | 365 | 2040600 | Wire, connecting 10 ga red | 1 | 575 | 2042005 | Roller tube | 1 | ■ | 2994882 | Mounting bag kit (3/8 hardware) | 1 |
| 10 | 140-011 | Bearing, plain end | 1 | 370 | 2050220 | Shield, extrusion, vantage | 2 | 580 | 2043500 | Shoulder bolt | 1 | | | | |
| 15 | 788-075 | Retaining ring | 1 | 371 | 2045611 | Decal, shield, E-drive | 1 | 585 | 2043112 | Nut, #6 | 3 | | | | |
| 20 | 2-200-210 | Center housing assembly | 1 | 375 | 2371715 | Lockwasher, #8 | 2 | 590 | 2053415 | Screw #8 | 2 | | | | |
| 25 | 2-300-210 | Brush end housing assembly | 1 | 380 | 2332101 | Screw, 8-32 x 1/2 | 2 | 595 | 2043400 | Screw #6 | 3 | | | | |
| 30 | 421-310 | Plain end housing assembly | 1 | 385 | 2044006 | Control Board, E-drive | 1 | 598 | 2042711 | Torsion spring | 1 | | | | |
| 35 | 140-013 | Bearing, brush end | 1 | 386 | 2043418 | Screw, 4-40 x 3/8 | 2 | 600 | 2043000 | E-ring, .500 | 2 | | | | |
| 40 | 880-027 | Seal | 2 | 387 | 2994071 | Resistor, E-drive | 1 | 605 | 2042614 | Pin, pivot, upper | 1 | | | | |
| 45 | 725-097 | Paper tube | 1 | 388 | 2040605 | Leadwire, prime power | 1 | 606 | 9950825 | Nut, steering, hex | 1 | | | | |
| 50 | 188-096 | Brush | 2 | 389 | 2052512 | Cable clamp, 1/2 | 1 | 607 | 2042000 | steering tube | 1 | | | | |
| 60 | 2-600-210 | Brush plate assembly | 1 | 390 | 9954533 | Screw, 1/4-20 x 3/4 SHCS | 2 | 610 | 2041981 | Bracket, machined | 1 | | | | |
| 65 | 975-041 | Brush spring | 2 | 391 | 2053415 | Screw, 8-32 x 3/8 | 1 | 615 | 2042612 | Pin, lower, actuator | 1 | | | | |
| 70 | 701-044 | O-ring, motor | 2 | 392 | 9950433 | Tie wrap | 4 | 620 | 2263006 | E-ring 5/16 | 4 | | | | |
| 80 | 701-009 | O-ring, thru-bolt | 2 | 393 | 2041401 | Cable, throttle control board | 1 | 625 | 2992802 | Actuator assy w/ terminals | 1 | | | | |
| 85 | 2053410 | Screw, 8-32 | 2 | 395 | 9950357 | Lockwasher, 1/4 | 2 | 626 | 2053415 | Screw, 8-32 x 3/8 | 2 | | | | |
| 90 | 830-096 | Thru-bolt | 2 | 400 | 2042911 | Stand-off | 1 | 627 | 2040720 | Clamp, cable 1/4 | 2 | | | | |
| 135 | 640-030 | Leadwire, black | 1 | 402 | 2046510 | Extrusion, main, E-drive | 1 | 630 | 2047302 | Bearing, flange | 4 | | | | |
| 136 | 640-130 | Leadwire, red | 1 | 405 | 2040200 | Cap-bottom, E-drive | 1 | 635 | 2770801 | Link, upper, right side | 1 | | | | |
| 200 | 2042011 | Tube, Motor | 1 | 410 | 2053413 | Screw 10-16 x 1 type AB | 8 | 640 | 2043420 | Screw, 5/16-18 x 3/4 | 3 | | | | |
| 210 | 2056700 | Pointer | 1 | 420 | 2266115 | Bearing cone | 1 | 645 | 2042610 | Pin, upper, actuator | 1 | | | | |
| 215 | 2263447 | Screw, #8 | 1 | 425 | 2041700 | Washer 1 3/16 x 1 3/4 | 1 | 650 | 2042618 | Pin, latch, breakaway | 1 | | | | |
| 220 | 2371715 | Lockwasher, #8 | 1 | 430 | 2261622 | Collar half, alum | 2 | ■ | 2774305 | Arm assy [655, 630(2)] | 1 | | | | |
| 225 | 2050110 | Pointer knob | 1 | 431 | 2263453 | Screw, 1/4-20 x 1 SHCS | 2 | 655 | 2044301 | Arm- actuator, machined | 1 | | | | |
| 230 | 2045600 | Decal, top | 1 | ■ | 2770216 | Throttle assembly [435-512] | 1 | 660 | 2263006 | E-ring, 5/16 | 4 | | | | |
| 235 | 2050210 | Shroud | 1 | 435 | 2040215 | Throttle cover | 1 | 670 | 2770802 | Link, upper, left side | 1 | | | | |
| 240 | 2045610 | Decal, side | 1 | 440 | 2044025 | Switch, key | 1 | 675 | 2042722 | Spring, extension | 1 | | | | |
| 245 | 2041910 | Bracket, indicator | 1 | 445 | 2044020 | Switch, tilt | 1 | 680 | 2062624 | Pin, stabilizer | 1 | | | | |
| 250 | 2043416 | Screw, 1/4-28 BHCS | 2 | 451 | 2042705 | Spring knob | 1 | 685 | 2047320 | Bushing, tilt arm | 1 | | | | |
| 255 | 9950357 | Lockwasher, 1/4 | 2 | 452 | 2042200 | Gear, potentiometer | 1 | 690 | 2043428 | Screw, 5/16-18 x 1 1/2 | 1 | | | | |
| ■ | 2774211 | Drag link assy | 1 | 453 | 2041506 | Spacer | | 695 | 2774309 | Arm, stabilizer [695-696] | 1 | | | | |
| 260 | 2383104 | Nut, 3/8-24 nylock | 1 | 455 | 2043110 | Nut, speed | 1 | 696 | 2045630 | Warning Decal | 1 | | | | |
| 262 | 9909003 | Lockwasher, 3/8 | 1 | 456 | 2047315 | Bearing, nyliner | 1 | 700 | 9954533 | Screw, 1/4-20 x 3/4 SHCS | 4 | | | | |
| 265 | 2383515 | Quick disconnect | 1 | 460 | 2041915 | Base, throttle | 1 | 705 | 2041940 | Plate, latch, breakaway | 1 | | | | |
| 270 | 2263105 | Nut, 3/8-24 | 1 | 465 | 2041402 | Cable, throttle (17') | 1 | 710 | 2042616 | Pin, upper, breakaway | 1 | | | | |
| 275 | 2044211 | Drag link | 1 | 470 | 2041930 | Bracket, mounting | 1 | 715 | 9950357 | Lockwasher 1/4 | 4 | | | | |
| 277 | 990-067 | Washer, thrust | 1 | 475 | 2332101 | Screw, #8-32 | 4 | 720 | 2042715 | Spring, breakaway | 1 | | | | |
| 278 | 2263105 | Nut, 3/8-24 | 1 | 480 | 2044011 | LCD/Cable assy [465] | 1 | 725 | 2047200 | Latch, breakaway | 1 | | | | |
| 285 | 2263453 | Bolt 1/4-20 x 1 | 1 | 485 | 2302100 | Screw, #6 | 2 | 735 | 2041500 | Shim washer, breakaway | 1 | | | | |
| 295 | 2044200 | Arm, steering | 1 | 490 | 2042701 | Spring, handle | 1 | 740 | 2041810 | Extrusion, breakaway | 1 | | | | |
| 300 | 9950339 | Cap, motor fitting | 1 | 500 | 2880900 | Throttle handle w/ decal | 1 | 745 | 2043504 | Bolt, shoulder 1/4-20 x 1 1/4 | 1 | | | | |
| 310 | 2382900 | Grommet, split | 1 | 510 | 2043408 | Screw, #8 | 2 | 750 | 299-8200 | Circuit breaker assy | 1 | | | | |
| 315 | 2046201 | Bearing race, main E-drive | 1 | 511 | 2303112 | Nut, #8-32 | 4 | 755 | 234-0610 | Connector cable | 2 | | | | |
| 325 | 2042620 | Pin, spring | 1 | 512 | 2043412 | Screw, #8-18 | 4 | | | | | | | | |
| 330 | 2266000 | Beaing, steel ball | 1 | 550 | 2044030 | Tilt gauge | 1 | ■ | 1378140 | Propeller kit | 1 | | | | |
| 335 | 2042905 | Grommet | 1 | ■ | 2778407 | Tilt send assy w/o gauge [555-598] | 1 | 1010 | 2352602 | Drive pin | 1 | | | | |
| 340 | 2040207 | Cap-top | 1 | 555 | 2998405 | Potentiometer assy | 1 | 1015 | 2091701 | Washer, prop | 1 | | | | |
| 345 | 2372100 | Screw, 8-18 x 5/8 | 5 | 560 | 2041937 | Tilt bracket | 1 | 1020 | 2198401 | Nut, nylock, prop, Anode | 1 | | | | |
| 350 | 2040700 | Contactora | 1 | 565 | 2043402 | Screw, #4 | 1 | 1025 | 2374611 | O-ring, prop | 1 | | | | |
| 355 | 2261718 | Washer, lock - #10 | 2 | 568 | 2013110 | Nut, #10-24 | 1 | | | | | | | | |

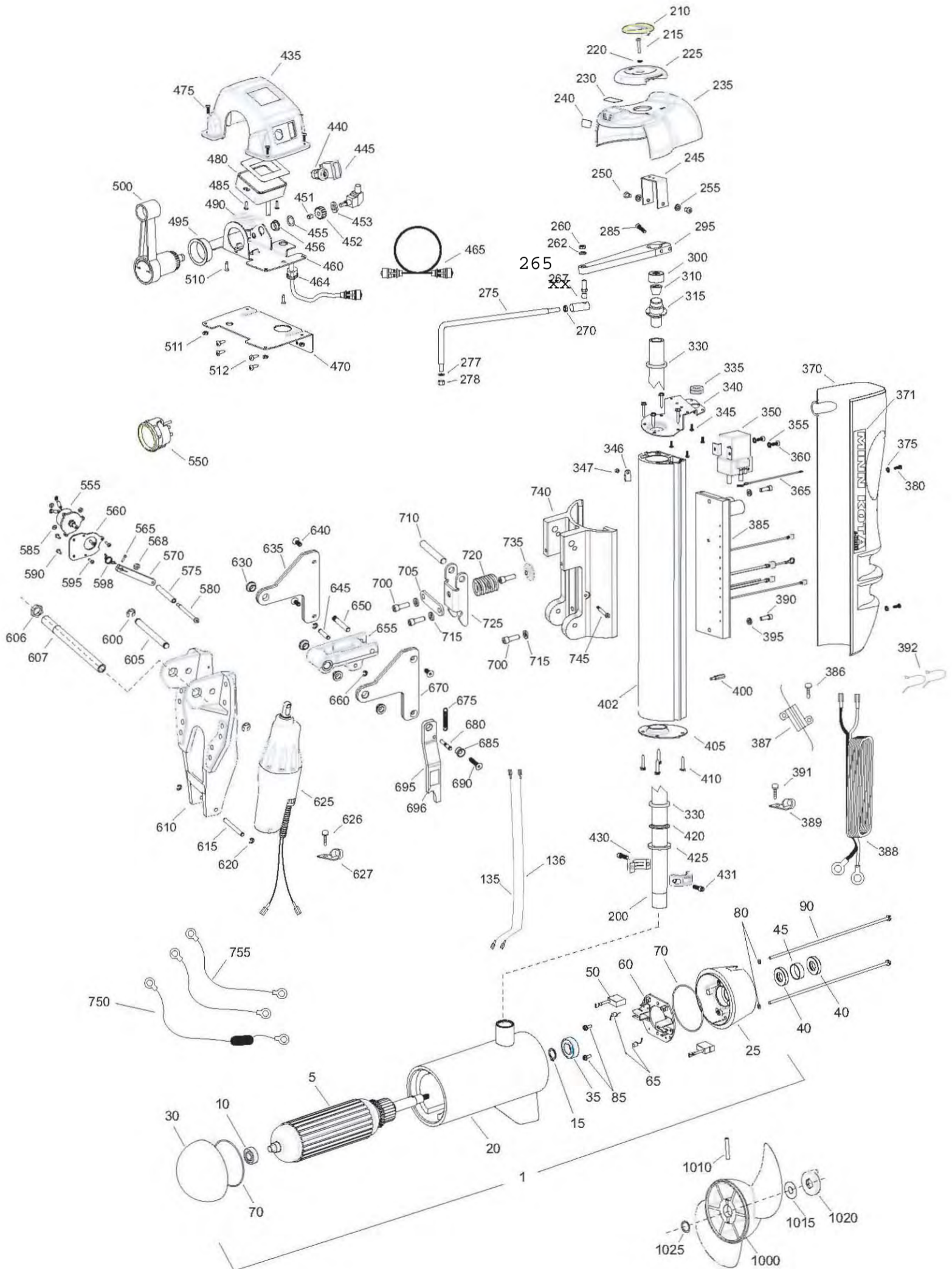
48 VOLT WIRING



E-Drive Remote Steer

for use with 2008 models with serial numbers greater than MKAI4018039

2-year warranty from the date of purchase



| Item | P/N | Description | Qty | Item | P/N | Description | Qty | Item | P/N | Description | Qty |
|------|-----------|----------------------------|-----|------|---------|------------------------------------|-----|------|---------|-------------------------------|-----|
| 1 | 2357000 | Motor Assembly | 1 | 360 | 2223454 | Screw, 10-32 x 1/2 | 2 | 575 | 2042005 | Roller tube | 1 |
| 5 | 2-100-210 | Armature assembly | 1 | 365 | 2040600 | Wire, connecting 10 ga red | 1 | 580 | 2043500 | Shoulder bolt | 1 |
| 10 | 140-011 | Bearing, plain end | 1 | 370 | 2050220 | Shield, extrusion, vantage | 2 | 585 | 2043112 | Nut, #6 | 3 |
| 15 | 788-075 | Retaining ring | 1 | 371 | 2045611 | Decal, shield, E-drive | 1 | 590 | 2053415 | Screw #8 | 2 |
| 20 | 2-200-220 | Center housing assembly | 1 | 375 | 2371715 | Lockwasher, #8 | 2 | 595 | 2043400 | Screw #6 | 3 |
| 25 | 2-300-210 | Brush end housing assembly | 1 | 380 | 2332101 | Screw, 8-32 x 1/2 | 2 | 598 | 2042711 | Torsion spring | 1 |
| 30 | 421-310 | Plain end housing assembly | 1 | 385 | 2044007 | Control Board, E-drive | 1 | 600 | 2043000 | E-ring, .500 | 2 |
| 35 | 140-013 | Bearing, brush end | 1 | 386 | 2043418 | Screw, 4-40 x 3/8 | 2 | 605 | 2042614 | Pin, pivot, upper | 1 |
| 40 | 880-027 | Seal | 2 | 387 | 2994071 | Resistor, E-drive | 1 | 606 | 9950825 | Nut, steering, hex | 1 |
| 45 | 725-097 | Paper tube | 1 | 388 | 2040605 | Leadwire, prime power | 1 | 607 | 2042000 | steering tube | 1 |
| 50 | 188-096 | Brush | 2 | 389 | 2052512 | Cable clamp, 1/2 | 1 | 610 | 2041981 | Bracket, machined | 1 |
| 60 | 2-600-210 | Brush plate assembly | 1 | 390 | 9954533 | Screw, 1/4-20 x 3/4 SHCS | 2 | 615 | 2042612 | Pin, lower, actuator | 1 |
| 65 | 975-041 | Brush spring | 2 | 391 | 2053415 | Screw, 8-32 x 3/8 | 1 | 620 | 2263006 | E-ring 5/16 | 4 |
| 70 | 701-044 | O-ring, motor | 2 | 392 | 9950433 | Tie wrap | 4 | 625 | 2992802 | Actuator assy w/ terminals | 1 |
| 80 | 701-009 | O-ring, thru-bolt | 2 | 395 | 9950357 | Lockwasher, 1/4 | 2 | 626 | 2053415 | Screw, 8-32 x 3/8 | 2 |
| 85 | 2053410 | Screw, 8-32 | 2 | 400 | 2042911 | Stand-off | 1 | 627 | 2040720 | Clamp, cable 1/4 | 2 |
| 90 | 830-096 | Thru-bolt | 2 | 402 | 2046510 | Extrusion, main, E-drive | 1 | 630 | 2047302 | Bearing, flange | 4 |
| 135 | 640-030 | Leadwire, black | 1 | 405 | 2040200 | Cap-bottom, E-drive | 1 | 635 | 2770801 | Link, upper, right side | 1 |
| 136 | 640-130 | Leadwire, red | 1 | 410 | 2053413 | Screw 10-16 x 1 type AB | 8 | 640 | 2043420 | Screw, 5/16-18 x 3/4 | 3 |
| 200 | 2042011 | Tube, Motor | 1 | 420 | 2266115 | Bearing cone | 1 | 645 | 2042610 | Pin, upper, actuator | 1 |
| 210 | 2056700 | Pointer | 1 | 425 | 2041700 | Washer 1 3/16 x 1 3/4 | 1 | 650 | 2042618 | Pin, latch, breakaway | 1 |
| 215 | 2263447 | Screw, #8 | 1 | 430 | 2261622 | Collar half, alum | 2 | ■ | 2774305 | Arm assy [655, 630(2)] | 1 |
| 220 | 2371715 | Lockwasher, #8 | 1 | 431 | 2263453 | Screw, 1/4-20 x 1 SHCS | 2 | 655 | 2044301 | Arm- actuator, machined | 1 |
| 225 | 2050110 | Pointer knob | 1 | ■ | 2770217 | Throttle assembly [435-512] | 1 | 660 | 2263006 | E-ring, 5/16 | 4 |
| 230 | 2045600 | Decal, top | 1 | 435 | 2040215 | Throttle cover | 1 | 670 | 2770802 | Link, upper, left side | 1 |
| 235 | 2050210 | Shroud | 1 | 440 | 2044025 | Switch, key | 1 | 675 | 2042722 | Spring, extension | 1 |
| 240 | 2045610 | Decal, side | 1 | 445 | 2044020 | Switch, tilt | 1 | 680 | 2062624 | Pin, stabilizer | 1 |
| 245 | 2041910 | Bracket, indicator | 1 | 451 | 2042705 | Spring knob | 1 | 685 | 2047320 | Bushing, tilt arm | 1 |
| 250 | 2043416 | Screw, 1/4-28 BHCS | 2 | 452 | 2042200 | Gear, potentiometer | 1 | 690 | 2043428 | Screw, 5/16-18 x 1 1/2 | 1 |
| 255 | 9950357 | Lockwasher, 1/4 | 2 | 455 | 2043110 | Nut, speed | 1 | 695 | 2774309 | Arm, stabilizer [695-696] | 1 |
| ■ | 2774211 | Drag link assy | 1 | 456 | 2047315 | Bearing, nyliner | 1 | 696 | 2045630 | Warning Decal | 1 |
| 260 | 2383104 | Nut, 3/8-24 nylock | 1 | 460 | 2041915 | Base, throttle | 1 | 700 | 9954533 | Screw, 1/4-20 x 3/4 SHCS | 4 |
| 262 | 9909003 | Lockwasher, 3/8 | 1 | 464 | 2042900 | Strain relief | 1 | 705 | 2041940 | Plate, latch, breakaway | 1 |
| 265 | 2383515 | Quick disconnect | 1 | 465 | 2047412 | Cable, throttle | 1 | 710 | 2042616 | Pin, upper, breakaway | 1 |
| 270 | 2263105 | Nut, 3/8-24 | 1 | 470 | 2041930 | Bracket, mounting | 1 | 715 | 9950357 | Lockwasher 1/4 | 4 |
| 275 | 2044211 | Drag link | 1 | 475 | 2332101 | Screw, #8-32 | 4 | 720 | 2042715 | Spring, breakaway | 1 |
| 277 | 990-067 | Washer, thrust | 1 | 480 | 2044014 | LCD/Cable assy [465] | 1 | 725 | 2047200 | Latch, breakaway | 1 |
| 278 | 2263105 | Nut, 3/8-24 | 1 | 485 | 2302100 | Screw, #6 | 2 | 735 | 2041500 | Shim washer, breakaway | 1 |
| 285 | 2263453 | Bolt 1/4-20 x 1 | 1 | 490 | 2042701 | Spring, handle | 1 | 740 | 2041810 | Extrusion, breakaway | 1 |
| 295 | 2044200 | Arm, steering | 1 | 500 | 2880900 | Throttle handle w/ decal | 1 | 745 | 2043504 | Bolt, shoulder 1/4-20 x 1 1/4 | 1 |
| 300 | 9950339 | Cap, motor fitting | 1 | 510 | 2043408 | Screw, #8 | 2 | 750 | 2998200 | Circuit breaker assy | 1 |
| 310 | 2382900 | Grommet, split | 1 | 511 | 2303112 | Nut, #8-32 | 4 | 755 | 2340610 | connector cable | 2 |
| 315 | 2046201 | Bearing race, main E-drive | 1 | 512 | 2043412 | Screw, #8-18 | 4 | | | | |
| 325 | 2042620 | Pin, spring | 1 | 550 | 2044030 | Tilt gauge | 1 | ■ | 1378140 | Propeller kit | 1 |
| 330 | 2266000 | Beaing, steel ball | 1 | ■ | 2778407 | Tilt send assy w/o gauge [555-598] | 1 | 1010 | 2352602 | Drive pin | 1 |
| 335 | 2042905 | Grommet | 1 | 555 | 2998405 | Potentiometer assy | 1 | 1015 | 2091701 | Washer, prop | 1 |
| 340 | 2040207 | Cap-top | 1 | 560 | 2041937 | Tilt bracket | 1 | 1020 | 2198401 | Nut, nylock, prop, Anode | 1 |
| 345 | 2372100 | Screw, 8-18 x 5/8 | 5 | 565 | 2043402 | Screw, #4 | 1 | 1025 | 2374611 | O-ring, prop | 1 |
| 350 | 2040700 | Contacto | 1 | 568 | 2013110 | Nut, #10-24 | 1 | | | | |
| 355 | 2261718 | Washer, lock - #10 | 2 | 570 | 2044221 | Tilt sender arm | 1 | | | 2884460 seal & oring kit | |

* This item is part of an assembly. This item cannot be sold separately due to machining and /or assembly that is required. P/N 2047102

48 VOLT WIRING

