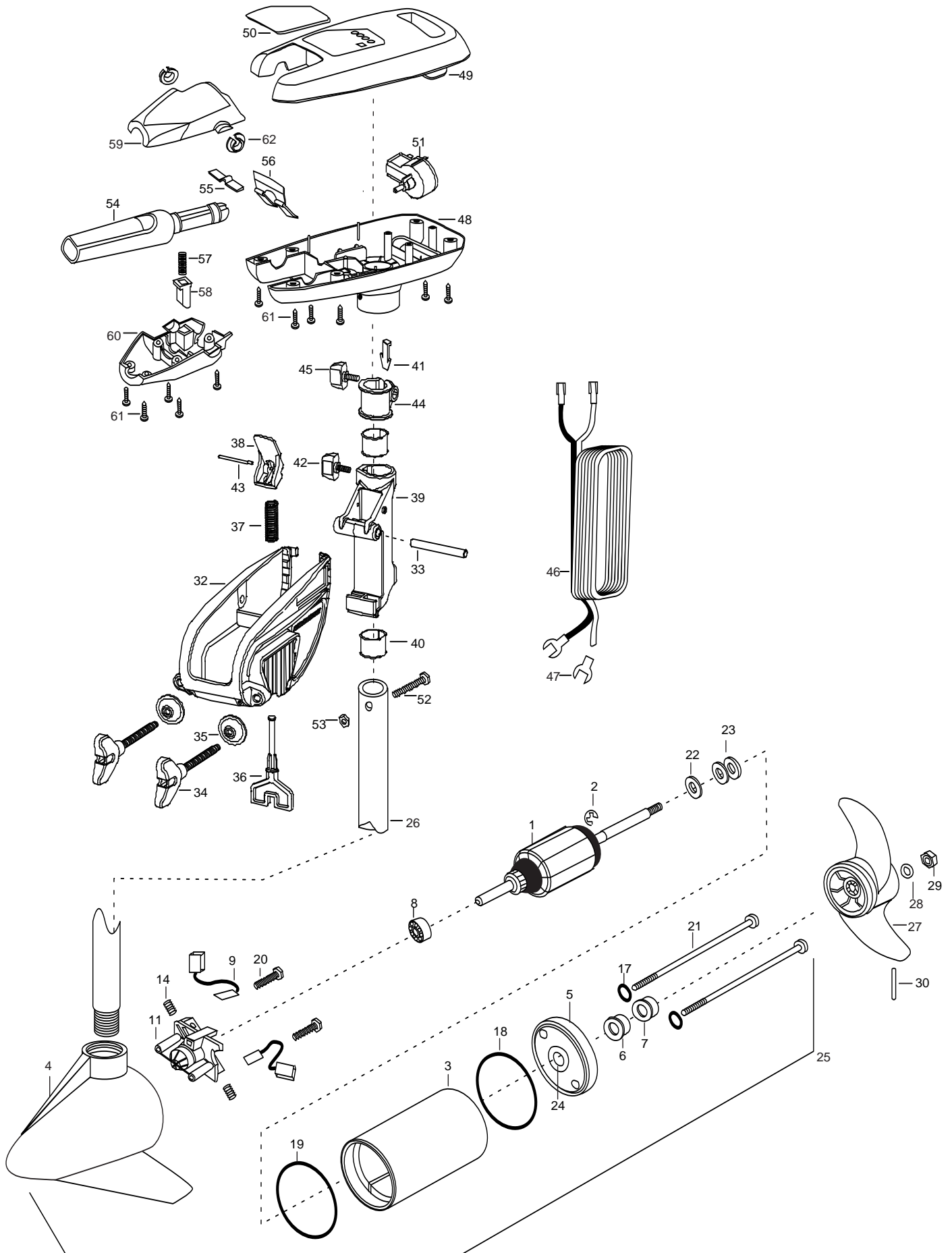


30 TURBO  
30LBS. THRUST  
12 VOLT AMPS  
36" SHAFT

for use with "AI" serial numbers **less than MKAI4102091**  
2-year warranty from the date of purchase



1	2-100-277	ARMATURE ASSEMBLY 12V 3.25 5SPDC TXT	*35	2011710	WASHER- CLAMP SCREW 1.5OD
2	788-015	RETAINING RING	■	2881300	CLAMP SCREW, WASHER, RETAINERKIT
3	2-200-177	HOUSING ASSEMBLY CENTER 3.25 TXT	36	2063605	T-BAR PLASTIC
4	2-300-132	BRUSH END HOUSING ASSEMBLY3.25 SP CO	37	2062706	SPRING- T-BAR ENDURA
5	2-400-128	PLAIN END HOUSING ASSEMBLY	38	2067201	LEVER- TILT BLACK
6	880-003	SEAL	39	2061810	HINGE-PLASTIC
7	880-006	SEAL W/SHIELD	40	2037301	BUSHING-HINGE [2.EA]
8	140-010	BALL BEARING	41	2062800	TENSION BLOCK- SNAP IN
9	188-052	BRUSH ASSEMBLY [2.EA]	42	2011385	SCREW-TENSION/NEW KNOB
11	738-030	BRUSH PLATE W/HOLDER 3.25	43	2060515	PIN- TILT LEVER
14	975-032	SPRING- COMPRESSION [2.EA]	44	2061520	COLLAR-DEPTH ((ENDURA)
17	701-007	O-RING- THRU BOLT [2.EA]	45	2011365	SCREW-COLLAR W/NEW KNOB
18	701-039	O-RING MK406460	46	2050609	LEADWIRE 10 GA SPADE TERM
19	701-041	O-RING	47	2020702	TERMINAL- SPADE 10GA [2.EA]
20	830-001	SCREW- SELF THREAD [2.EA]	48	2062551	CONTROL BOX-PLAS W/HAND
21	830-076	THRU BOLT 8-32X8.0 [2.EA]	49	2060281	CONTROL BOX COVER- BLK
22	990-067	WASHER- STEEL	50	2065657	DECAL COVER-30T
23	990-070	WASHER- NYLATRON [2.EA]	51	2064023	SWITCH-FWD/REV COMBO-5 SP
24	144-049	FLANGE BEARING (SERVICE ONLY)	52	2033400	SCREW-10-24 X 1-3/4
25	2069261	MOTOR ASSEMBLY 12V 3.25 5SPC	53	2013110	NUT-HEX ZINC/CAD PLATE
26	2032052	TUBE- COMPOSITE 36"	54	2990912	HANDLE ASSEMBLY W/U-JOINT 5SP
■	1378126	PROP KIT	55	2302742	SPRING-DETENT OFF SS
27	2061125	PROP- WEEDLESS WEDGE	56	2302743	SPRING-DETENT HANDLE
28	2151726	WASHER- 5/15 STD SS	57	2302745	SPRING-RELEASE BUTTON SS
29	2053101	NUT-PROP NYLOC 5/16 SS	58	2303720	RELEASE BUTTON-HANDLE
30	2092600	PIN-DRIVE SS	59	2060408	HANDLE- TOP HALF
■	2771818	BRACKET & HINGE ASSEMBLY	60	2060415	HANDLE- LOWER HALF
■	2771910	BRACKET W/CLAMP SCREW ASSEMBLY	61	2303412	SCREW-6-20 X 5/8 SELF TAP [11.EA]
		(INCL.32,34,35)	62	2060005	BEARING-HANDLE PIVOT [2.EA]
*32	2061910	BRACKET PLASTIC			
33	2060510	PIN-HINGE- ENDURA			
*34	2061300	SCREW- CLAMP			

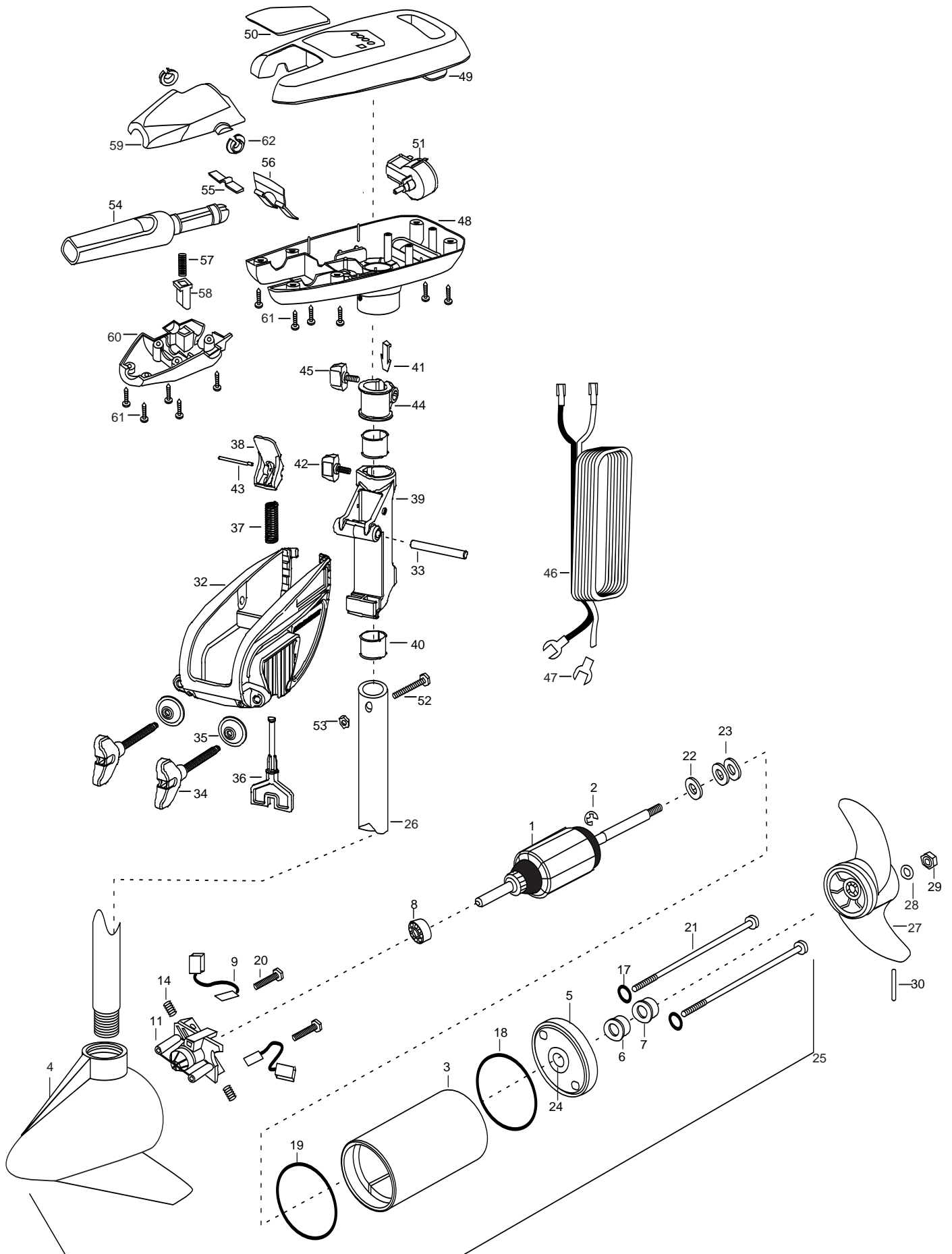
Seal & O-ring Kit p/n 2883460

\* This item is part of an assembly. This item cannot be sold separately due to machining and /or assembly that is required.

/N 2064943 REV. B 10-06

**30 TURBO**  
**30LBS. THRUST**  
**12 VOLT 30 AMPS**  
**36" SHAFT**

for use with "AI" serial numbers **greater than MKAI4102091**  
2-year warranty from the date of purchase



1	2-100-287	ARMATURE ASSEMBLY 12V 3.25 5SPDC TXT	*35	2011710	WASHER- CLAMP SCREW 1.50D
2	788-015	RETAINING RING	■	2881300	CLAMP SCREW, WASHER, RETAINERKIT
3	2-200-188	HOUSING ASSEMBLY CENTER 3.25 TXT	36	2063605	T-BAR PLASTIC
4	2-300-132	BRUSH END HOUSING ASSEMBLY3.25 SP CO	37	2062706	SPRING- T-BAR ENDURA
5	2-400-187	PLAIN END HOUSING ASSEMBLY	38	2067201	LEVER- TILT BLACK
6	880-003	SEAL	39	2061810	HINGE-PLASTIC
7	880-006	SEAL W/SHIELD	40	2037301	BUSHING-HINGE [2.EA]
8	140-010	BALL BEARING	41	2062800	TENSION BLOCK- SNAP IN
9	188-052	BRUSH ASSEMBLY [2.EA]	42	2011385	SCREW-TENSION/NEW KNOB
11	738-030	BRUSH PLATE W/HOLDER 3.25	43	2060515	PIN- TILT LEVER
14	975-032	SPRING- COMPRESSION [2.EA]	44	2061520	COLLAR-DEPTH ((ENDURA)
17	701-007	O-RING- THRU BOLT [2.EA]	45	2011365	SCREW-COLLAR W/NEW KNOB
18	701-039	O-RING MK406460	46	2050609	LEADWIRE 10 GA SPADE TERM
19	701-041	O-RING	47	2020702	TERMINAL- SPADE 10GA [2.EA]
20	830-001	SCREW- SELF THREAD [2.EA]	48	2062551	CONTROL BOX-PLAS W/HAND
21	830-062	THRU BOLT 8-32X8.0 [2.EA]	49	2060281	CONTROL BOX COVER- BLK
22	990-067	WASHER- STEEL	50	2065657	DECAL COVER-30T
23	990-070	WASHER- NYLATRON [2.EA]	51	2064023	SWITCH-FWD/REV COMBO-5 SP
24	144-049	FLANGE BEARING (SERVICE ONLY)	52	2033400	SCREW-10-24 X 1-3/4
25	2069261	MOTOR ASSEMBLY 12V 3.25 5SPC	53	2013110	NUT-HEX ZINC/CAD PLATE
26	2032052	TUBE- COMPOSITE 36"	54	2990912	HANDLE ASSEMBLY W/U-JOINT 5SP
■	1378126	PROP KIT	55	2302742	SPRING-DETENT OFF SS
27	2061125	PROP- WEEDLESS WEDGE	56	2302743	SPRING-DETENT HANDLE
28	2151726	WASHER- 5/15 STD SS	57	2302745	SPRING-RELEASE BUTTON SS
29	2053101	NUT-PROP NYLOC 5/16 SS	58	2303720	RELEASE BUTTON-HANDLE
30	2092600	PIN-DRIVE SS	59	2060408	HANDLE- TOP HALF
■	2771818	BRACKET & HINGE ASSEMBLY	60	2060415	HANDLE- LOWER HALF
■	2771910	BRACKET W/CLAMP SCREW ASSEMBLY (INCL.32,34,35)	61	2303412	SCREW-6-20 X 5/8 SELF TAP [11.EA]
*32	2061910	BRACKET PLASTIC	62	2060005	BEARING-HANDLE PIVOT [2.EA]
33	2060510	PIN-HINGE- ENDURA	Seal & O-ring Kit p/n 2883460		
*34	2061300	SCREW- CLAMP			

\* This item is part of an assembly. This item cannot be sold separately due to machining and /or assembly that is required.

/N 2064943 REV. C ECN30870 5-08

