

MAXXUM 70 RANGER

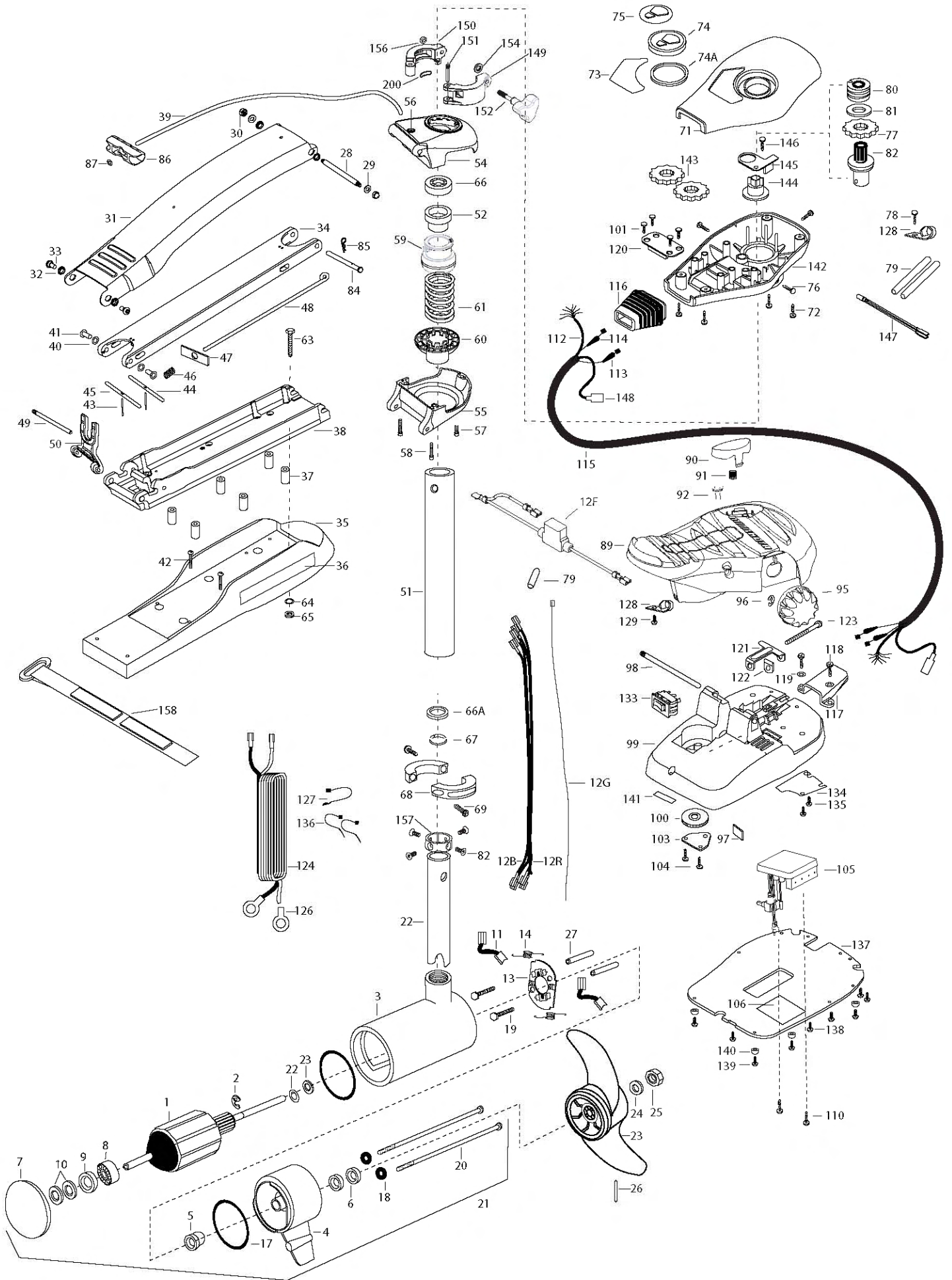
70 lbs Thrust

24 Volt 42 Amps

42" SHAFT

for use with "J" serial numbers

3-year warranty from the date of sale



| | | | | | | | | |
|-----|-----------|--|-----|---------|------------------------------------|-----|---------|-------------------------------------|
| 1 | 2-100-271 | ARMATURE ASSEMBLY 24V 4" | 48 | 2153602 | EYE SHAFT-2LOCKBAR STD | 101 | 2223430 | SCREW- #8X3/4 PPH TYPE 25 SS [4.EA] |
| 2 | 788-040 | RETAINING RING | 49 | 2260506 | HINGE-PIN HEADLESS ZINC | 103 | 2266400 | COVER- PULLEY |
| 3 | 2-200-160 | CENTER HOUSING ASSEMBLY 4.0 TXT | 50 | 2293811 | YOKE- MAXXUM MOUNT,POLYPROPYLENE | 104 | 2301310 | SCREW- 8-18 X 1/2 [4.EA] |
| 4 | 2-300-160 | BRUSH END HOUSING ASSEMBLY | ■ | 2992085 | TUBE W/BEARING RACE ASSEMBLY | 105 | 2264054 | CNTROL BOARD ASSEMBLY 24-36V MAX |
| 5 | 144-017 | BEARING- FLANGE (SERVICE ONLY) | 51 | 2272085 | TUBE OUTER-21" 4 HOLES | 106 | 2365107 | INSULATING PAD (2.3X3.2) |
| 6 | 880-025 | SEAL [2.EA] | 52 | 2266260 | BEARING RACE | 110 | 2223455 | SCREW- 10-32 X 1/2" [2.EA] |
| 7 | 421-276 | PLAIN END HOUSING ASSEMBLY | | | | 112 | 2261220 | WIRE HARNESS AT & MAX |
| 8 | 140-010 | BALL BEARING | ■ | 2991762 | BOWGUARD ASSEMBLY- FT CTRL,FW | 113 | 2267505 | CABLE ASSEMBLY- RIGHT (5') |
| 9 | 990-045 | THRUST SPACER | 54 | 2772319 | BRACKET BASE TOP/ EYELET ASSEMBLY | 114 | 2267515 | CABLE ASSEMBLY- LEFT (5') |
| 9 | 992-010 | SPRING WASHER | *55 | 2991771 | BRKT BOTTOM/BEARING FW ASSEMBLY | 115 | 2265430 | CABLE JACKET (5') |
| 10 | 186-094 | BRUSH [2.EA] | 56 | 2772352 | EYELET- KIT | 116 | 2265110 | BOOT- CONTROL BOX |
| 11 | 640-017 | LEADWIRE-BLACK 10 AWG 61 XLP | 57 | 2263423 | SCREW 5/16-18 X 1" SHCS ZINC | 117 | 2265115 | BOOT- FOOT PEDAL BASE |
| 12B | 640-121 | LEADWIRE-RED 10 AWG 62 1/2 | 58 | 2263425 | SCREW 5/16-18 X 2 1/2 SHCS [2.EA] | 118 | 2372100 | SCREW- 8-18X5/8 THD [2.EA] |
| 12R | 640-317 | BROWN GROUND WIRE (US MOTORS ONLY) | 59 | 2071541 | SPRING SLEEVE- UPPER | 119 | 2261714 | WASHER- MAXXUM FT PDL [2.EA] |
| 12G | 2218200 | FUSE HOLDER (US MOTORS ONLY) | 60 | 2071535 | SPRING SLEEVE- LOWER | 120 | 2261901 | BRACKET- CONDUIT |
| 12F | 738-040 | BRUSH PLATE 4" | 61 | 2262712 | SPRING- BOWGUARD, NIK PL | 121 | 2263210 | BRACKET- CONDUIT ADJUST |
| 13 | 975-041 | SPRING- TORSION [2.EA] | ■ | 2994830 | BAG ASSEMBLY- MAXXUM | 122 | 2263401 | NYLOCK KEEPER |
| 14 | 701-043 | O-RING [2.EA] | *63 | 2263431 | SCREW- 1/4-20 X 3.5 PPH [6.EA] | 123 | 2263463 | SCREW- 1/4-20X2" STL PPH |
| 15 | 830-027 | SCREW -SELF THREAD 10-32X2 [2.EA] | *64 | 2261713 | WASHER- 1/4 FLAT S/S [6.EA] | 124 | 2261233 | LEADWIRE- A/T VARIABLE |
| 16 | 830-094 | THRU BOLT 12-24X10.31 [2.EA] | *65 | 2263103 | NUT- 1/4-20 NYLOCK-JAM SS [6.EA] | 126 | 2020700 | TERMINAL RING- 3/8" [2.EA] |
| 17 | 701-009 | O-RING —THRU BOLT [2.EA] | 66 | 2266000 | BEARING BALL- STEEL | 127 | 2256300 | TIE WRAP- 5.5' BLACK |
| 18 | 990-051 | WASHER- STEEL | 66A | 2266116 | BEARING, CARTRIDGE | 128 | 2263201 | CLAMP WIRE HARNESS MICRO [2.EA] |
| 19 | 990-052 | WASHER- NYLATRON | *67 | 2266001 | BEARING, SPLIT RING | 129 | 2332103 | SCREW- 6-20X3/8 THD (SS) |
| 20 | 2316223 | MOTOR ASSEMBLY 24V F/W | *68 | 2261619 | COLLAR HALF- ZINC [2.EA] | 133 | 2254031 | SWITCH- MOM/OFF/CON |
| 21 | 2032003 | TUBE- COMPOSITE W/4 HOLE 42" | *69 | 2263452 | SCREW- 1/4-20X3/4 [2.EA] | 134 | 2266412 | SWITCH PLATE- FT PEDAL |
| 22 | 1378132 | PROPELLER KIT | 71 | 2260283 | CONTROL BOX COVER- MAXXUM | 135 | 2332103 | SCREW- 6-20X3/8 THD SS [2.EA] |
| 22 | 2331160 | PROPELLER W.WEDGE II | 72 | 2372100 | SCREW- 8-18 X 5/8 THD [4.EA] | 136 | 2256301 | TIE WRAP- 5.5" WHITE [2.EA] |
| 23 | 2091701 | WASHER- SS | 73 | 2265643 | DECAL- COVER MAX70/FC | 137 | 2774511 | BOTTOM PLATE- MAXXUM FT |
| 24 | 2093101 | NUT-PROP NYLOC | 74 | 2260150 | POINTER DISC TRNSLCNT RED | 138 | 9953104 | SCREW-8 X 1/2" (SS) [5.EA] |
| 25 | 2262658 | PIN-DRIVE | 74A | 2261733 | WASHER-FOAM, INDICATOR | 139 | 2263455 | SCREW- #12-14X1/2 THR FRM [4.EA] |
| 26 | 973-025 | SPACER- BRUSH PLATE [2.EA] | 75 | 2265800 | DECAL- INDICATOR | 140 | 2265126 | BUMPER PAD- FOOT PEDAL [4.EA] |
| 27 | 2262605 | PIN- BWGRD UPPER THREADED ZP | 76 | 2053414 | SCREW- 8-32 X 1/2 TRI-LOBE [3. EA] | 141 | 2266610 | DECAL- ON/OFF SWITCH |
| 28 | 2261722 | WASHER- FLAT [2.EA] | 77 | 2267800 | GEAR- INDICATOR | 142 | 2262535 | CONTROL BOX- PLASTIC |
| 29 | 2223100 | NUT- TENSION 5/16-18 SS [2.EA] | 78 | 2372100 | SCREW- 8-18 X 5/8 | 143 | 2267800 | GEAR- INDICATOR [2.EA] |
| 30 | 2771840 | MOUNT- BOW ASSEMBLY, STD FW MAX | 79 | 2355410 | SHRINK TUBE- 3/8 OD X 2" [2.EA] | 144 | 2262220 | INDICATOR- DRIVE |
| 31 | 2264241 | ARM-UPPER STD FW | 80 | 2232360 | PULLEY- CABLE DRUM | 145 | 2261905 | BRACKET/INDICATOR |
| 32 | 2293501 | BUSHING- STAINLESS STEEL [4.EA] | 81 | 2261730 | WASHER- NYLON A/T CON | 146 | 2301310 | SCREW- 8-18X1/2" |
| 33 | 2263500 | BOLT- SHOULDER MAXXUM [2.EA] | 82 | 2996247 | TOP BEARING RACE /PINION DRIVE | 147 | 2264015 | LIGHT/INDIOCATOR |
| 34 | 2774315 | ARM-LOWER ASSEMBLY,STD,FW,EXTRA [INCLUDES 39, 43-47, 86,87] | 83 | 2223468 | SCREW- 8-32 X 7/16 [4.EA] | 148 | 2211400 | EXTENSION CABLE- SONAR |
| 35 | 2263912 | MOTOR REST (STD) FW | 84 | 2262607 | PIN- CLEVIS ZP MAXXUM BWGRD | ■ | 2991556 | CLAMP COLLAR ASSEMBLY |
| 36 | 2265514 | DECAL- MAXXUM MOTOR REST [2.EA] | 85 | 2260805 | CLIP- SPRING ZP MAX BG | 149 | 2071550 | CLAMP COLLAR "A" |
| 37 | 2261505 | SPACER- MOTOR REST [6.EA] | 86 | 2150400 | PULL- GRIP | 150 | 2071555 | CLAMP COLLAR "B" |
| 38 | 2261505 | SPACER- MOTOR REST [6.EA] | 87 | 2151700 | WASHER- EYE SHAFT(.562 OD) | 151 | 2072621 | PIN-KNURLED |
| 38 | 2773987 | BOWPLATE- W/INSERT | 89 | 2994496 | FOOT PEDAL/PLUG ASSEMBLY | 152 | 2281505 | KNOB-CLAMP COLLAR |
| 39 | 2251601 | ROPE (40"), MAXXUM MOUNT | 90 | 2993705 | PUSH- BUTTON MAGNET ASSY | 154 | 2071718 | WASHER #10 NYLON RETAINING |
| 40 | 2261708 | WASHER- 3/8X1/2X.010 SS [2.EA] | 91 | 2302732 | SPRING- LOWER PEDAL | 156 | 2073102 | NUT - HEX 1/4 - 28 SS |
| 41 | 2267318 | BEARING NYLINER [2.EA] | 92 | 2260810 | CLIP, REED SWITCH | 157 | 2071560 | SPLIT COLLAR |
| 42 | 2263434 | SCREW, 8-18X1" PPH [2.EA] | 95 | 2280115 | KNOB- SPEED CONTROL (VAR) | 158 | 2263804 | STRAP - VELCRO 30.5" |
| 43 | 2152610 | SPRING- PIN LOCKBAR [2.EA] | 96 | 2263000 | E-RING THU-ARC | 200 | 2075120 | URETHANE PAD |
| 44 | 2233600 | LOCK BAR- BOW MOUNT | 97 | 2266413 | TENSION SCREW PLATE FT PEDAL | | | |
| 45 | 2233602 | LOCK BAR REAR - ZINC | *98 | 2260511 | PIN- PIVOT A/T FT PDL | | | |
| 46 | 2152700 | SPRING- LOCKBAR CAD.PLTD | 99 | 2774550 | FT PEDAL BASE/PIN ASSEMBLY | | | |
| 47 | 2262703 | SPRING STOP- MAXXUM | 100 | 2262301 | PULLEY- FOOT PEDAL | | | |

2889460 Seal & Oring Kit

Max 70 is 24-volt only!

OPTIONAL BROWN WIRE *
SEE BOAT WIRING DIAGRAM
FIL MARRON OPTIONNEL *
ÉQUIPÉS DE SONAR. VOYEZ LE SCHÉMA DE CÂBLAGE DU BATEAU.

