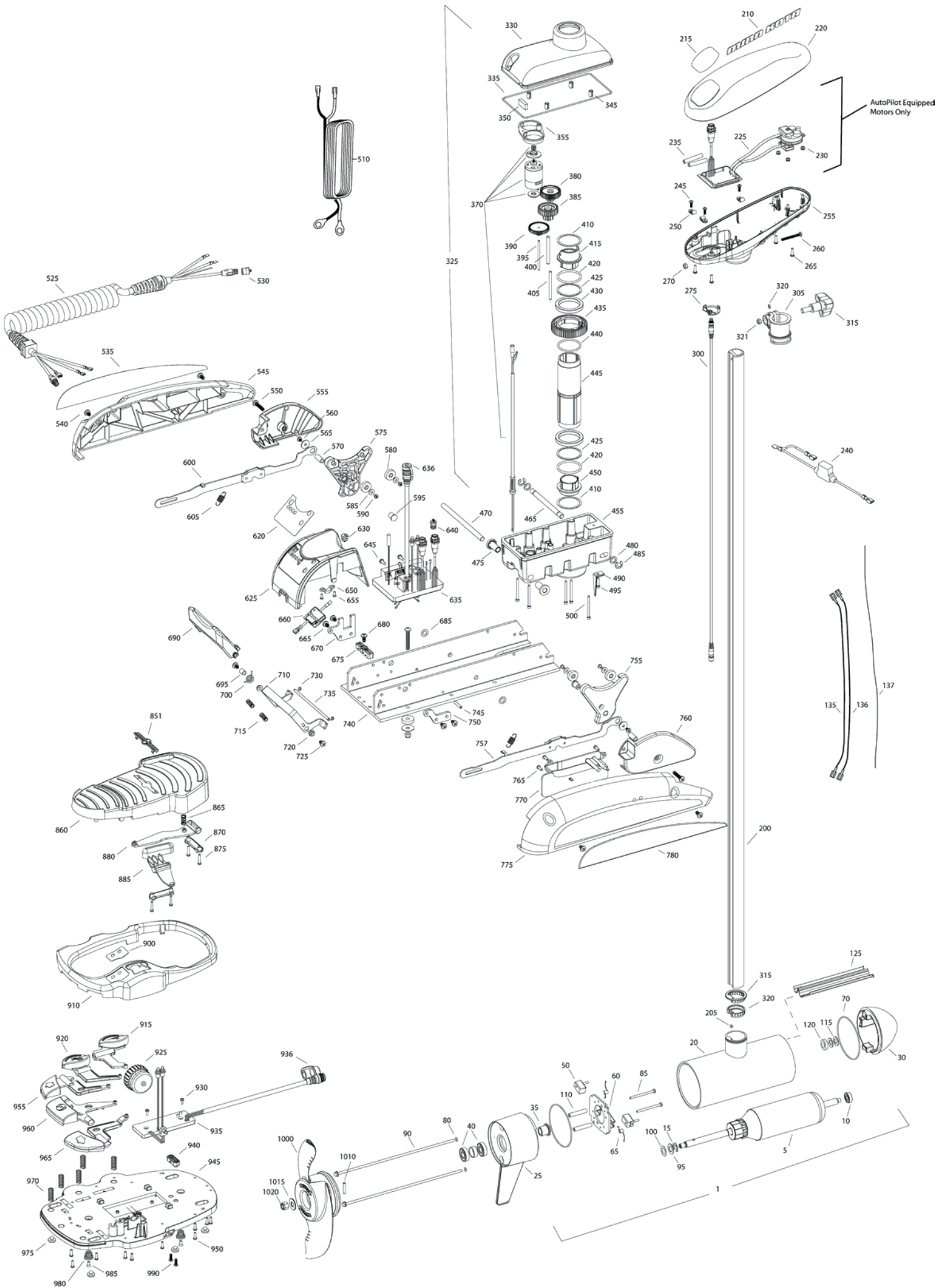


**80 TERROVA**  
**80 LBS THRUST**  
**24 VOLT 56 AMPS**  
**45", 54" OR 60" SHAFT**

for use with "J" serial numbers  
3-year warranty from the date of sale



| Item | P/N       | Description                        | Qty | Item | P/N     | Description                       | Qty | Item | P/N     | Description                     | Qty | Item | P/N     | Description                | Qty |
|------|-----------|------------------------------------|-----|------|---------|-----------------------------------|-----|------|---------|---------------------------------|-----|------|---------|----------------------------|-----|
| 1    | 2777002   | 24V Motor 60" FW                   | 1   | 300  | 2211415 | Universal sonar 2 extension cable | 1   | 595  | 2324705 | Insert, ramp                    | 2   | 940  | 2322900 | Strain relief, foot pedal  | 1   |
|      | 2777001   | 24V Motor 54" FW                   | 1   | 305  | 2771500 | Depth collar assembly             | 1   | 600  | 2994204 | Arm, release, left              | 1   | 945  | 2324500 | Base plate, foot pedal     | 1   |
|      | 2777000   | 24V Motor 45" FW                   | 1   | 315  | 2260906 | Knob (included in #305)           | 1   | 605  | 2322710 | Spring, extension               | 2   | 950  | 2301310 | Screw, #8 x .5             | 10  |
|      | 2777004   | 24V Motor US2 60"                  | 1   | 320  | 2321706 | Washer (included in #305)         | 1   | ■    | 2770250 | Cover, speed control with decal | 1   | 955  | 2323700 | Button, steer, left        | 1   |
|      | 2777003   | 24V Motor US2 54"                  | 1   | 321  | 2323102 | Nut (included in #305)            | 1   | 620  | 2325650 | Decal, speed control            | 1   | 960  | 2323705 | Button, momentary          | 1   |
|      | 2777005   | 24V Motor US2 45"                  | 1   | 325  | 2997020 | Steering housing                  | 1   | 625  | 2320210 | Cover, speed control            | 1   | 965  | 2323701 | Button, steer, right       | 1   |
| 5    | 2-100-214 | Armature assembly                  | 1   | 330  | 2326501 | Steering housing top              | 1   | 630  | 2322901 | Strain relief                   | 1   | 970  | 2322704 | Spring, foot pedal         | 5   |
| 10   | 140-010   | Bearing                            | 1   | 335  | 2324604 | O-ring, case seal                 | 1   | 635  | 2324012 | Control board, 24-36v           | 1   | 975  | 2994859 | Bumper, bag assy           | 1   |
| 15   | 788-040   | Retaining ring                     | 1   | 345  | 2305605 | Roll pin 5/16                     | 4   | 636  | 2320208 | Dust plug                       | 1   | 980  | 2322706 | Spring, barrel             | 2   |
| 20   |           | Included in #200 assembly          |     | 350  | 2308601 | Breather, filter                  | 1   | 640  | 2320203 | Cap, dust, control board        | 1   | 985  | 2323420 | Screw, 8-18 x .375         | 2   |
| 25   | 2-300-170 | Brush end housing assembly         | 1   | 355  | 2328610 | Cradle, motor                     | 1   | 645  | 2323406 | Screw, 10-24 x                  | 2   | 990  | 2372100 | Screw, 8-18 x .625         | 2   |
| 30   | 421-276   | Plain end housing assembly STD     | 1   | 370  | 2777020 | Motor, steering assembly          | 1   | 650  | 2321315 | Holder, connector               | 1   |      |         |                            |     |
|      | 9421-286  | Plain end housing US2 60"          | 1   | 380  | 2302255 | Gear, cluster 3rd stage           | 1   | 655  | 2332103 | Screw, 6-20 x .375              | 2   | ■    | 1378132 | Propeller kit WW2          |     |
|      | 9421-285  | Plain end housing US2 54"          | 1   | 385  | 2302250 | Gear, cluster 2nd stage           | 1   | 660  | 2074071 | Battery meter, 24v              | 1   | ■    | 2994876 | Propeller bag assy         |     |
|      | 9421-284  | Plain end housing US2 45"          | 1   | 390  | 2302245 | Gear, cluster 1st stage           | 1   | 665  | 2323402 | Screw, 1/4-20 x .375            | 4   | 1000 | 2331160 | Propeller WW2              | 1   |
| 35   | 144-017   | Flange bearing                     | 1   | 395  | 2302610 | Shaft, gear 1st stage             | 1   | 670  | 2321940 | Bracket, strain relief          | 1   | 1010 | 2262658 | Drive pin, large           | 1   |
| 40   | 880-025   | Seal                               | 2   | 400  | 2302620 | Shaft, gear 3rd stage             | 1   | 675  | 2321310 | Strain relief, wire             | 1   | 1015 | 2091701 | Washer, prop, large        | 1   |
| 50   | 188-094   | Brush                              | 2   | 405  | 2302615 | Shaft, gear 2nd stage             | 1   | 680  | 2323405 | Screw, 1/4-20 x .5              | 1   | 1020 | 2093101 | Nut, nylock, prop, large   | 1   |
| 60   | 2-600-199 | Brush plate assembly               | 1   | 410  | 2321704 | Washer, thrust                    | 2   | 685  | 2013100 | Speed nut, .375                 | 2   |      |         |                            |     |
| 65   | 975-041   | Brush spring                       | 2   | 415  | 2321515 | Liner, output tube                | 1   | 690  | 2320215 | Handle, release cover           | 1   | ■    | 2994864 | Mounting hardware bag assy |     |
| 70   | 701-043   | O-ring, motor                      | 2   | 420  | 2324608 | O-ring, 224                       | 2   | 695  | 2301700 | Bushing,                        | 1   |      |         |                            |     |
| 80   | 701-009   | O-ring, thru-bolt                  | 2   | 425  | 2321720 | Shim, O-ring                      | 2   | 700  | 2322701 | Spring, release handle          | 1   | ■    | 2889460 | Seal & Oring Kit           |     |
| 85   | 830-027   | Screw, 10-32 x 2                   | 2   | 430  | 2327308 | Bearing, ball sealed              | 2   | 710  | 2320400 | Handle, release FW              | 1   |      |         |                            |     |
| 90   | 830-094   | Thru-bolt                          | 2   | 435  | 2322200 | Gear, output                      | 1   | 715  | 2322712 | Spring, release handle          | 2   |      |         |                            |     |
|      | 830-095   | Thru-bolt, Sonar only              | 2   | 440  | 2324601 | O-ring, output gear               | 1   | 720  | 2322604 | Bushing, handle                 | 2   |      |         |                            |     |
| 95   | 990-051   | Washer, steel                      | 2   | 445  | 2322030 | Tube, output machined             | 1   | 725  | 2332104 | Screw, 1/4-20 x .625            | 2   |      |         |                            |     |
| 100  | 990-052   | Washer, nylatron                   | 2   | 450  | 2321510 | Collar, drive, bottom             | 1   | 730  | 2323000 | E-clip, 3/16, SS                | 2   |      |         |                            |     |
| 110  | 973-025   | Spacer, brush plate                | 2   | 455  | 2326506 | Steering housing, Bottom          | 1   | 735  | 2322606 | Pin, follower, handle           | 1   |      |         |                            |     |
| 115  | 992-010   | Washer, Belleville                 | 2   | 465  | 2322600 | Pin, latch, zp                    | 1   | 740  | 2321901 | Base extrusion, machined        | 1   |      |         |                            |     |
| 120  | 990-045   | Spacer, thrust                     | 1   | 470  | 2322602 | Pin, pivot, zp                    | 1   | 745  | 2322912 | Spring pin,                     | 2   |      |         |                            |     |
| 125  | 582-013   | Clip, retaining, short             | 1   | 475  | 2327310 | Bushing, pivot pin                | 2   | 750  | 2321950 | Bracket, sideplate              | 1   |      |         |                            |     |
| 135  | 640-025   | Leadwire, black                    | 1   | 480  | 2321702 | Washer, flat .375                 | 2   | 755  | 2323900 | Ramp, 4" right                  | 1   |      |         |                            |     |
| 136  | 640-133   | Leadwire, red                      | 1   | 485  | 2263011 | E-ring .375                       | 2   | 757  | 2994202 | Arm, release, Right             | 1   |      |         |                            |     |
| 137  | 640-317   | Groundwire, brown, US2 only        | 1   | 490  | 2322702 | Spring, latch pin                 | 2   | 760  | 2321920 | Skid, right                     | 1   |      |         |                            |     |
| 200  | 2777096   | Tube, composite 60" FW             | 1   | 495  | 2323410 | Screw, 8-32 x .75                 | 1   | 765  | 2301310 | Screw, 8-18 x .5                | 3   |      |         |                            |     |
| 205  |           | Included in #200 assembly          |     | 500  | 2323408 | Screw, 8-32 x 2                   | 7   | 770  | 2320220 | Cover, access, FW               | 1   |      |         |                            |     |
| 210  | 2325665   | Decal, cover                       | 2   | 510  | 2090651 | Leawire, 10 ga                    | 1   | 775  | 2321910 | Sideplate, right                | 1   |      |         |                            |     |
| 215  | 2325674   | Decal, ctrl box 80                 | 1   | 525  | 2991273 | Coil cord, 45"                    | 1   | 780  | 2325640 | Decal, sideplate, right         | 1   |      |         |                            |     |
|      | 2325675   | Decal, ctrl box 80 US2             | 1   |      | 2991271 | Coil cord, 54"                    | 1   | 850  | 2994720 | Foot pedal                      | 1   |      |         |                            |     |
|      | 2325676   | Decal, ctrl box 80 Autopilot       | 1   |      | 2991274 | Coil cord, US2, 45"               | 1   | 851  | 2326710 | Plug, foot pedal                | 1   |      |         |                            |     |
|      | 2325677   | Decal, ctrl box 80 Autopilot & US2 | 1   |      | 2991272 | Coil cord, US2, 54"               | 1   | 860  | 2324400 | Pedal, heel-toe                 | 1   |      |         |                            |     |
| 220  | 2320200   | Cover, ctrl box                    | 1   | 530  | 2320202 | Cap, dust, coil cord, non-AP only | 1   | 865  | 2322714 | Spring, momentary               | 1   |      |         |                            |     |
| 225  | 2324030   | Ctrl board, compass, Autpilot only | 1   | 535  | 2325641 | Decal, sideplate, left            | 1   | 870  | 2321300 | Clamp                           | 2   |      |         |                            |     |
| 230  | 2302960   | Grommet, compass, Autopilot only   | 3   | 540  | 2323404 | Screw, 1/4-20                     | 4   | 875  | 2223430 | Screw, 8 x .75                  | 4   |      |         |                            |     |
| 235  | 2065400   | Wire insulator                     | 2   | 545  | 2321915 | Sideplate, left                   | 1   | 880  | 2328600 | Flex finger                     | 1   |      |         |                            |     |
| 240  | 2218200   | Fuse holder, US2 only              | 1   | 550  | 2263426 | Screw, 1/4-20 x 1.25              | 2   | 885  | 2323710 | Button, momentary, left         | 1   |      |         |                            |     |
| 245  | 2372100   | Screw, 8-18 x .625                 | 3   | 555  | 2321925 | Skid, left                        | 1   | 900  | 2325660 | Decal, foot pedal               | 1   |      |         |                            |     |
| 250  | 2052510   | Cable clamp                        | 3   | 560  | 2323422 | Screw, 10-24 x .375               | 2   | 910  | 2320205 | Cover, heel-toe                 | 1   |      |         |                            |     |
| 255  | 2322500   | Ctrl box                           | 1   | 565  | 2321700 | Washer, #10 SS                    | 2   | 915  | 2323725 | Button, AP                      | 1   |      |         |                            |     |
| 260  | 2332102   | Screw, 10-24                       | 1   | 570  | 2327306 | Bushing, pivot                    | 2   | 920  | 2323715 | Button, Mom/Con                 | 1   |      |         |                            |     |
| 265  | 2372100   | Screw, 8-18 x .625                 | 4   | 575  | 2323905 | Ramp, 4" left                     | 1   | 925  | 2320100 | Knob, speed, foot pedal         | 1   |      |         |                            |     |
| 270  | 2333101   | Nut, 10-24                         | 1   | 580  | 2325115 | Pad, rubber rest                  | 4   | 930  | 2332103 | Screw, 6-20 x .375              | 2   |      |         |                            |     |
| 275  | 2224700   | Plug, ctrl box, US2 motors only    | 1   | 585  | 2321706 | Washer, #8                        | 4   | 935  | 2324020 | Control board, foot pedal       | 1   |      |         |                            |     |
|      | 2224702   | Plug, ctrl box                     | 1   | 590  | 2323412 | Screw, 8-18 x .25                 | 4   | 936  | 2320207 | Dust cap                        | 1   |      |         |                            |     |

\* This item is part of an assembly. This item cannot be sold separately due to machining and /or assembly that is required.

# Terra 80 is 24-volt only!

