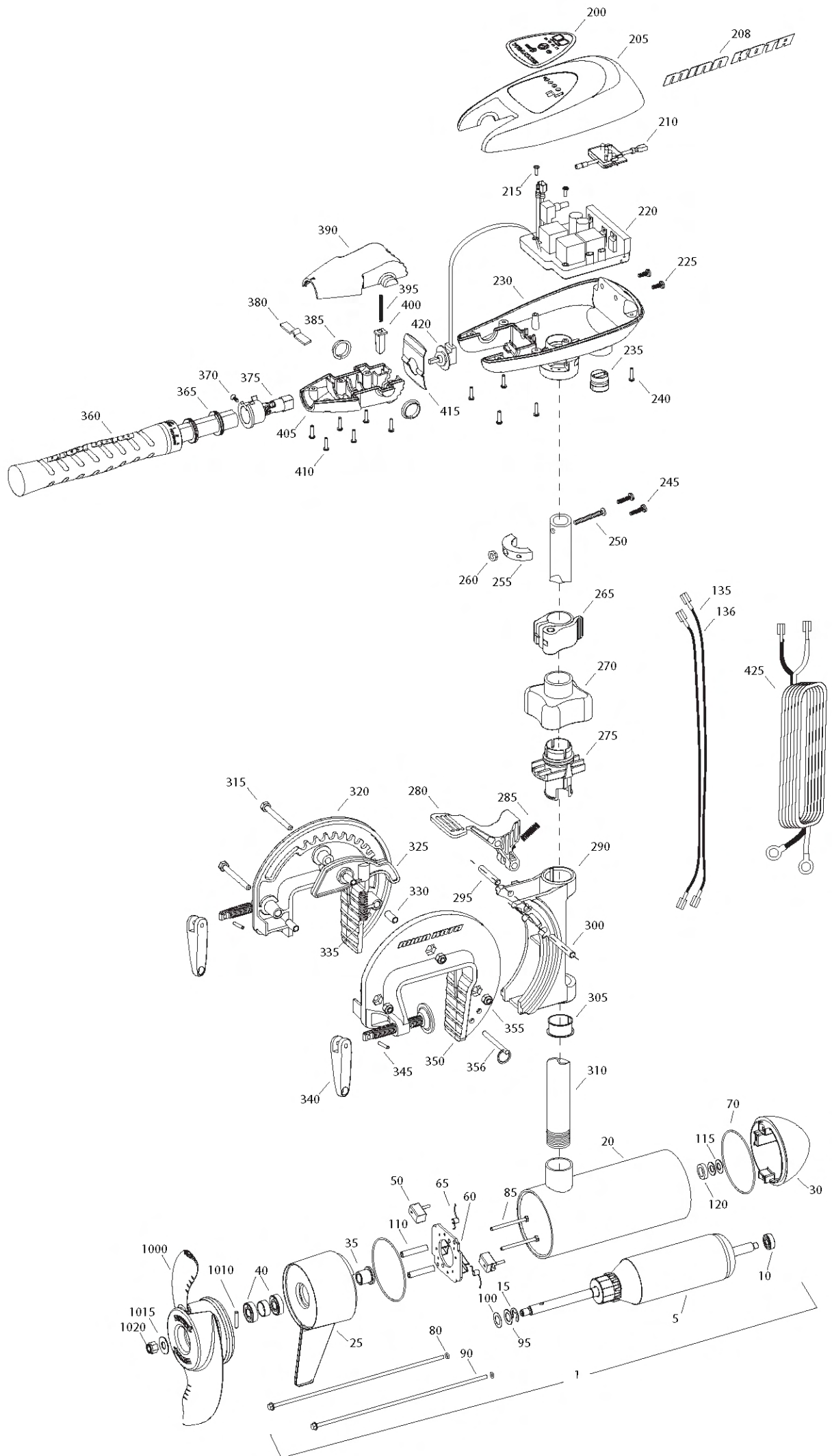


RT 101
101 LBS THRUST
36 VOLT 46 AMPS
52" SHAFT

for use with "J" serial numbers
3-year warranty from the date of sale



| Item | P/N | Description | Qty | Item | P/N | Description | Qty |
|------|-----------|----------------------------------|-----|------|---------|----------------------------------|-----------|
| 1 | 2316288 | 36V Motor 52" SW | 1 | 330 | 2067306 | Bushing, dowel 1/4 x 1/2 | 3 |
| 5 | 2-100-216 | Armature assembly | 1 | 335 | 2062700 | Spring, cam deactivator | 1 |
| 10 | 140-010 | Bearing | 1 | ■ | 2771303 | Clamp screw kit | 2 per kit |
| 15 | 788-040 | Retaining ring | 1 | 340 | 2050925 | Handle, clamp | 2 |
| 20 | 2-200-397 | Center housing assembly | 1 | 345 | 2052605 | Roll pin | 2 |
| 25 | 2-300-340 | Brush end housing assembly | 1 | 350 | 2771948 | Bracket, left, SW | 1 |
| 30 | 421-376 | Plain end housing assembly STD | 1 | 355 | 2263103 | Nut, 1/4-20, nylock, ss | 3 |
| 35 | 144-017 | Flange bearing | 1 | 356 | 2062604 | Pin, stop | 1 |
| 40 | 880-025 | Seal | 2 | | | | |
| 50 | 188-094 | Brush | 2 | ■ | 2990957 | Handle assy, VARS [360-410] | 1 |
| 60 | 9-738-004 | Brush plate assembly | 1 | 360 | 2990456 | Grip/handle assy, VARS [360-375] | 1 |
| 65 | 975-041 | Brush spring | 2 | 365 | 2060015 | Bearing, handle | 2 |
| 70 | 701-043 | O-ring, motor | 2 | 370 | 2063405 | Screw, #6 PFH SS | 1 |
| 80 | 701-009 | O-ring, thru-bolt | 2 | 375 | 2884092 | Yoke / spider assy, VARS | 1 |
| 85 | 830-027 | Screw, 10-32 x 2 | 2 | 380 | 2302742 | Spring, detent, off | 1 |
| 90 | 830-096 | Thru-bolt | 2 | 385 | 2060005 | Bearing, handle pivot | 2 |
| 95 | 990-051 | Washer, steel | 2 | 390 | 2060900 | Handle half, upper | 1 |
| 100 | 990-052 | Washer, nyatron | 2 | 395 | 2302745 | Spring, release button | 1 |
| 110 | 973-025 | Spacer, brush plate | 2 | 400 | 2063700 | Button, release | 1 |
| 115 | 992-010 | Washer, Belleville | 2 | 405 | 2060905 | Handle half, lower | 1 |
| 120 | 992-045 | Spacer, thrust | 1 | 410 | 2303412 | Screw, #6 x 5/8 SS | 6 |
| 135 | 640-018 | Leadwire, black | 1 | | | | |
| 136 | 640-123 | Leadwire, red | 1 | 415 | 2062715 | Spring, handle pivot | 1 |
| ■ | 2889460 | Seal and O-ring Kit | | 420 | 2061700 | Washer, pot holder | 1 |
| | | | | 425 | 2992523 | Leadwire assy, includes [235] | 1 |
| 200 | 2065604 | Decal, c-box cover | 1 | | | | |
| 205 | 2060296 | C-box cover | 1 | ■ | 1378132 | Propeller kit WW2 | |
| 208 | 2325666 | Decal - MinnKota | 2 | ■ | 2994876 | Propeller bag assy | |
| 210 | 2074082 | Battery meter, 36v SW | 1 | 1000 | 2331160 | Propeller WW2 | 1 |
| 215 | 3043427 | Screw, #8 x 7/8 SS | 2 | 1010 | 2262658 | Drive pin, large | 1 |
| 220 | 2184007 | Control board, 24/36 | 1 | 1015 | 2091701 | Washer, prop, large | 1 |
| 225 | 2303434 | Screw, #8-30 x 5/8 SS | 2 | 1020 | 2198401 | Nut, nylock, prop, Anode | 1 |
| 230 | 2062503 | Control box, VARS, SW | 1 | | | | |
| 235 | 2062905 | Strain relief | 1 | | | | |
| 240 | 2303412 | Screw, #6 x 5/8 SS | 6 | | | | |
| 245 | 2263434 | Screw, #8 x 1 SS | 2 | | | | |
| 250 | 2383407 | Screw, #10-24 x 2 SS | 1 | | | | |
| 255 | 2061517 | Collar, c-box | 1 | | | | |
| 260 | 2383124 | Nut, 10-24, nylock, SS | 1 | | | | |
| 265 | 2991521 | Cam lock/depth collar assy | 1 | | | | |
| ■ | 2991798 | Bracket assy, Aluminum [270-356] | 1 | | | | |
| 270 | 2060100 | Knob, steering tension, soft | 1 | | | | |
| 275 | 2068400 | Collet | 1 | | | | |
| 280 | 2064200 | Lock arm | 1 | | | | |
| 285 | 2062701 | Spring, lock arm | 1 | | | | |
| 290 | 2061820 | Hinge | 1 | | | | |
| 295 | 2062603 | Pin, lock, ss | 1 | | | | |
| 300 | 2062603 | Pin, lock, ss | 1 | | | | |
| 305 | 2037301 | Bushing, hinge | 1 | | | | |
| 310 | 2032032 | Tube 42" | 1 | | | | |
| 315 | 2063501 | Bolt 1/4-20 x 2 3/8", ss | 3 | | | | |
| 320 | 2771949 | Bracket, right, SW | 1 | | | | |
| 325 | 2067905 | Cam deactivator | 1 | | | | |

* This item is part of an assembly. This item cannot be sold separately due to machining and /or assembly that is required.

RT 101 is 36-volt only!

THIS IS A UNIVERSAL MULTI-VOLTAGE DIAGRAM. DOUBLE CHECK YOUR MOTORS VOLTAGE FOR PROPER CONNECTIONS

