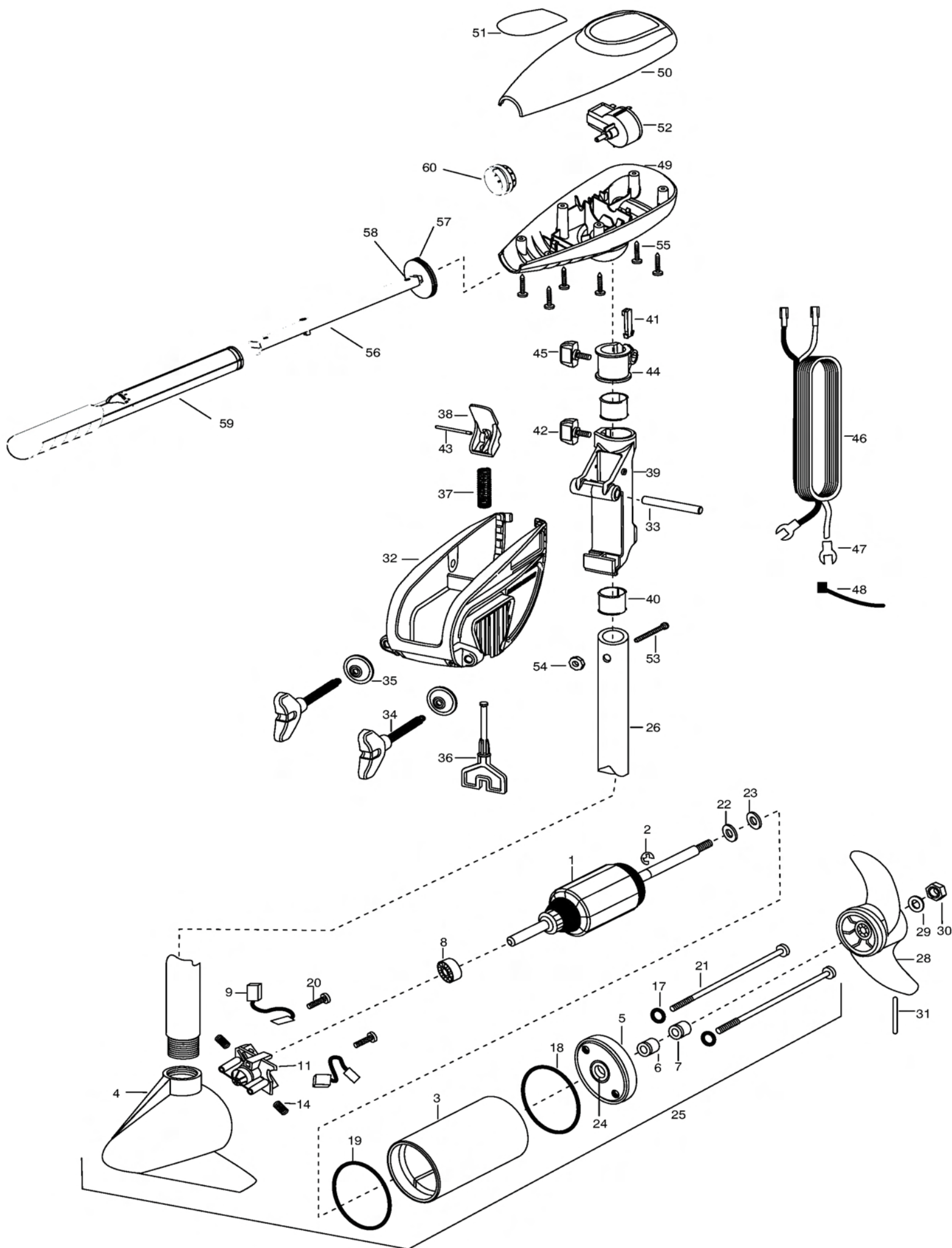


ENDURA 30
30 LBS THRUST
12 VOLT 30 AMPS
30" SHAFT

for use with "K" serial numbers
2-year warranty from the date of purchase



1	2-100-287	ARMATURE ASSEMBLY 12v 3.25 FW 30#	*34	2061300	SCREW-CLAMP [2.EA]
2	788-015	RETAINING RING	*35	2011710	WASHER-CLAMP SCREW [2.EA]
3	2-200-188	HOUSING ASSEMBLY CENTER 3.25 TXT	36	2063605	T-BAR, PLASTIC
4	2-300-142	BRUSH END HOUSING ASSEMBLY 3.25 SP.CO	37	2062706	SPRING- (T-BAR)
5	2-400-187	PLAIN END HOUSING ASSEMBLY 3.25	38	2067201	LEVER-TILT BLACK
6	880-003	SEAL	39	2061810	HINGE-PLASTIC
7	880-006	SEAL W/SHIELD	40	2037301	BUSHING-HINGE [2.EA]
8	140-010	BALL BEARING	41	2062800	TENSION BLOCK-SNAP IN
9	188-052	BRUSH ASSEMBLY [2.EA]	42	2011385	SCREW, TENSION/KNOB
11	738-030	BRUSH PLATE W/HOLDER 3.25	43	2060515	PIN, TILT LEVER
14	975-032	SPRING- COMPRESSION [2.EA]	44	2061520	COLLAR-DEPTH
17	701-007	O-RING- THRU BOLT [2.EA]	45	2011365	SCREW-COLLAR/NEW KNOB
18	701-039	O-RING MK406460	46	2020606	LEADWIRE (14 GA) W/SPADE TERM
19	701-041	O-RING	47	2020703	SPADE TERMINAL 14GA HD [2.EA]
20	830-001	SCREW- SELF THREAD 8-32X1.7 [2.EA]	48	2026300	TIE WRAP
21	830-062	THRU BOLT 8-32X8.0 [2.EA]	49	2062510	CONTROL BOX
22	990-067	WASHER- STEEL THRUST	50	2060214	CONTROL BOX COVER
23	990-070	WASHER- NYLATRON [2.EA]	51	2065638	DECAL COVER ENDURA 30
24	144-049	FLANGE BEARING (SERVICE ONLY)	52	2064023	SWITCH-FWD/REV 5 SP
25	2069270	MOTOR ASSEMBLY 12V 3.25 5SPC TXT	53	2033401	SCREW-10-24 X 1-3/4
26	2032045	TUBE, COMPOSITE 30"	54	2013110	NUT-10-24 HEX
■	1378121	PROP W/DRIVE PIN, WASHER, NUT KIT	55	2012100	SCREW-8-18 X 5/8 [6.EA]
28	2061122	PROPELLER 3.25 HUB DIA	56	2990919	INNER HANDLE ASSEMBLY
29	2151726	WASHER- 5/16 STD SS	57	2060405	PIVOT, HANDLE
30	2053101	NUT-PROP NYLOCK (MED) SS	58	2012102	SCREW
31	2092600	PIN-DRIVE	59	2990929	OUTER HANDLE ASSEMBLY
■	2771818	BRACKET & HINGE ASSEMBLY (INCLUDES- 32—43)	60	2060009	FRONT BEARING
■	2771910	BRACKET ASSEMBLY (INCLUDES- 32,34,35)	■	2883460	SEAL AND O RING KIT
*32	2061910	BRACKET			
33	2060510	PIN-HINGE			

* This item is part of an assembly. This item cannot be sold separately due to machining and /or assembly that is required.

