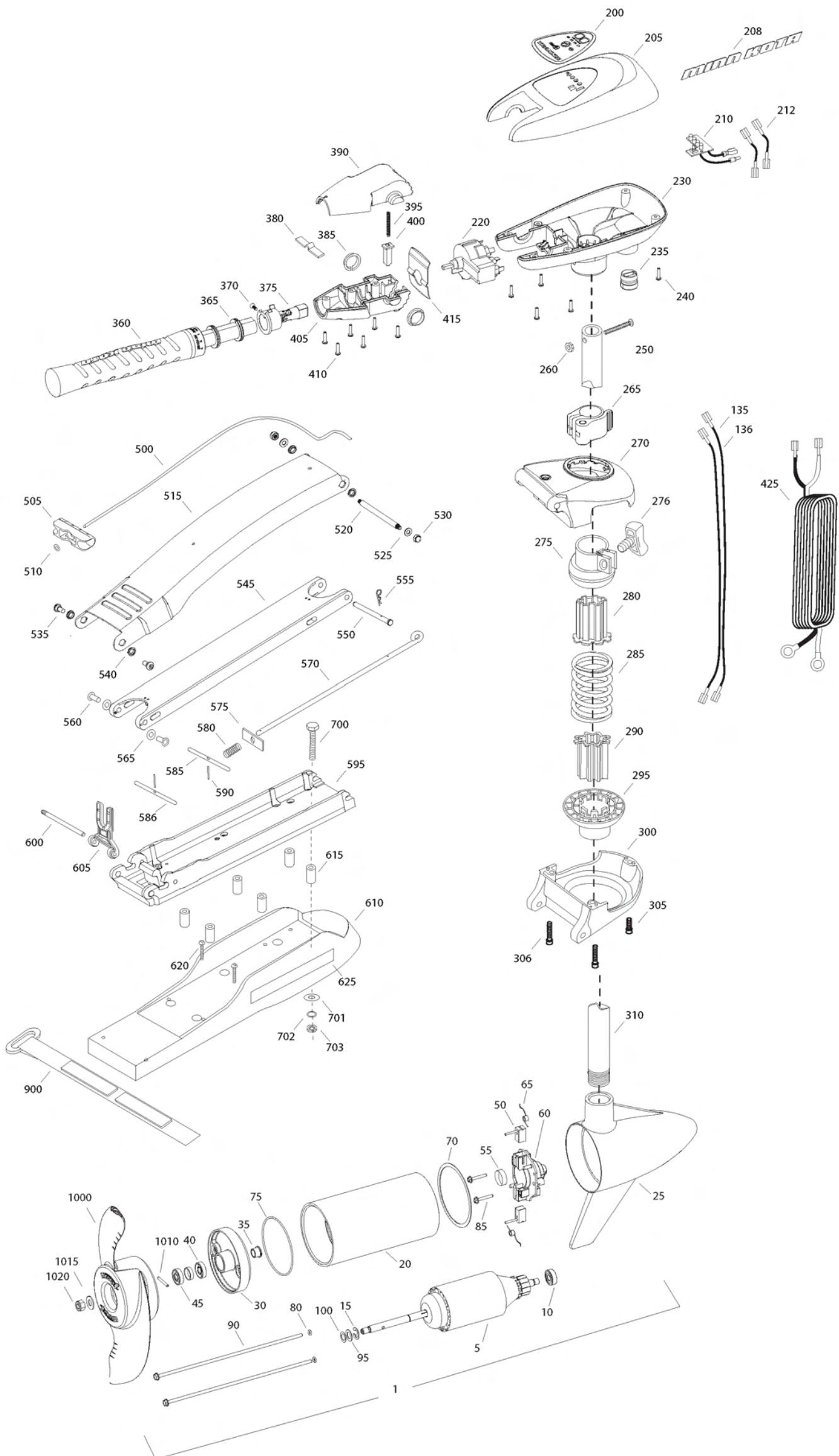


MAXXUM 70 SC hand control
70 LBS THRUST
24 VOLT 24 AMPS
52" SHAFT

for use with "K" serial numbers
2-year warranty from the date of purchase



Item	P/N	Description	Qty	Item	P/N	Description	Qty	Item	P/N	Description	Qty	Item	P/N	Description
1	2096039	24V Motor 42" FW	1	365	2060015	Bearing, handle	2	■	2994875	Propeller bag assy				
5	2-100-119	Armature assembly	1	370	2063405	Screw, #6 PFH SS	1	1000	2091160	Propeller WW2	1			
10	140-010	Bearing	1	375	2884091	Yoke / spider assy, 5SPD	1	1010	2092600	Drive pin, small	1			
15	788-015	Retaining ring	1	380	2302742	Spring, detent, off	1	1015	2151726	Washer, prop, small	1			
20	2-200-005	Center housing assembly	1	385	2060005	Bearing, handle pivot	2	1020	2053101	Nut, nylock, prop, small	1			
25	2-300-139	Brush end housing assembly	1	390	2060900	Handle pivot, top	1							
30	2-400-101	Plain end housing assembly	1	395	2302745	Spring, release button	1							
35	144-049	Flange bearing	1	400	2063700	Button, release	1							
40	880-003	Seal	1	405	2060905	Handle pivot, bottom	1							
45	880-006	Seal with shield	1	410	2303412	Screw, #6 x 5/8 SS	6							
50	188-037	Brush	2											
55	725-050	Paper tube	1	415	2062715	Spring, handle pivot	1							
60	738-036	Brush plate assembly	1	425	2992523	Leadwire assy	1							
65	975-040	Brush spring	2											
70	337-036	Gasket	1	■	2991840	Mount, Bow Assy W/ Bowguard	1							
75	701-081	O-ring, motor	1			[270-306], [500-625]								
80	701-008	O-ring, thru-bolt	2	500	2251601	Rope	1							
85	830-007	Screw, 8-32	2	505	2150400	Pull grip	1							
90	830-008	Thru-bolt	2	510	2151700	Washer	1							
95	990-067	Washer, steel	2	515	2264241	Arm, upper, std, fw	1							
100	990-070	Washer, nylatron	2	520	2262605	Pin, bowguard, upper	1							
135	640-006	Leadwire, black	1	525	9908236	Washer, 1/4", ZP	2							
136	640-115	Leadwire, red	1	530	2223100	Nut, 5/16-18 SS	2							
■	2888460	Seal and O-ring Kit		535	2263500	Bolt, shoulder	2							
				540	2293501	Bushing, SS	2							
200	2185614	Decal, c-box cover	1	545	2774307	Arm, Lower, std, fw	1							
205	2060295	C-box cover	1	550	2262607	Pin, clevis ZP	1							
208	2325665	Decal - MinnKota	2	555	2260805	Spring, clip	1							
210	2074071	Battery meter, 24v FW	1	560	2261318	Bushing, nyloner	2							
212	2070304	Wire, battery meter blk, 7"	1	565	2261708	Washer, spacer, .010 thk	2							
	2070305	Wire, battery meter red, 7"	1	570	2153602	Eyeshaft, ZP	1							
220	2064023	Switch 5 speed	1	575	2262703	Spring stop	1							
230	2062505	Control box, 5 SPD, FW	1	580	2152700	Spring, lock bar	1							
235	2062905	Strain relief	1	585	2233622	Lock bar, front, ZP	1							
240	2303412	Screw, #6 x 5/8 SS	6	586	2233620	Lock bar, back, ZP	1							
250	2383407	Screw, #10-24 x 2 SS	1	590	2152610	Spring pin	2							
260	2383124	Nut, 10-24, nylock, SS	1	595	2773987	Bowplate w/ insert, std, fw	1							
265	2991521	Cam lock/depth collar assy	1	600	2260506	Hinge pin, ZP	1							
				605	2293811	Yoke, Max	1							
■	2991760	Bowguard Assembly [270-306]	1	610	2263912	Motor rest, std, fw	1							
270	2261976	Bracket, top	1	615	2261505	Spacer, motor rest	6							
275	2261525	Spring sleeve, Upper	1	620	2263434	Screw, #8, SS	2							
276	2011365	Knob, collar	1	625	2265514	Decal, motor rest	2							
280	2264702	Tube insert, bowmount	2											
285	2262711	Spring, bowguard	1	■	2994830	Bag assembly	1							
295	2261535	Spring sleeve, Lower	1	700	2263431	Screw, 1/4-20 x 3 1/2" PPH, SS	6							
300	2991775	Bracket Assy, bottom	1	701	2301720	Washer, rubber mounting	6							
305	2263423	Screw, 5/16 x 1" SHCS ZP	1	702	2261713	Washer, 1/4 SS	6							
306	2263425	Screw, 5/16 x 2.5" SHCS ZP	2	703	2263101	Nut, 1/4-20 Nylock, SS	6							
310	2032068	Tube Composite 52"	1	900	2263804	Strap, hold down	1							
■	2990956	Handle assy, 5SPD [360-410]	1	■	1378131	Propeller kit WW2								
360	2990456	Grip/handle assy, 5SPD [360-375]	1											

* This item is part of an assembly. This item cannot be sold separately due to machining and /or assembly that is required.

Max 70 is 24-volt only!

12-24 VOLT 5 SPEED MODELS MODÈLES 12-24 V INTERRUPTEUR

**THIS IS A UNIVERSAL MULTI-VOLTAGE DIAGRAM. DOUBLE CHECK YOUR MOTORS VOLTAGE FOR PROPER CONNECTIONS
CECI EST UN SCHEMA À TENSION MULTIPLE UNIVERSEL. REVÉRIFIEZ LA TENSION DE VOTRE MOTEUR POUR BIEN LE BRANCHER.**

FIVE SPEED SWITCH INTERRUPTEUR A CING VITESSES

