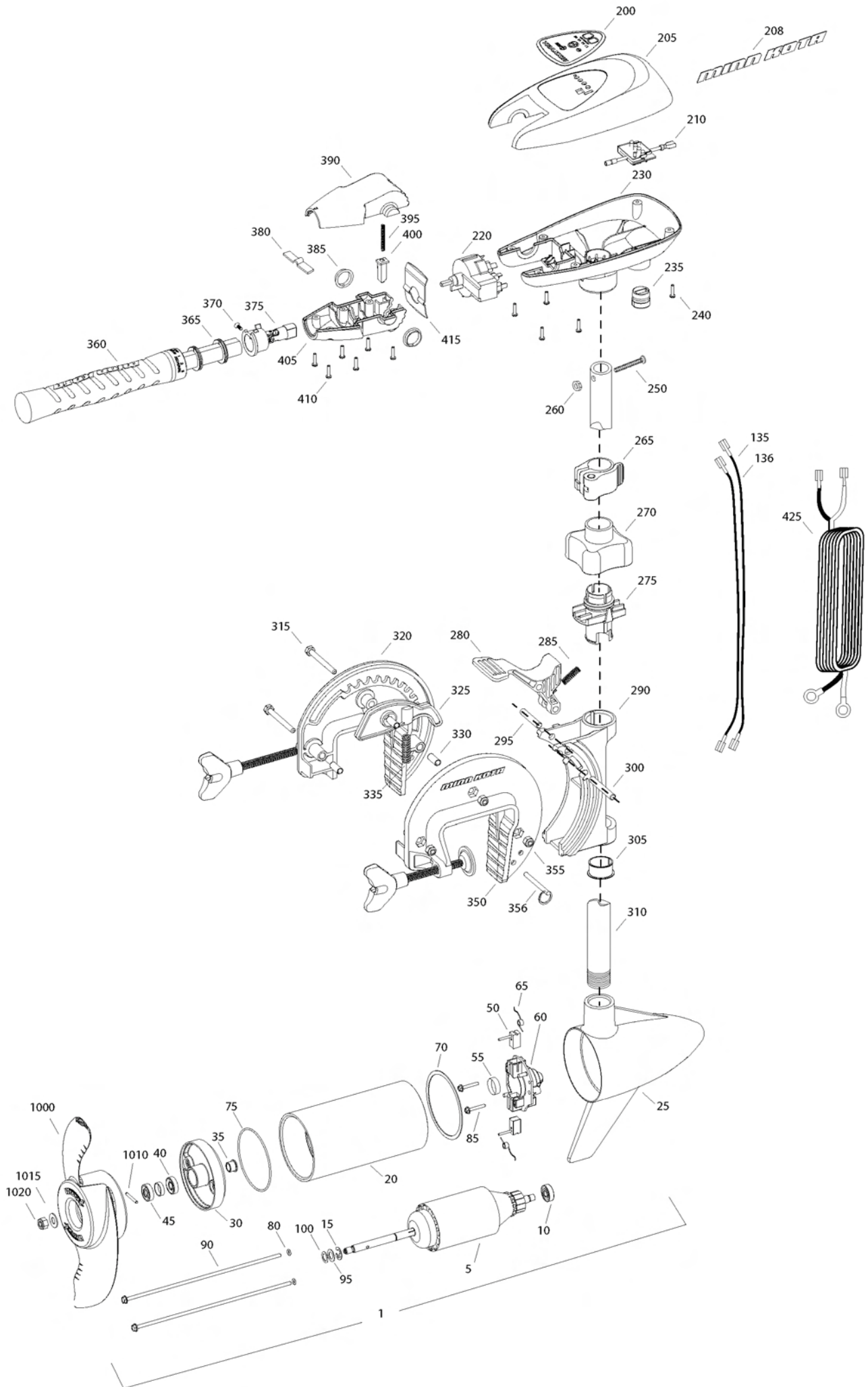


Riptide 40 SC
40 LBS THRUST
12 VOLT 42 AMPS
36" SHAFT

for use with "K" serial numbers
 2-year warranty from the date of purchase



Item	P/N	Description	Qty	Item	P/N	Description	Qty
1	2068254	12V Motor 36" SW	1	355	2263103	Nut, 1/4-20, nylock, ss	3
5	2-100-201	Armature assembly	1	356	2062604	Pin, stop	1
10	140-010	Bearing	1				
15	788-015	Retaining ring	1	■	2990956	Handle assy, 5SPD [360-410]	1
20	2-200-379	Center housing assembly	1	360	2990456	Grip/handle assy, 5SPD [360-375]	1
25	2-300-332	Brush end housing assembly	1	365	2060015	Bearing, handle	2
30	2-400-187	Plain end housing assembly	1	370	2063405	Screw, #6 PFH SS	1
35	144-049	Flange bearing	1	375	2884091	Yoke / spider assy, 5SPD	1
40	880-003	Seal	1	380	2302742	Spring, detent, off	1
45	880-006	Seal with shield	1	385	2060005	Bearing, handle pivot	2
50	188-052	Brush	2	390	2060900	Handle pivot, top	1
55	N/A			395	2302745	Spring, release button	1
60	738-030	Brush plate assembly	1	400	2063700	Button, release	1
65	975-032	Brush spring	2	405	2060905	Handle pivot, bottom	1
70	701-041	O-ring, motor, front	1	410	2303412	Screw, #6 x 5/8 SS	6
75	701-039	O-ring, motor, rear	1				
80	701-007	O-ring, thru-bolt	2	415	2062715	Spring, handle pivot	1
85	830-001	Screw, 8-32	2	425	2992524	Leadwire assy, includes [235]	1
90	830-078	Thru-bolt	2				
95	990-067	Washer, steel	2	■	1378121	Propeller kit WW2	
100	990-070	Washer, nylatron	2	1000	2061122	Propeller WW2	1
135	640-001	Leadwire, black	1	1010	2092600	Drive pin, small	1
136	640-111	Leadwire, red	1	1015	2151726	Washer, prop, small	1
■	2883460	Seal and O-ring Kit		1020	2198400	Nut, nylock, prop, Anode	1
200	2095600	Decal, c-box cover	1				
205	2060296	C-box cover	1				
208	2325666	Decal - MinnKota	2	■	2883460	Seal & Oring Kit	1
210	2074080	Battery meter, 12v SW	1				
220	2064023	Switch 5 speed	1				
230	2062506	Control box, 5 SPD, SW	1				
235	2062905	Strain relief	1				
240	2303412	Screw, #6 x 5/8 SS	6				
250	2383407	Screw, #10-24 x 2 SS	1				
260	2383124	Nut, 10-24, nylock, SS	1				
265	2991521	Cam lock/depth collar assy	1				
■	2991797	Bracket assy, Composite [270-356]	1				
270	2060100	Knob, steering tension, soft	1				
275	2068400	Collet	1				
280	2064200	Lock arm	1				
285	2062701	Spring, lock arm	1				
290	2061821	Hinge	1				
295	2062603	Pin, lock, ss	1				
300	2062603	Pin, lock, ss	1				
305	2037301	Bushing, hinge	1				
310	2032031	Tube 36"	1				
315	2063501	Bolt 1/4-20 x 2 3/8", ss	3				
320	2771950	Bracket, right, FW	1				
325	2067905	Cam deactivator	1				
330	2067306	Bushing, dowel 1/4 x 1/2	3				
335	2062700	Spring, cam deactivator	1				
■	2881380	Clamp screw kit	2 per kit				
350	2771955	Bracket, left, FW	1				

* This item is part of an assembly. This item cannot be sold separately due to machining and /or assembly that is required.

Riptide 40 is 12-volt only!

THIS IS A UNIVERSAL MULTI-VOLTAGE DIAGRAM. DOUBLE CHECK YOUR MOTORS VOLTAGE FOR PROPER CONNECTIONS

FIVE SPEED SWITCH
INTERRUPTEUR A CING VITESSES

