

Trim Tabs & Trim-N-Troll
 3-year warranty from the date of purchase

Item	P/N	Description	Qty	Item	P/N	Description	Qty
5	2374613	O-ring, upper mount	1	90	2996519	Motor control unit	1
6	2371924	Bracket, upper mount	1	91	2370734	Network splitter	1
7	2372917	Strain relief	1	92	2994025	Remote transmitter	1
8	2373429	Shoulder screw	2	100	2397234	Motor Assembly 80#	1
9	2372640	Pin, upper mount	1		2397251	Motor Assembly 101#	1
10	2371906	Bracket, mounting , transom	1	105	2374630	Fitting, NPT 1/2"	1
12	2374619	Bulkhead	1	110	421-333	Brush end housing	1
15	2373490	Screw 1/4 - 14 x 1 1/4	9	115	992-010	Spring Washer	2
20	2374631	O-ring, Sealcon	1	120	990-045	Thrust spacer	1
25	2374630	Fitting - NPT 1/2"	1	125	2-600-233	Brush plate assembly	1
30	2263006	E-ring, 5/16 ss	4	130	975-041	Spring, brush, tortion	2
31	2373020	Snap-ring, 5/16ss	2	135	186-094	Brush	2
35	2372640	Pin, upper mount	1	140	830-029	Screw, brush plate	2
40	2992801	Actuator assembly, standard	1	145	140-010	Bearing	1
	2992805	Actuator assembly, short	1	150	2-100-233	Armature assembly 80#	1
41	2992800	Actuator assembly, long	1		2-100-230	Armature assembly 101#	1
50	2262665	Pin, lower mount	1	155	990-051	Washer, steel	1
55	2371908	Mount, lower	1	160	990-045	Washer, nylontron	1
60	2778700	Tab, 9x9 assembly [55-75]	1	165	701-043	O-ring, housing	2
	2778701	Tab, 9x12 assembly [55-75]	1	170	2-200-333	Center housing 80#	1
	2778702	Tab, 9x18 assembly [55-75]	1		2-200-330	Center housing 101#	1
	2778710	Tab, 12x9 assembly [55-75]	1	175	2-300-341	Plain end housing	1
	2778711	Tab, 12x12 assembly [55-75]	1	180	701-009	O-ring- thru-bolts	2
	2778712	Tab, 12x18 assembly [55-75]	1	185	830-095	Thru-bolt 80#	2
65	2371800	Hinge, 9" [included in 60]	1		830-098	Thru-bolt 101#	2
	2371801	Hinge, 12" [included in 60]	1	190	836-001	Plug, pipe	1
	2371802	Hinge, 18" [included in 60]	1				
70	2333101	Nut, 10-24 Nylock	as required	200	1378132	Propeller kit	1
75	2373406	Screw, 10-24 x 5/8	as required	205	2331160	Propeller W. Wedge 2	1
76	2373423	Screw, 10-24 X 3/4 SHCS	4	210	2091701	Washer - prop, large	1
■	1863700	Trim tab rocker switch kit [80-81]		215	2198401	Anode, Nut	1
80	2994042	Soft rocker switch assembly	1				
81	2994077	Basic switch control module	1	220	2370739	Adhesive filled butsplice 18-22 ga	6
85	2994056	Indicator switch assembly	1	225	2370738	Adhesive filled butsplice 14-16 ga	4
	2994057	Auxiliary switch assembly	1				
86	2373230	Network extension cable, 5'	1	■	2994885	Switch mounting hardware	1
	2373231	Network extension cable, 10'	1			(NOT SHOWN)	
	2373232	Network extension cable, 25'	1				
87	2996517	Indicator Switch control module	1				

BASIC SWITCH



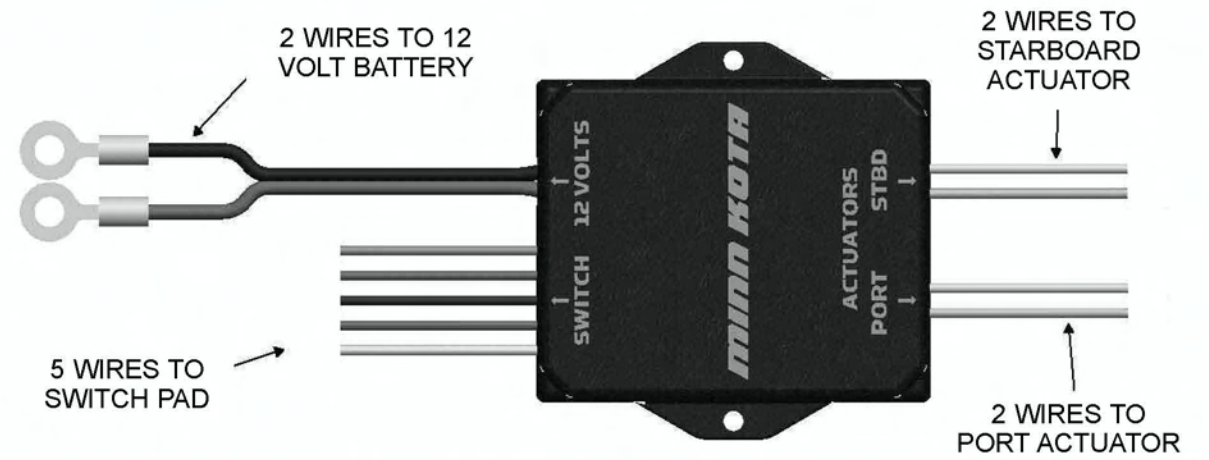
25' CABLE TO CONTROL MODULE

INDICATOR SWITCH

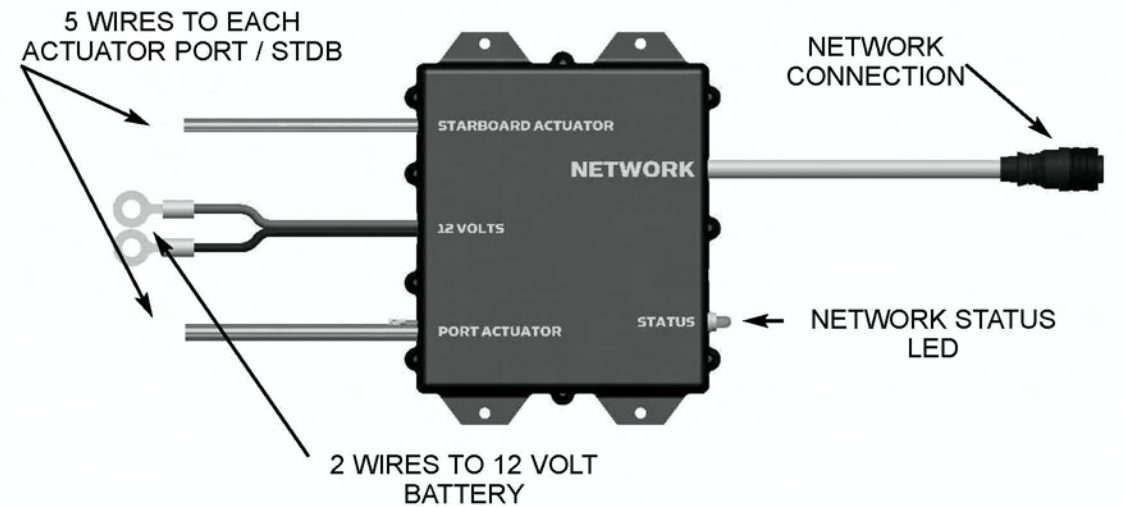
25' NETWORK CABLE TO CONTROL MODULE



BASIC SWITCH CONTROL MODULE

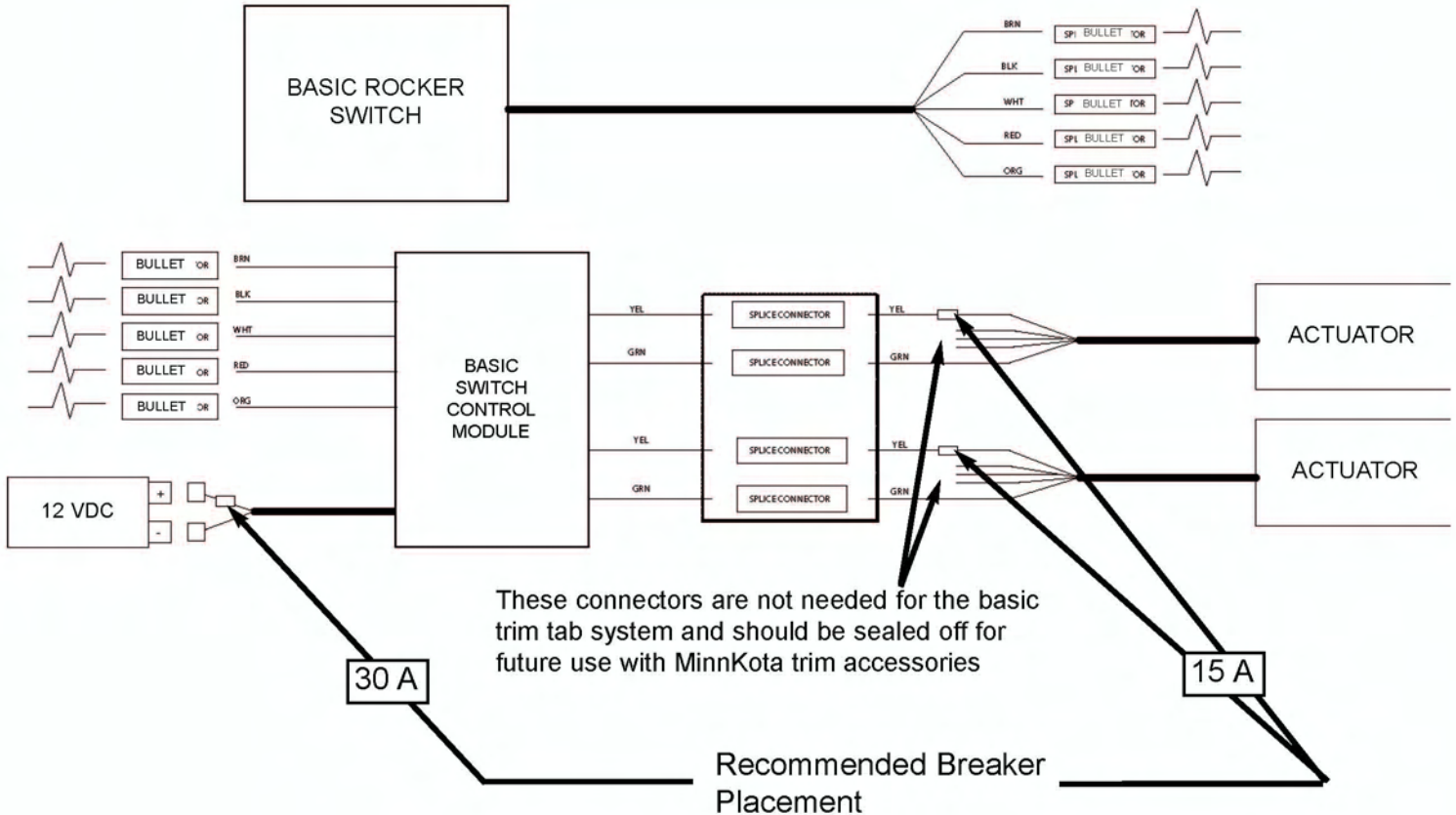


INDICATOR SWITCH CONTROL MODULE



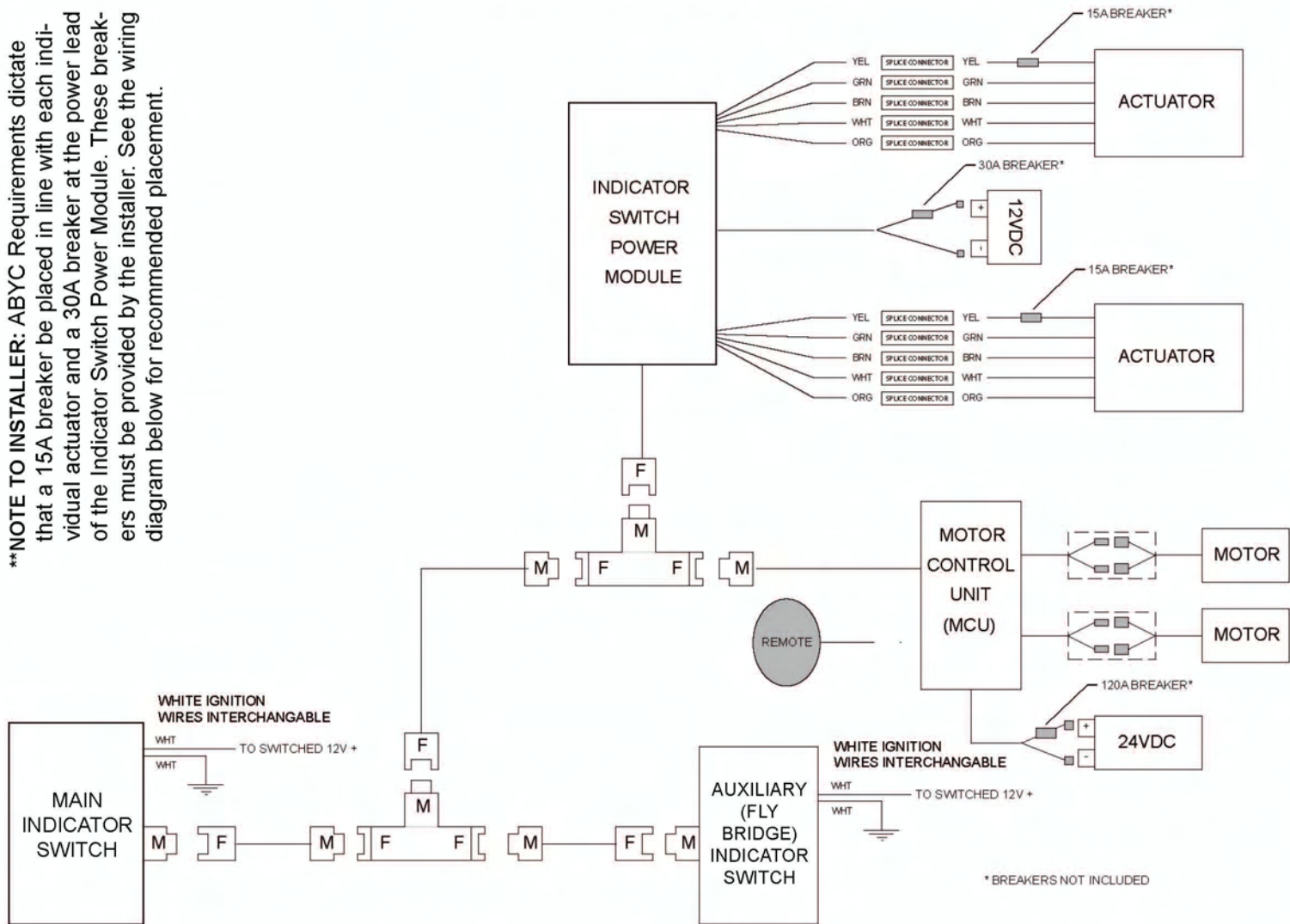
****NOTE TO INSTALLER:** ABYC Requirements dictate that a 15A breaker be placed in line with each individual actuator and a 30A breaker at the power lead of the Basic Switch Control Module. These breakers must be provided by the installer. See the wiring diagram below for recommended placement.

Basic Switch Trim Tab System



Indicator Switch Trim Tab System

****NOTE TO INSTALLER:** ABYC Requirements dictate that a 15A breaker be placed in line with each individual actuator and a 30A breaker at the power lead of the Indicator Switch Power Module. These breakers must be provided by the installer. See the wiring diagram below for recommended placement.



* BREAKERS NOT INCLUDED