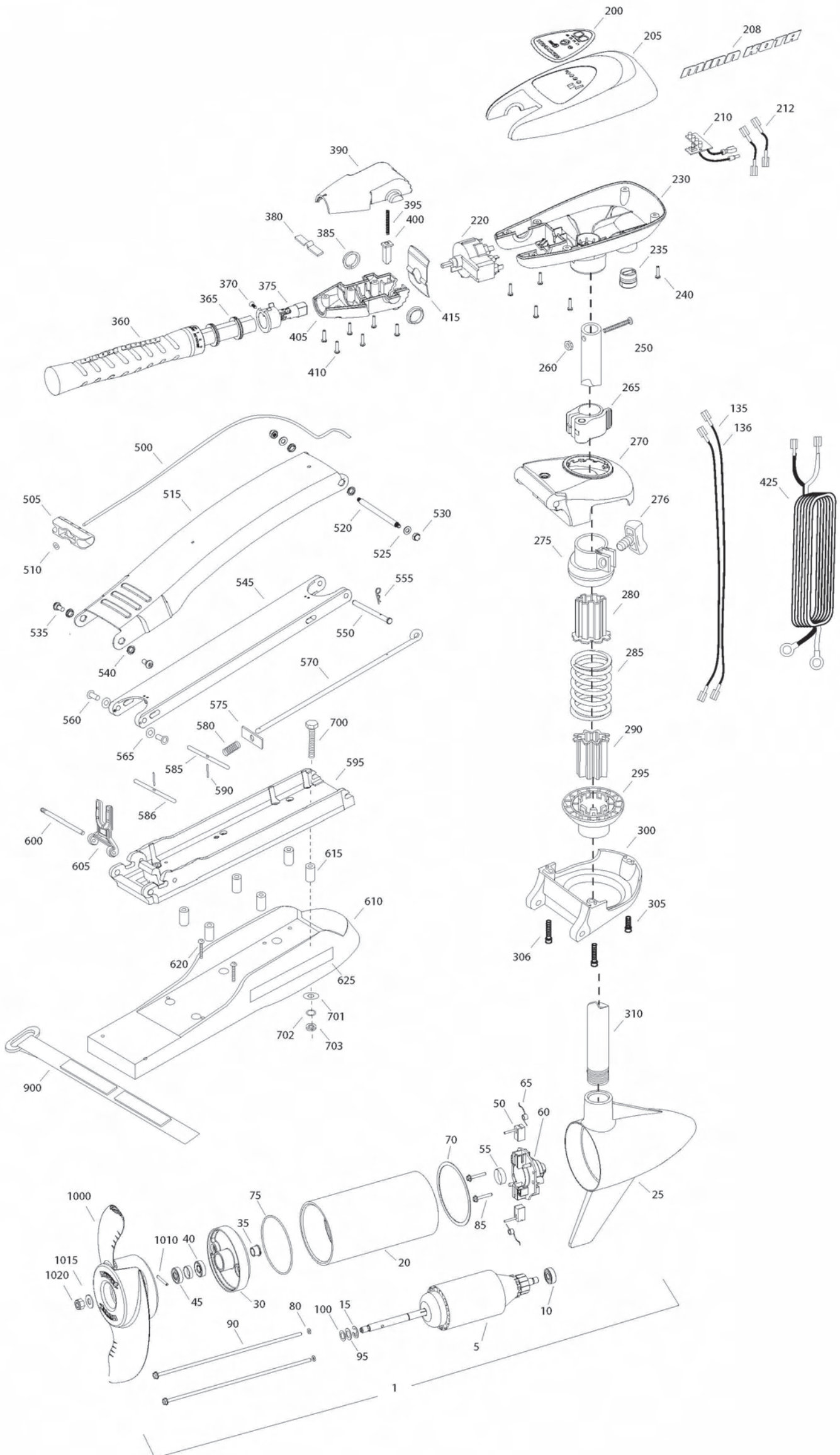


**MAXXUM 55/SC/HC**  
55 LBS THRUST  
12 VOLT 50 AMPS  
52" SHAFT

for use with "L" serial numbers  
2-year warranty



In the U.S.A., replacement parts may be ordered directly from MINN KOTA Parts Dept., 121 Power Drive, P.O. Box 8129 Mankato, Minnesota 56002-8129. In Canada, parts may be ordered from any of the Canadian Authorized Service Centers shown on the enclosed list. Be sure to provide the MODEL and SERIAL numbers of your motor when ordering parts. Please use the correct part numbers from the parts list. Payment for any parts ordered from the MINN KOTA parts department, may be by cash, personal check, Discover Card, MasterCard or VISA. To order, call 1-800-227-6433 or FAX 1-800-527-4464.

Fuera de los Estados Unidos, consultar la lista anexa para ubicar el Centro de servicio autorizado MINN KOTA. No dejar de incluir el número del MODELO y el número de SERIE del motor para el cual se solicitan las piezas. Usar siempre los números de pieza correctos indicados en la lista de piezas.

Item	P/N	Description	Qty	Item	P/N	Description	Qty	Item	P/N	Description	Qty	Item	P/N	Description	Qty
1	2097099	12V Motor 36" FW	1	■	2990956	Handle assy, 5SPD [360-410]	1	■	1378131	Propeller kit WW2					
5	2-100-121	Armature assembly	1	360	2990451	Grip/handle assy, 5SPD [360-375]	1	■	2994875	Propeller bag assy					
10	140-010	Bearing	1	365	2060015	Bearing, handle	2	1000	2091160	Propeller WW2	1				
15	788-015	Retaining ring	1	370	2063405	Screw, #6 PFH SS	1	1010	2092600	Drive pin, small	1				
20	2-200-101	Center housing assembly	1	375	2884091	Yoke / spider assy, 5SPD	1	1015	2151726	Washer, prop, small	1				
25	2-300-199	Brush end housing assembly	1	380	2302742	Spring, detent, off	1	1020	2053101	Nut, nylock, prop, small	1				
30	2-400-101	Plain end housing assembly	1	385	2060005	Bearing, handle pivot	2								
35	144-049	Flange bearing	1	390	2060900	Handle pivot, top	1								
40	880-003	Seal	1	395	2302745	Spring, release button	1								
45	880-006	Seal with shield	1	400	2063700	Button, release	1								
50	188-036	Brush	2	405	2060905	Handle pivot, bottom	1								
55	725-050	Paper tube	1	410	2303412	Screw, #6 x 5/8 SS	6								
60	738-036	Brush plate assembly	1												
65	975-040	Brush spring	2	415	2062715	Spring, handle pivot	1								
70	337-036	Gasket	1	425	2992523	Leadwire assy	1								
75	701-081	O-ring, motor	1												
80	701-008	O-ring, thru-bolt	2	■	2991840	Mount, Bow Assy W/ Bowguard [270-306], [500-625]	1								
85	830-007	Screw, 8-32	2												
90	830-042	Thru-bolt	2	500	2251601	Rope	1								
95	990-067	Washer, steel	2	505	2150400	Pull grip	1								
100	990-070	Washer, nylon	2	510	2151700	Washer	1								
135	640-006	Leadwire, black	1	515	2264241	Arm, upper, std, fw	1								
136	640-115	Leadwire, red	1	520	2262605	Pin, bowguard, upper	1								
■	2888460	Seal and O-ring Kit		525	9908236	Washer, 1/4", ZP	2								
				530	2223100	Nut, 5/16-18 SS	2								
200	2185613	Decal, c-box cover	1	535	2263500	Bolt, shoulder	2								
205	2060295	C-box cover	1	540	2293501	Bushing, SS	2								
208	2325665	Decal - MinnKota	2	545	2994307	Arm, Lower, std, fw	1								
210	2074070	Battery meter, 12v FW	1	550	2262607	Pin, clevis ZP	1								
212	2070304	Wire, battery meter blk, 7"	1	555	2260805	Spring, clip	1								
	2070305	Wire, battery meter red, 7"	1	560	2261318	Bushing, nylon	2								
220	2064028	Switch 5 speed	1	565	2261708	Washer, spacer, .010 thk	2								
230	2062505	Control box, 5 SPD, FW	1	570	2153602	Eyeshaft, ZP	1								
235	2062905	Strain relief	1	575	2262703	Spring stop	1								
240	2303412	Screw, #6 x 5/8 SS	6	580	2152700	Spring, lock bar	1								
250	2383407	Screw, #10-24 x 2 SS	1	585	2233622	Lock bar, front, ZP	1								
260	2383124	Nut, 10-24, nylock, SS	1	586	2233620	Lock bar, back, ZP	1								
265	2991521	Cam lock/depth collar assy	1	590	2152610	Spring pin	2								
				595	2773987	Bowplate w/ insert, std, fw	1								
■	2991760	Bowguard Assembly [270-306]	1	600	2260506	Hinge pin, ZP	1								
270	2261976	Bracket, top	1	605	2293811	Yoke, Max	1								
275	2261525	Spring sleeve, Upper	1	610	2263912	Motor rest, std, fw	1								
276	2011365	Knob, collar	1	615	2261505	Spacer, motor rest	6								
280	2264702	Tube insert, bowmount	2	620	2263434	Screw, #8, SS	2								
285	2262711	Spring, bowguard	1	625	2265514	Decal, motor rest	2								
295	2261535	Spring sleeve, Lower	1												
300	2991775	Bracket Assy, bottom	1	■	2994830	Bag assembly	1								
305	2263423	Screw, 5/16 x 1" SHCS ZP	1	700	2263431	Screw, 1/4-20 x 3 1/2" PPH, SS	6								
306	2263425	Screw, 5/16 x 2.5" SHCS ZP	2	701	2301720	Washer, rubber mounting	6								
				702	2261713	Washer, 1/4 SS	6								
310	2032068	Tube Composite 52"	1	703	2263101	Nut, 1/4-20 Nylock, SS	6								
				900	2263804	Strap, hold down	1								

\* This item is part of an assembly. This item cannot be sold separately due to machining and /or assembly that is required.

# Maxxum 55 is 12-volt only!

**THIS IS A UNIVERSAL MULTI-VOLTAGE DIAGRAM. DOUBLE CHECK YOUR MOTORS VOLTAGE FOR PROPER CONNECTIONS**  
**CECI EST UN SCHÉMA À TENSION MULTIPLE UNIVERSEL. RÉVÉRIFIEZ LA TENSION DE VOTRE MOTEUR POUR BIEN LE BRANCHER.**

Over-Current Protection Devices not shown in illustrations.  
Les Artifices de Protection Suractuels non montrés en illustrations.

## FIVE SPEED SWITCH INTERRUPTEUR A CING VITESSES

